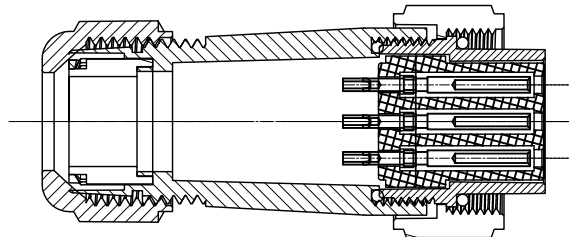
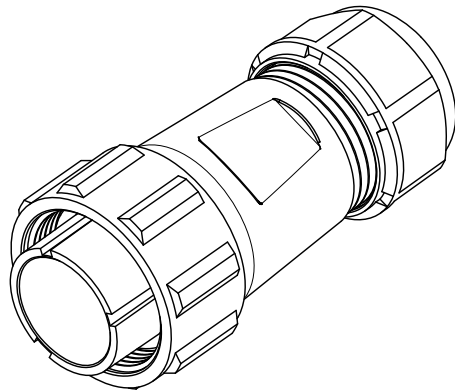
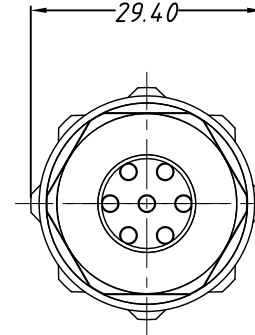
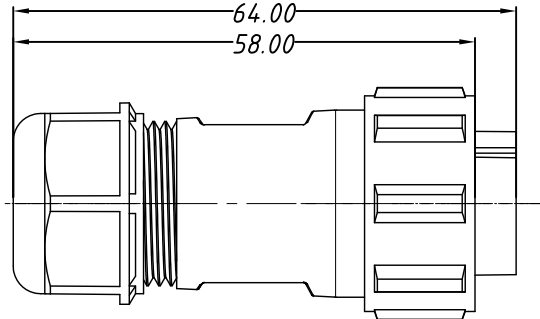
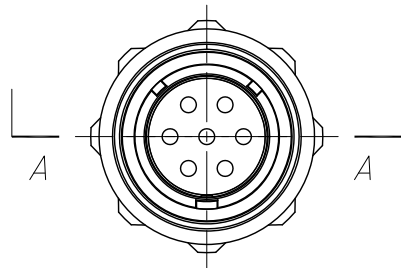


1 RoHS Compliance

Material & SPEC.

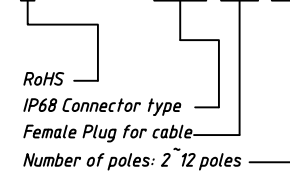
- 1.Shell Material: PPO,PA66 UL94V-0
- 2.Insulation Materials: PPS, High Temperature 260°C
- 3.Contact: Brass,Gold-plated
- 4.Insulation resistance: 2000MΩ
- 5.Number of poles: 2~12 poles
- 6.Coupling: Threaded
- 7.Termination: Solder
- 8.Cable outer Diameter: 7~12mm
- 9.IP Rating: IP68
- 10.Durability: 500 mating cycles
- 11.Temperature Range: -25°C~+80°C



SECTION A-A

ORDER INFORMATION:

L-KLS15-W21 B1-XX



Solder contact arrangement and spec

| Number of contact | 2 | 3 | 4 | 5A | 5B | 5C | 7 | 9 | 12 |
|---------------------------------------|----------|----------|----------|----------|-----------------------|--------|--------|-----------|-----------|
| Male contact face view | | | | | | | | | |
| Rated current (A) | 30A | 30A | 30A | 30A | 30A/5A | 15A | 15A | 5A | 5A |
| Contact Diameter | φ2.8×2 | φ2.8×3 | φ2.8×4 | φ2.8×5 | φ2.8×2 φ1.0×3 | φ1.8×5 | φ1.8×7 | φ1.0×9 | φ1.0×12 |
| Rated voltage (AC.V) | 500V | 500V | 500V | 500V | 500V | 500V | 500V | 500V | 400V |
| Test voltage (AC.V) 1min | 1500V | 1500V | 1500V | 1500V | 1500V | 1500V | 1500V | 1500V | 1200V |
| Contact resistance mΩ | 1 | 1 | 1 | 1 | 5, 1 | 2.5 | 2.5 | 5 | 5 |
| Wire size solder mm ² /AWG | ≤4.17/11 | ≤4.17/11 | ≤4.17/11 | ≤4.17/11 | ≤4.17/11 ≤0.785/18 | ≤2/14 | ≤2/14 | ≤0.785/18 | ≤0.785/18 |

Match Connector

| | |
|-------------|--|
| KLS15-W21B2 | |
| KLS15-W21B3 | |
| KLS15-W21B4 | |

| | | | |
|-------------------|--------|------------|---------------------------------|
| GENERAL TOLERANCE | | PROJECTION | Description: |
| .X | ±0.05 | UNITS | mm |
| .XX | ±0.02 | SHEET SIZE | A4 |
| | | KLS P/N: | KLS15-W21B1-XX |
| Draw: | Daniel | 2018-08-27 | NingBo KLS ELECTRONIC CO.,L TD. |
| Check: | Daniel | 2018-08-27 | |
| SCALE | 1:1 | SHEET | |