

Material
 PA66, UL94V-0
Housing: Brass, Ni plated
Cage: M3.0, Steel, Zn plated
Screws: M2.5 Steel Zn plated
Fixing screws: Phosphor bronze, Ni plated
Clamp:

Electrical
Rated voltage: 300V
Rated current: 15A
Contact Resistance: 20 m Ω
Insulation resistance: 500MΩ/DC500V
Withstand voltage: AC2000V / 1 min
Wire Range: 28 ~ 14AWG 1.5mm²


Mechanical
Temp. Range: -40 ° C ~ + 105 ° C
Strip length: 7.8mm
Torque: 0.5Nm(4.5Lbin)

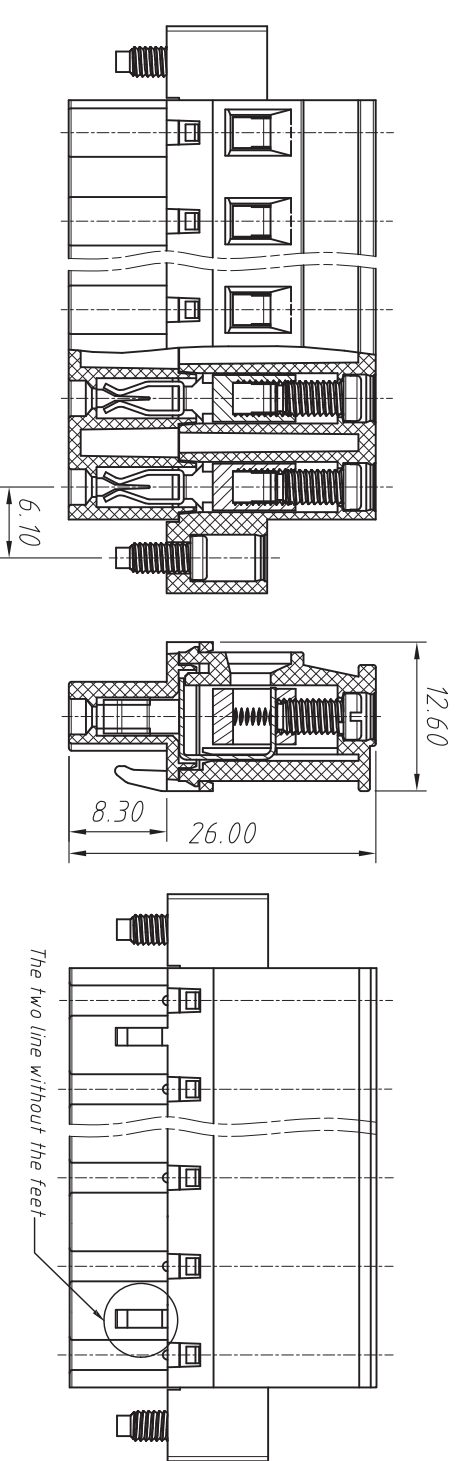
Order Information

L-KLS2-EDKBM-7.50-XXP-4 S 00
 RoHS Terminal Block
 Pitch _____
 No. of Pole _____
 Color: 4- Green _____
 Screw: S-Slot Screw C-Cross Screw
 Product Code: 00 99 _____

GENERAL TOLERANCE	ANGLE TOLERANCE	Description:
X. ±0.60	X. ±5°	Pluggable Terminal Block 7.50 MM
X ±0.38	.X ±3°	
XX ±0.25	.XX ±2°	

Draw by	2015-09-01	PROJECTION	mm	SHEET SIZE	A4
Check by	2015-09-15	UNITS	mm		
SCALE					


 Ningbo KLS ELECTRONIC CO., LTD.




Material
 PA66, UL94V-0
Housing:
 Brass, Ni plated
Cage:
 M3.0, Steel, Zn plated
Screws:
 M2.5 Steel Zn plated
Fixing screws:
 Phosphor bronze, Ni plated
Clamp:

Electrical
Rated voltage: 300V
Rated current: 15A
Contact Resistance: 20 mΩ
Insulation resistance: 500MΩ/DC500V
Withstand voltage: AC2000V / 1 min
Wire Range: 28 ~ 14AWG 1.5mm²
Mechanical
Temp. Range: -40 °C ~ +105 °C
Strip length: 7.8mm
Torque: 0.5Nm(4.5Lbin)

Order Information

L-KLS2-EDKBM-7.62-XXP-4 S 00
 RoHS Terminal Block
 Pitch _____
 No. of Pole _____
 Color: 4- Green _____
 Screw: S-Slot Screw C-Cross Screw
 Product Code: 00 99 _____

GENERAL TOLERANCE		ANGLE TOLERANCE		Description:	
X. ±0.60	X. ±5°	Pluggable Terminal Block 7.62 MM KLS P/N: KLS2-EDKBM-7.62-XXP-4S-00  Ningbo KLS ELECTRONIC CO., LTD.			
X ±0.38	.X ±3°				
XX ±0.25	.XX ±2°				
Draw by 2015-09-01	PROJECTION				
Check by 2015-09-15	UNITS	mm			
SCALE	SHEET SIZE	A4			