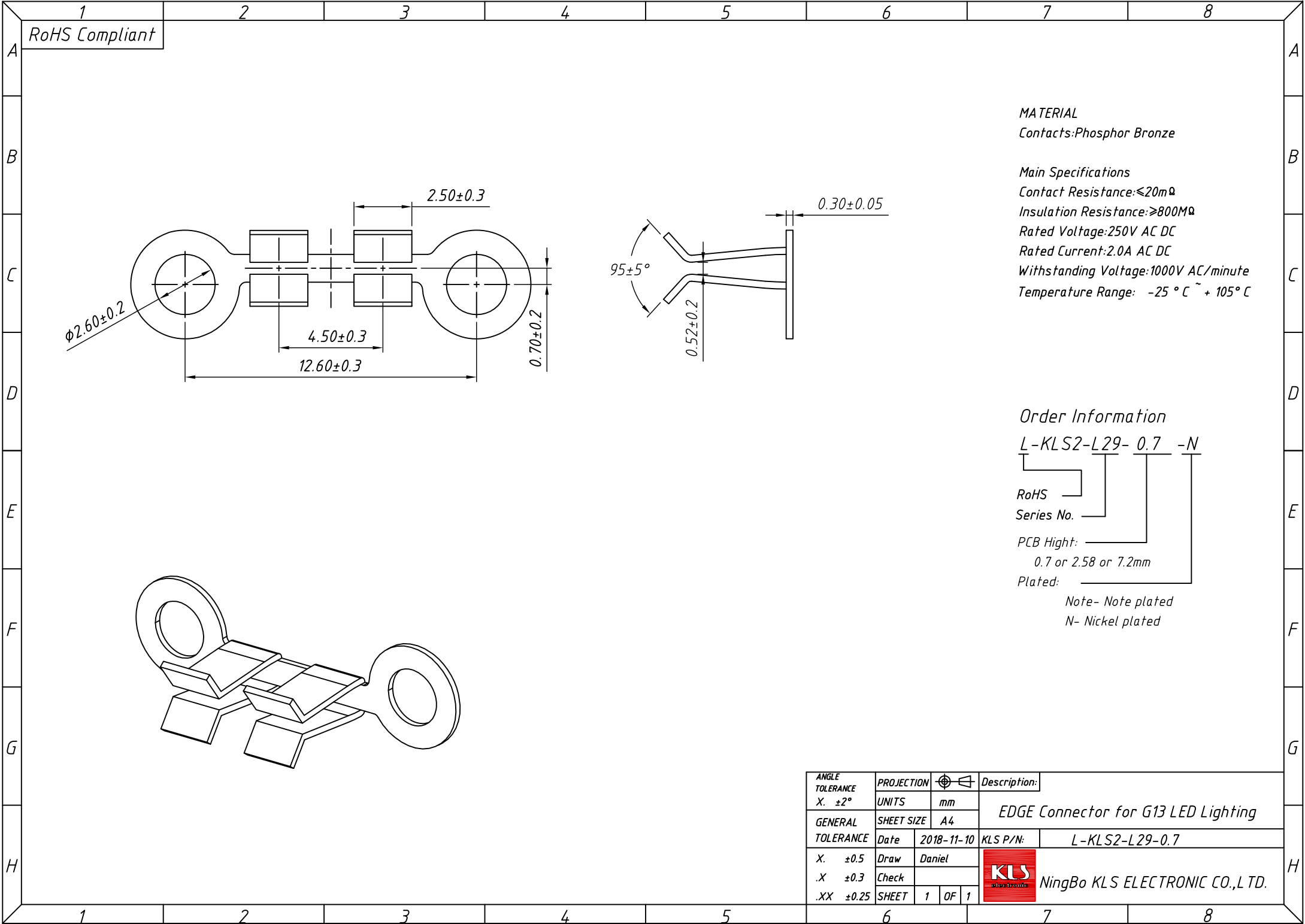


1
RoHS Compliant



MATERIAL

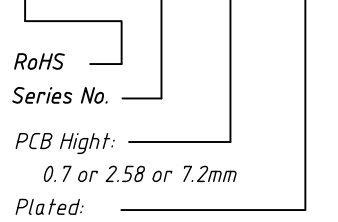
Contacts: Phosphor Bronze

Main Specifications

- Contact Resistance: $\leq 20m\Omega$
- Insulation Resistance: $\geq 800M\Omega$
- Rated Voltage: 250V AC DC
- Rated Current: 2.0A AC DC
- Withstanding Voltage: 1000V AC/minute
- Temperature Range: $-25^{\circ}C \sim +105^{\circ}C$

Order Information

L-KLS2-L29-0.7-N



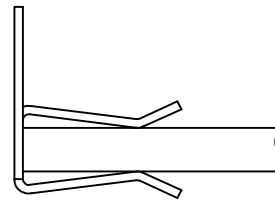
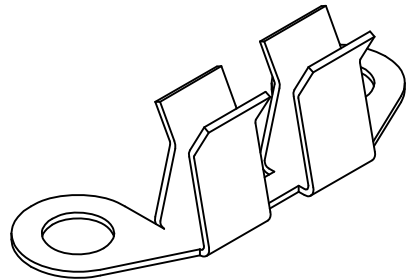
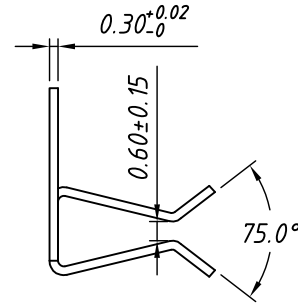
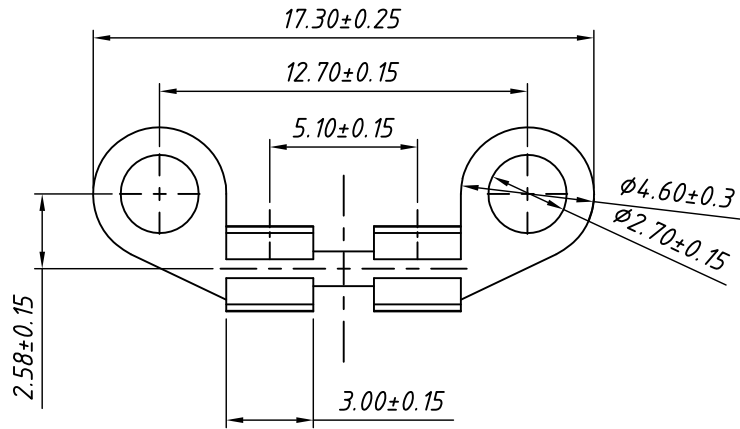
Note- Note plated
N- Nickel plated

ANGLE TOLERANCE X. $\pm 2^{\circ}$	PROJECTION		Description:
	UNITS	mm	EDGE Connector for G13 LED Lighting
GENERAL TOLERANCE	SHEET SIZE	A4	
	Date	2018-11-10	KLS P/N: L-KLS2-L29-0.7
X. ± 0.5	Draw	Daniel	
.X ± 0.3	Check		
.XX ± 0.25	SHEET	1 OF 1	



NingBo KLS ELECTRONIC CO.,L TD.

1
RoHS Compliant



ASSEMBLY LAYOUT

MATERIAL

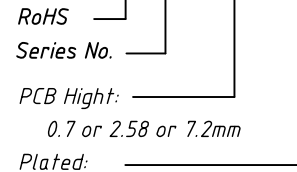
Contacts: Phosphor Bronze

Main Specifications

- Contact Resistance: $\leq 20m\Omega$
- Insulation Resistance: $\geq 800M\Omega$
- Rated Voltage: 250V AC DC
- Rated Current: 2.0A AC DC
- Withstanding Voltage: 1000V AC/minute
- Temperature Range: $-25^{\circ}C \sim +105^{\circ}C$

Order Information

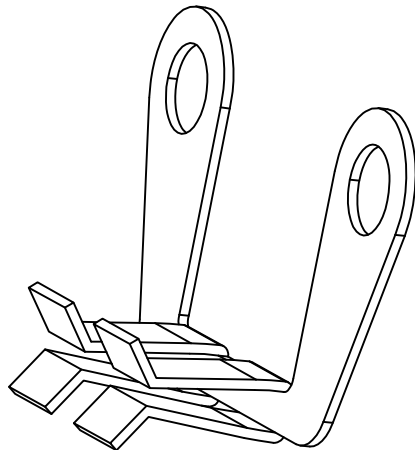
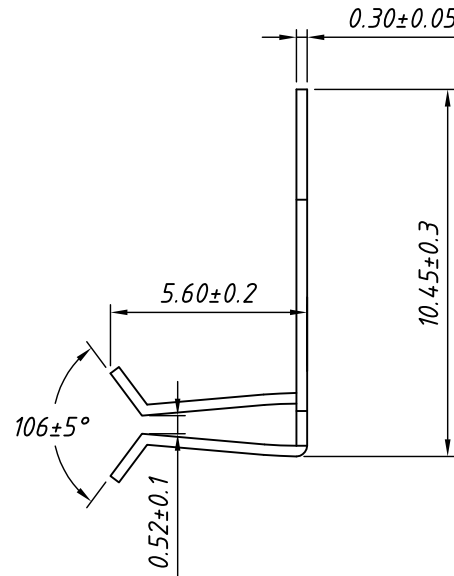
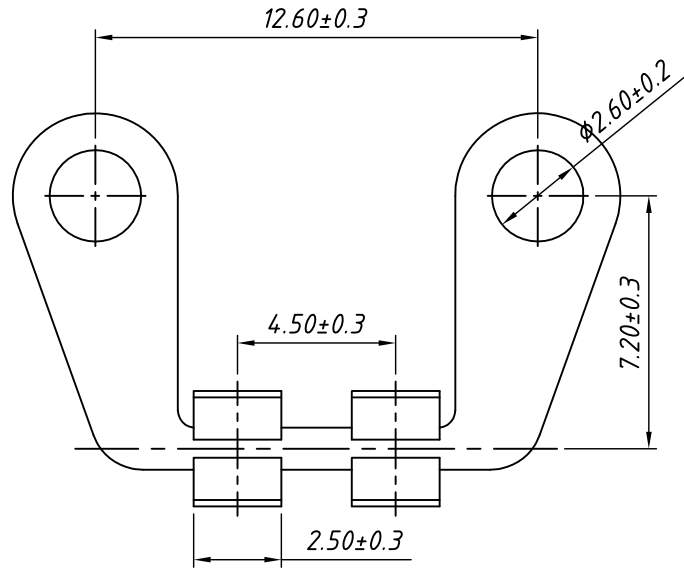
L-KLS2-L29-2.58-N



Note- Note plated
N- Nickel plated

ANGLE TOLERANCE X. $\pm 2^{\circ}$	PROJECTION		Description:
	UNITS	mm	EDGE Connector for G13 LED Lighting
GENERAL TOLERANCE	SHEET SIZE	A4	
	Date	2018-11-10	KLS P/N: L-KLS2-L29-2.58
X. ± 0.5	Draw	Daniel	NingBo KLS ELECTRONIC CO.,L TD.
.X ± 0.3	Check		
.XX ± 0.25	SHEET	1 OF 1	

1 RoHS Compliant



MATERIAL

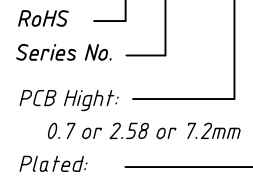
Contacts: Phosphor Bronze

Main Specifications

- Contact Resistance: $\leq 20m\Omega$
- Insulation Resistance: $\geq 800M\Omega$
- Rated Voltage: 250V AC DC
- Rated Current: 2.0A AC DC
- Withstanding Voltage: 1000V AC/minute
- Temperature Range: $-25^{\circ}C \sim +105^{\circ}C$

Order Information

L-KLS2-L29-7.2 -N



Note- Note plated
N- Nickel plated

ANGLE TOLERANCE X. $\pm 2^{\circ}$	PROJECTION		Description:
	UNITS	mm	EDGE Connector for G13 LED Lighting
GENERAL TOLERANCE	SHEET SIZE	A4	
	Date	2018-11-10	KLS P/N: L-KLS2-L29-7.2
X. ± 0.5	Draw	Daniel	NingBo KLS ELECTRONIC CO.,L TD.
.X ± 0.3	Check		
.XX ± 0.25	SHEET	1 OF 1	