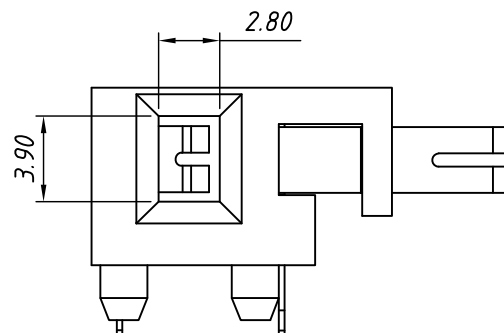
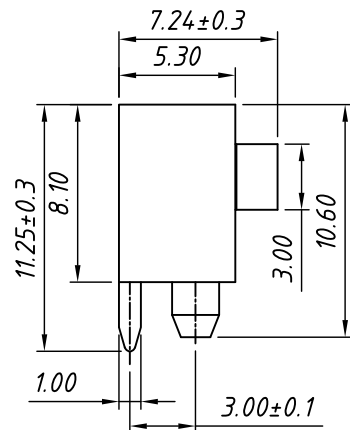
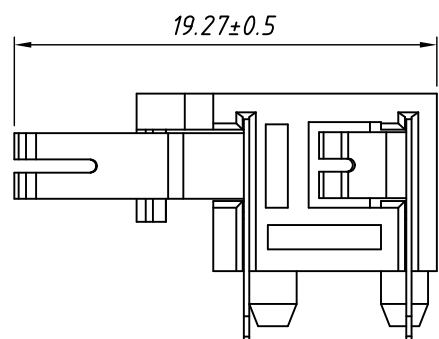


1  
RoHS Compliant



MATERIAL

Insulator:PBT,BEIGE

Contacts:Phosphor Bronze,Tin-plated

Main Specifications

Contact Resistance:≤30mΩ

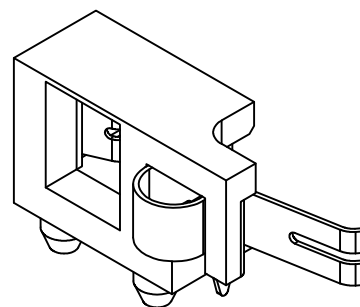
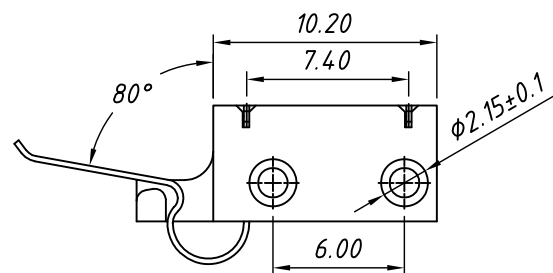
Insulation Resistance:≥800MΩ

Rated Voltage:300V AC DC

Rated Current:2.0A AC DC

Withstanding Voltage:1500V AC/minute

Temperature Range: -40 °C ~ +105 °C

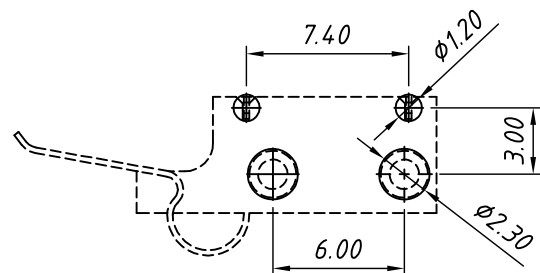


Order Information

L-KLS2-L86

Series No.

RoHS



Board Layout

General Tolerance:±0.05

ANGLE TOLERANCE	PROJECTION	Description:	
X. ±2°	UNITS	mm	LED Connector for LED Lighting
GENERAL TOLERANCE	SHEET SIZE	A4	
	Date	2018-11-10	KLS P/N: L-KLS2-L86
X. ±0.5	Draw	Daniel	
.X ±0.3	Check		
.XX ±0.25	SHEET	1	OF 1



NingBo KLS ELECTRONIC CO.,L TD.