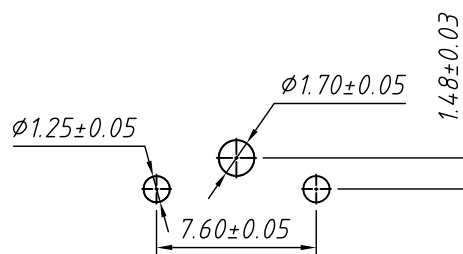
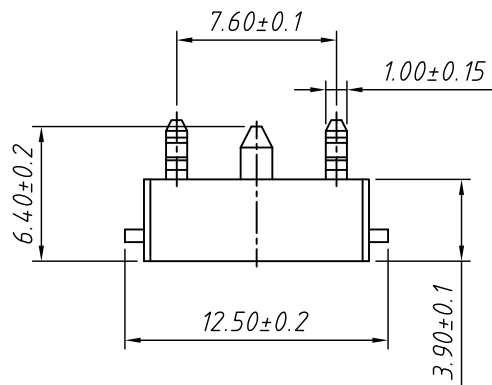
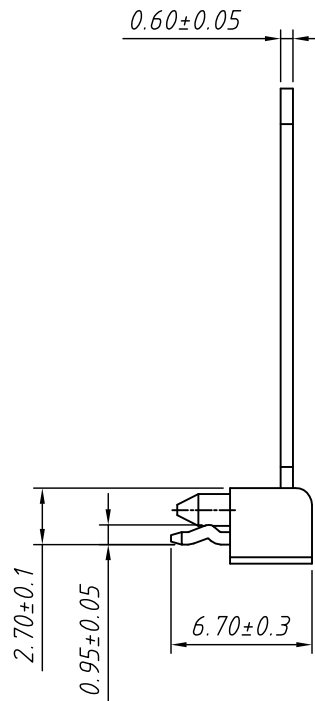
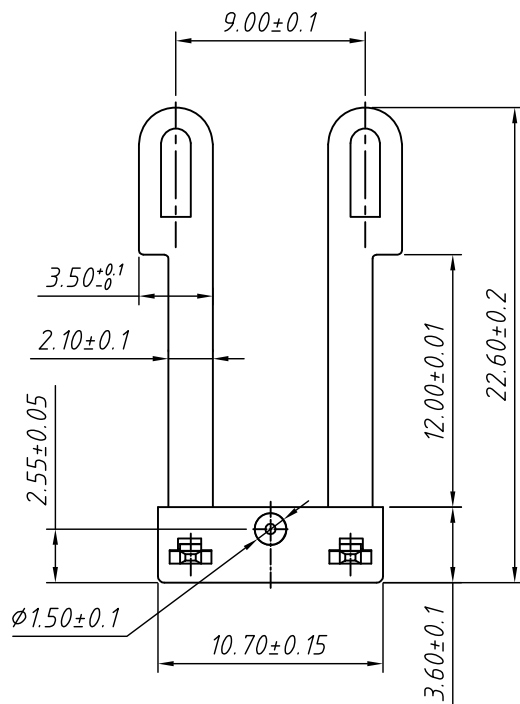


1 RoHS Compliant

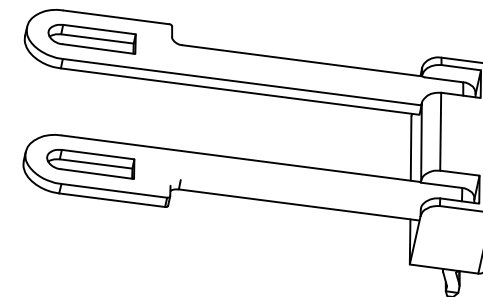
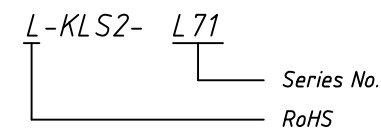


Suggested PCB Layout
(Component Side)

MATERIAL
Insulator:LCP,UL 94 V-0,Beige
Contacts:Brass,Tin-plated

Main Specifications
Poles:02P
Contact Resistance:≤20mΩ
Insulation Resistance:≥1000MΩ
Rated Voltage:250V AC DC
Rated Current:3.0A AC DC
Withstanding Voltage:3000V AC/minute
Temperature Range: -40 °C ~ +110 °C

Order Information



GENERAL TOLERANCE		ANGLE TOLERANCE		PROJECTION		Description:
.X	±0.15	.X	±5°	UNITS	mm	LED Connector for G9 Lamp holder L-KLS2-L71
.X	±0.03	.X	±3°	SHEET SIZE	A4	
.XX	±0.05	.XX	±2°		KLS P/N:	
Draw by:	Jenny	Date:	2018-03-10			NingBo KLS ELECTRONIC CO.,LTD.
Check by:		Date:	2018-03-10			
SCALE		SHEET	1 OF 1			