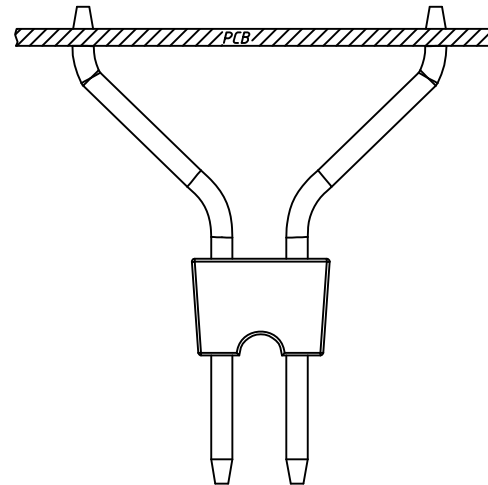
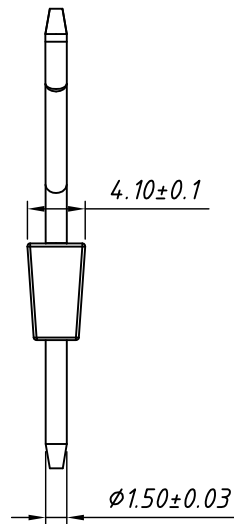
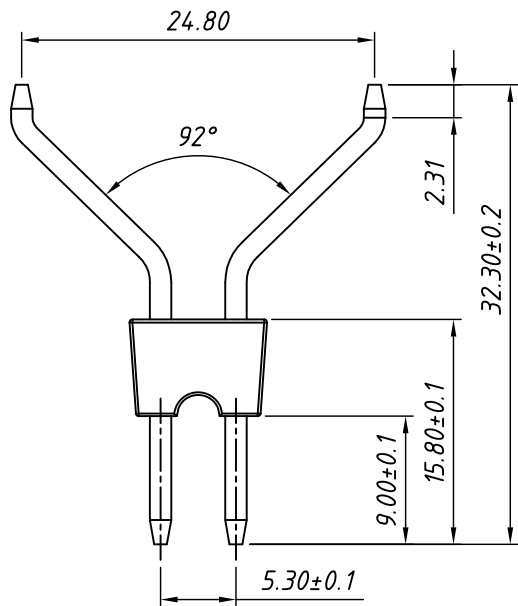


1 RoHS Compliant



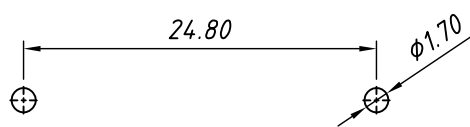
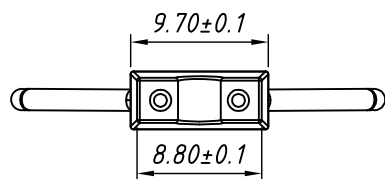
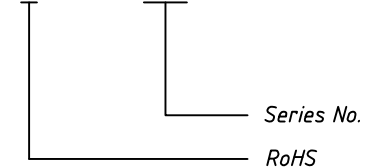
ASSEMBLY LAYOUT

**MATERIAL**  
 Insulator: PA46, UL 94V-0, BEIGE  
 Contacts: Brass, Nickel-plated

**Main Specifications**  
 Contact Resistance:  $\leq 20m\Omega$   
 Insulation Resistance:  $\geq 1000M\Omega$   
 Rated Voltage: 250V AC DC  
 Rated Current: 3.0A AC DC  
 Withstanding Voltage: 1800V AC/minute  
 Temperature Range:  $-40^{\circ}C \sim +110^{\circ}C$

Order Information

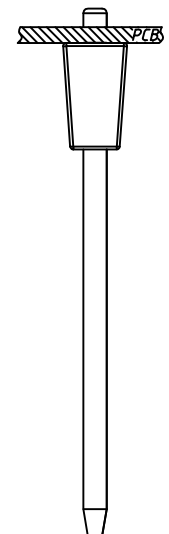
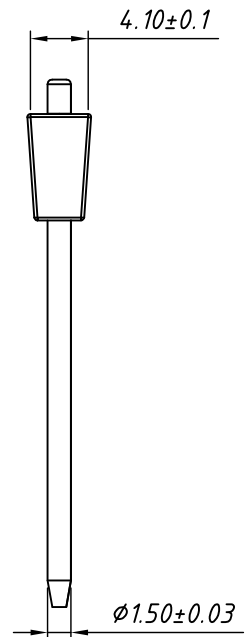
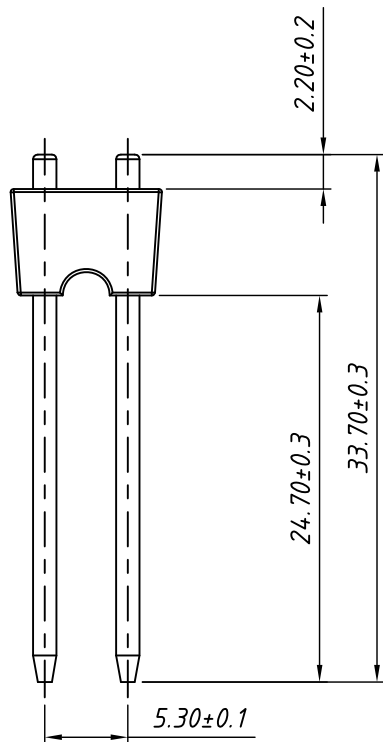
L-KLS2-L50



Board Layout  
 General Tolerance:  $\pm 0.05$

			Description:
X. $\pm 2^{\circ}$	UNITS	mm	LED Connector for GU5.3 Lamp holder
GENERAL	SHEET SIZE	A4	
TOLERANCE	Date	2018-11-10	KLS P/N: L-KLS2-L50
X. $\pm 0.5$	Draw	Daniel	NingBo KLS ELECTRONIC CO.,L TD.
.X $\pm 0.3$	Check		
.XX $\pm 0.25$	SHEET	1 OF 1	

1  
RoHS Compliant



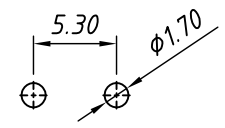
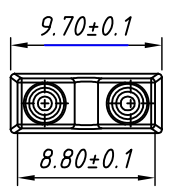
ASSEMBLY LAYOUT

**MATERIAL**  
 Insulator: PA46, UL 94V-0, BEIGE  
 Contacts: Brass, Nickel-plated


**Main Specifications**  
 Contact Resistance: ≤20mΩ  
 Insulation Resistance: ≥1000MΩ  
 Rated Voltage: 250V AC DC  
 Rated Current: 3.0A AC DC  
 Withstanding Voltage: 1800V AC/minute  
 Temperature Range: -40 °C ~ +110 °C

**Order Information**  
 L-KLS2-L50B

Series No.  
 RoHS



Board Layout  
 General Tolerance: ±0.05

X. ±2°	UNITS	mm	Description:	
	SHEET SIZE		LED Connector for GU5.3 Lamp holder	
GENERAL TOLERANCE	Date	2018-11-10	KLS P/N:	L-KLS2-L50B
X. ±0.5	Draw	Daniel	 NingBo KLS ELECTRONIC CO.,L TD.	
.X ±0.3	Check			
.XX ±0.25	SHEET	1 OF 1		