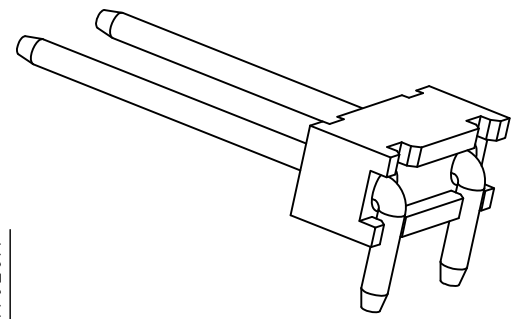
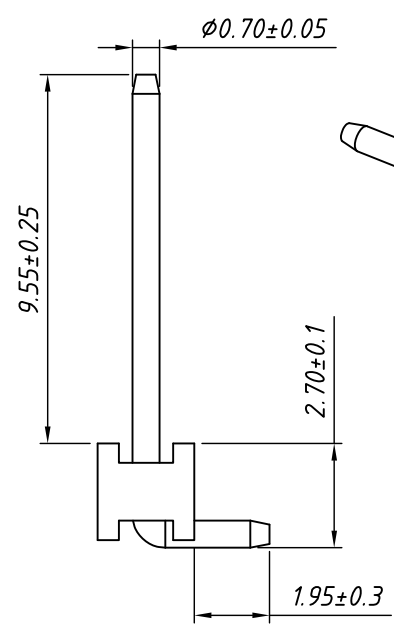
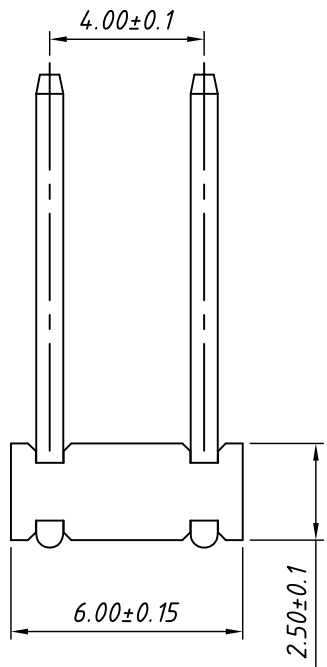
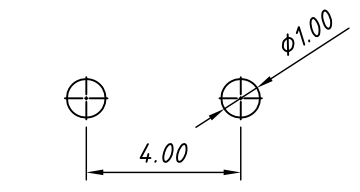
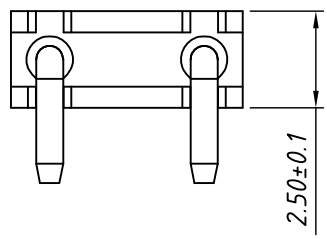


1
RoHS Compliant



MATERIAL
 Insulator: PA46, UL 94V-0, BEIGE
 Contacts: Brass, Nickel-plated


Main Specifications
 Contact Resistance: $\leq 20m\Omega$
 Insulation Resistance: $\geq 1000M\Omega$
 Rated Voltage: 250V AC DC
 Rated Current: 2.0A AC DC
 Withstanding Voltage: 2000V AC/minute
 Temperature Range: $-40^{\circ}C \sim +110^{\circ}C$



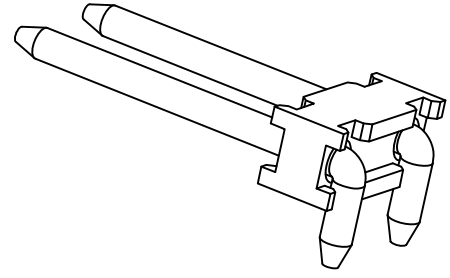
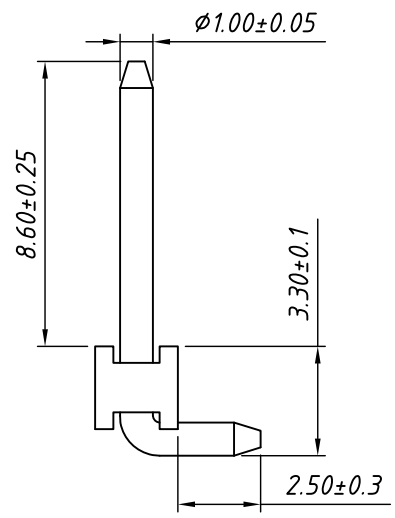
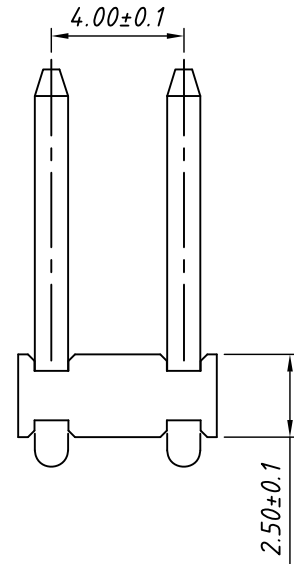
Board Layout
 General Tolerance: ± 0.05

Order Information
 L-KLS2-L44

Series No.
 RoHS

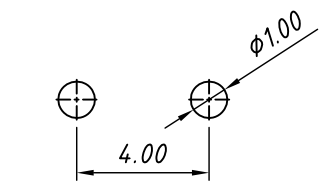
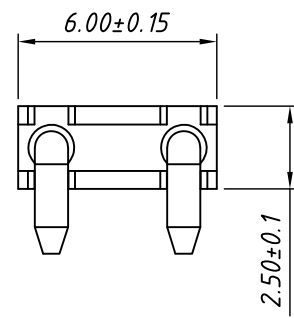
X. $\pm 2^{\circ}$	UNITS	mm	Description:	
	SHEET SIZE		LED Connector for G4 Lamp holder	
GENERAL TOLERANCE	Date	2018-11-10	KLS P/N:	L-KLS2-L44
X. ± 0.5	Draw	Daniel	 NingBo KLS ELECTRONIC CO.,L TD.	
.X ± 0.3	Check			
.XX ± 0.25	SHEET	1 OF 1		

1
RoHS Compliant



MATERIAL
 Insulator: PA46, UL 94V-0, BEIGE
 Contacts: Brass, Nickel-plated

Main Specifications
 Contact Resistance: $\leq 20m\Omega$
 Insulation Resistance: $\geq 1000M\Omega$
 Rated Voltage: 250V AC DC
 Rated Current: 2.0A AC DC
 Withstanding Voltage: 2000V AC/minute
 Temperature Range: $-40^{\circ}C \sim +110^{\circ}C$



Board Layout
 General Tolerance: ± 0.05

Order Information
 L-KLS2-L44B

Series No.
 RoHS

			Description:	
X. $\pm 2^{\circ}$	UNITS	mm	LED Connector for GU4 Lamp holder	
GENERAL	SHEET SIZE	A4		
TOLERANCE	Date	2018-11-10	KLS P/N:	L-KLS2-L44B
X. ± 0.5	Draw	Daniel	NingBo KLS ELECTRONIC CO.,L TD.	
.X ± 0.3	Check			
.XX ± 0.25	SHEET	1 OF 1		