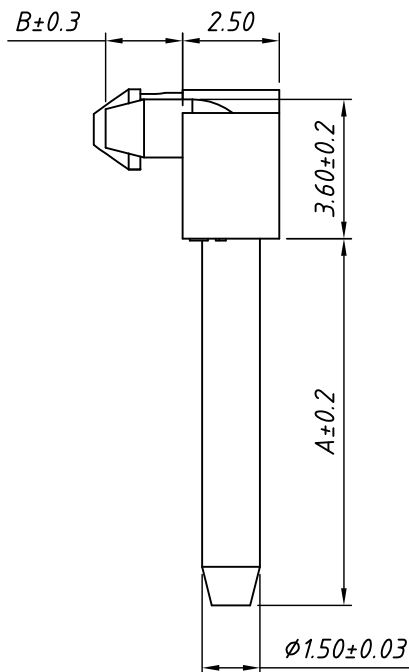
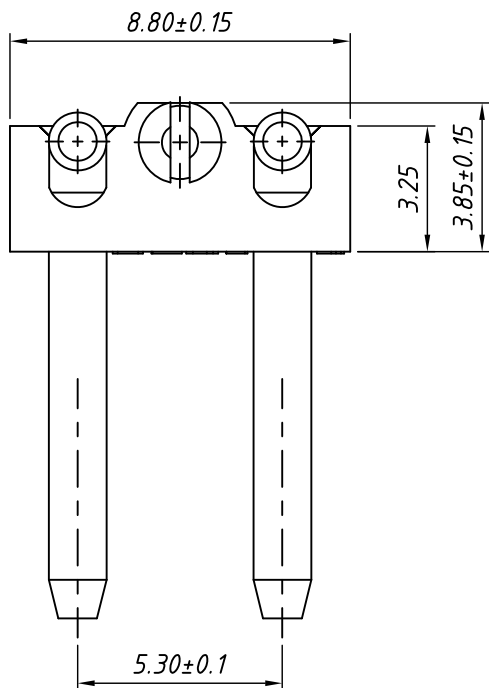


1 RoHS Compliant



A	B
9.0	2.5
9.5	2.0
9.5	3.0
10.0	2.5
11.0	2.0

MATERIAL

Insulator: PA46, UL 94V-0, BEIGE
 Contacts: Brass, Tin-plated

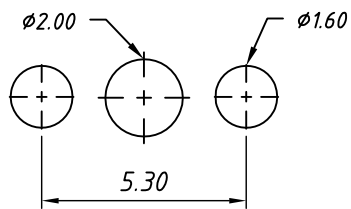
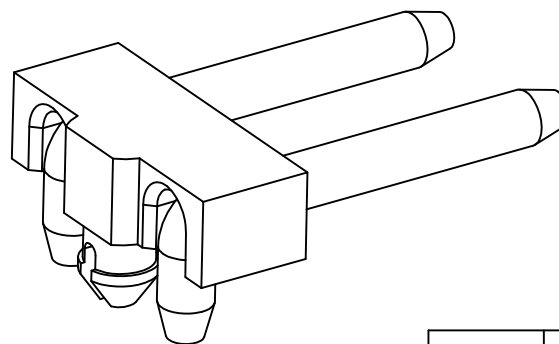
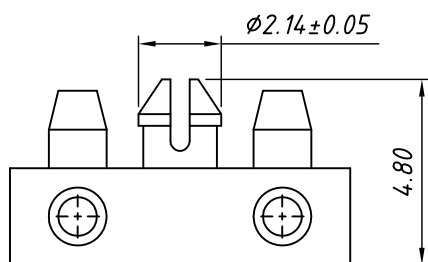
Main Specifications

Contact Resistance: $\leq 20m\Omega$
 Insulation Resistance: $\geq 1000M\Omega$
 Rated Voltage: 250V AC DC
 Rated Current: 3.0A AC DC
 Withstanding Voltage: 1000V AC/minute
 Temperature Range: $-40^{\circ}C \sim +110^{\circ}C$

Order Information

L-KLS2-L43 B - A × B

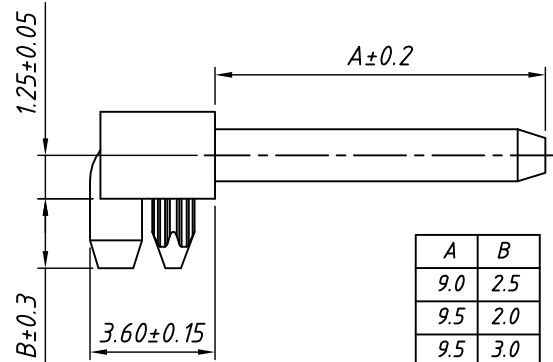
RoHS
 Series No.
 Type:
 B- with post
 C- with square post
 D- without post
 A- Pin length
 B- Solder Pin length



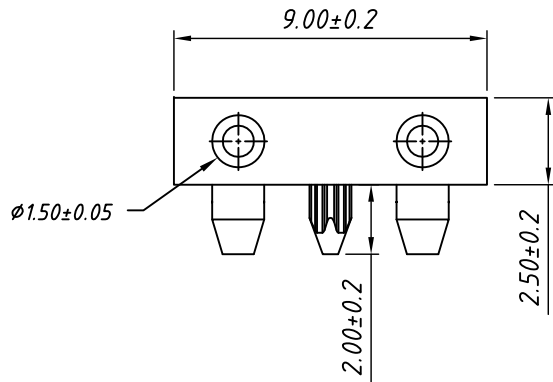
Board Layout
 General Tolerance: ± 0.05

X. $\pm 2^{\circ}$	UNITS	mm	Description: LED Connector for GUS.3 Lamp holder, with post
	SHEET SIZE	A4	
GENERAL TOLERANCE	Date	2018-11-10	KLS P/N: L-KLS2-L43B-XXX
X. ± 0.5	Draw	Daniel	 NingBo KLS ELECTRONIC CO.,L TD.
.X ± 0.3	Check		
.XX ± 0.25	SHEET	1 OF 1	

1 RoHS Compliant



A	B
9.0	2.5
9.5	2.0
9.5	3.0
10.0	2.5
11.0	2.0

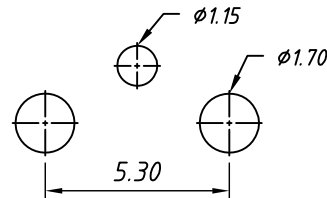
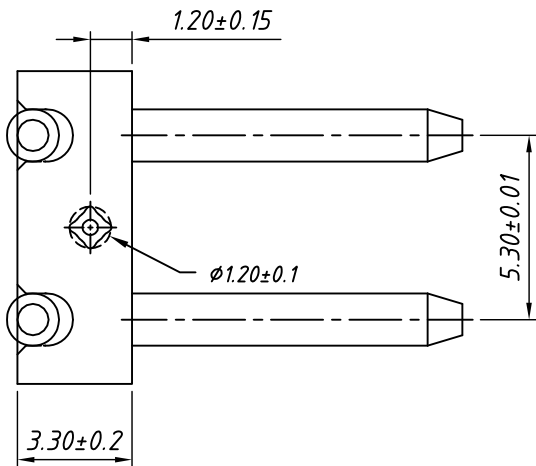


MATERIAL

Insulator: PA46, UL 94V-0, BEIGE
Contacts: Brass, Tin-plated

Main Specifications

Contact Resistance: $\leq 20m\Omega$
Insulation Resistance: $\geq 1000M\Omega$
Rated Voltage: 250V AC DC
Rated Current: 3.0A AC DC
Withstanding Voltage: 1000V AC/minute
Temperature Range: $-40^{\circ}C \sim +110^{\circ}C$



Board Layout
General Tolerance: ± 0.05

Order Information

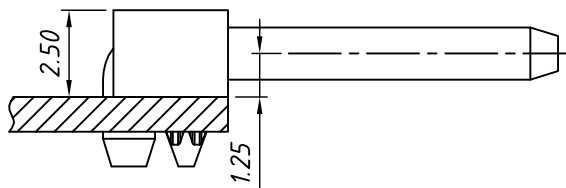
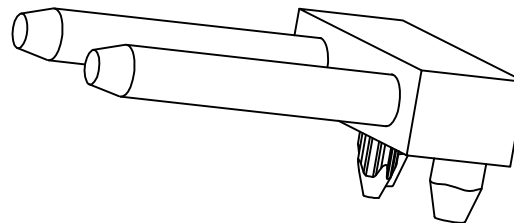
L-KLS2-L43 C - A x B

RoHS


Series No.

Type:

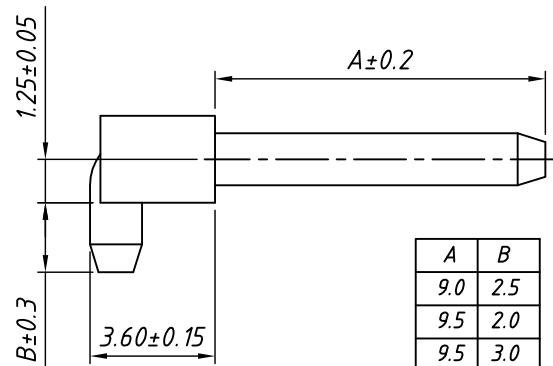
- B- with post
- C- with square post
- D- without post
- A- Pin length
- B- Solder Pin length



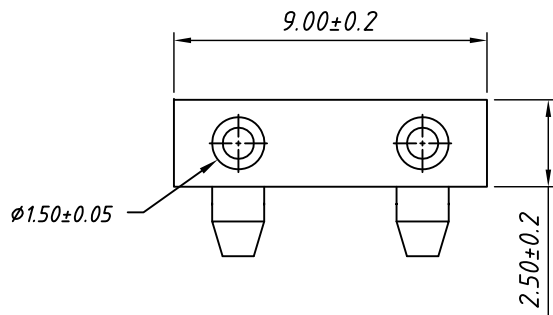
ASSEMBLY LAYOUT

			Description:	LED Connector
X. $\pm 2^{\circ}$	UNITS	mm	for GU5.3 Lamp holder, with square post	
GENERAL	SHEET SIZE	A4		
TOLERANCE	Date	2018-11-10	KLS P/N:	L-KLS2-L43C-XXX
X. ± 0.5	Draw	Daniel	 NingBo KLS ELECTRONIC CO.,L TD.	
.X ± 0.3	Check			
.XX ± 0.25	SHEET	1 OF 1		

1 RoHS Compliant



A	B
9.0	2.5
9.5	2.0
9.5	3.0
10.0	2.5
11.0	2.0

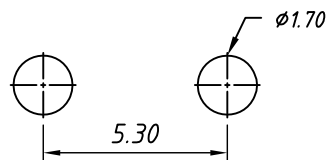
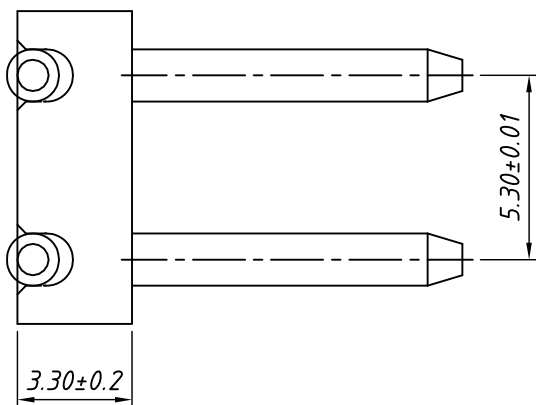


MATERIAL

Insulator: PA46, UL 94V-0, BEIGE
Contacts: Brass, Tin-plated

Main Specifications

Contact Resistance: $\leq 20m\Omega$
Insulation Resistance: $\geq 1000M\Omega$
Rated Voltage: 250V AC DC
Rated Current: 3.0A AC DC
Withstanding Voltage: 1000V AC/minute
Temperature Range: $-40^{\circ}C \sim +110^{\circ}C$



Board Layout
General Tolerance: ±0.05

Order Information

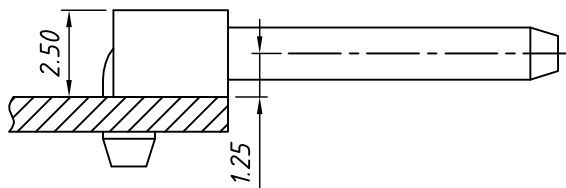
L-KLS2-L43 D - A × B

RoHS

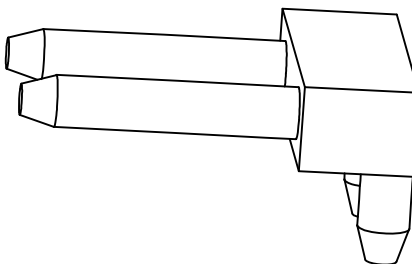
Series No.

Type:

- B- with post
- C- with square post
- D- without post
- A- Pin length
- B- Solder Pin length



ASSEMBLY LAYOUT



X. ±2°	UNITS	mm	Description: LED Connector for GU5.3 Lamp holder, without post
	SHEET SIZE	A4	
GENERAL TOLERANCE	Date	2018-11-10	KLS P/N: L-KLS2-L43D-XXX
X. ±0.5	Draw	Daniel	 NingBo KLS ELECTRONIC CO.,L TD.
.X ±0.3	Check		
.XX ±0.25	SHEET	1 OF 1	