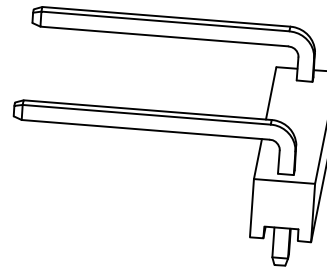
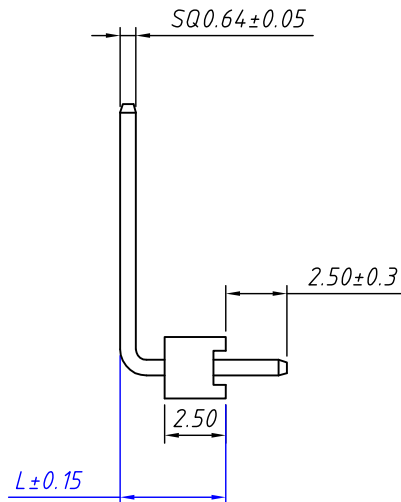
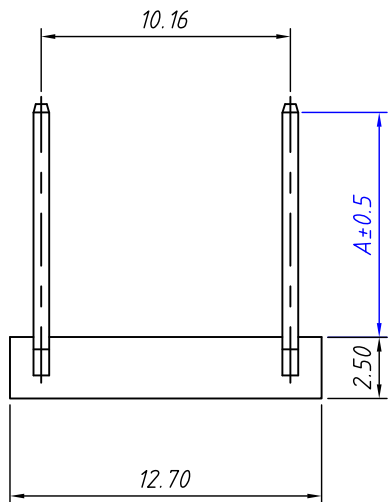


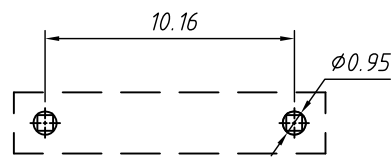
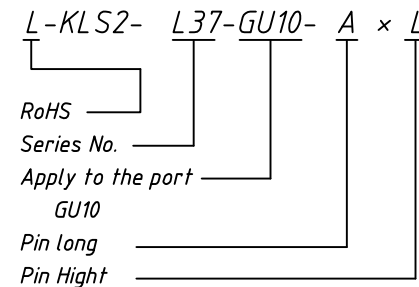
1 RoHS Compliant



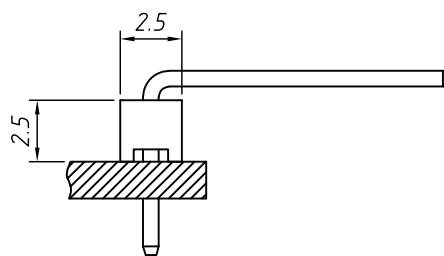
MATERIAL
 Insulator: PA46, UL 94 V-0, Beige
 Contacts: Brass, Tin-plated

Main Specifications
 Poles: 2P
 Contact Resistance: $\leq 20m\Omega$
 Insulation Resistance: $\geq 1000M\Omega$
 Rated Voltage: 250V AC DC
 Rated Current: 2.0A AC DC
 Withstanding Voltage: 1500V AC/minute
 Temperature Range: $-40^{\circ}C \sim +110^{\circ}C$

Order Information



Board Layout
 General tolerance: ± 0.05



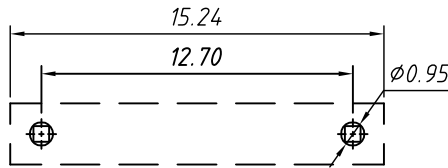
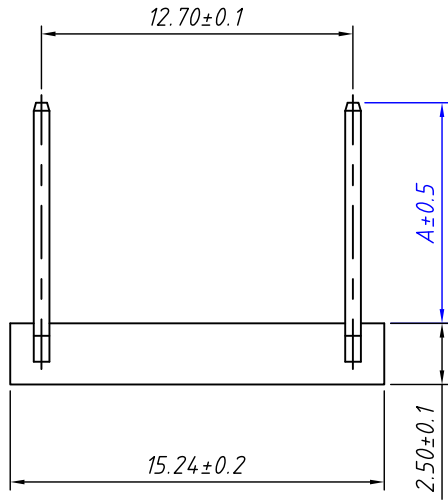
Assembly Layout

GENERAL TOLERANCE		ANGLE TOLERANCE		PROJECTION	Description:	
X. ± 0.15	.X ± 0.03	X. $\pm 5^{\circ}$.X $\pm 3^{\circ}$	UNITS		LED Connector for GU10 Lamp holder, Pitch 10.16mm
.XX ± 0.05	.XX $\pm 2^{\circ}$	mm	A4	SHEET SIZE		
Draw by: Jenny				Date: 2018-03-10	KLS P/N:	L-KLS2-L37-GU10-XxX
Check by:				Date: 2018-03-10		
SCALE		SHEET	1	OF	1	

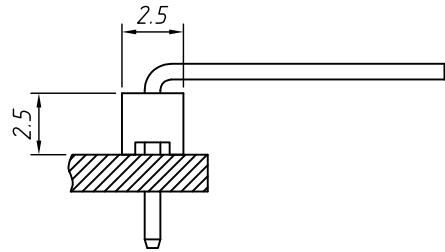
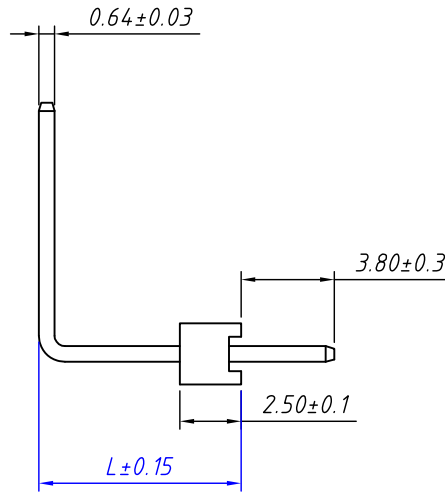


NingBo KLS ELECTRONIC CO.,LTD.

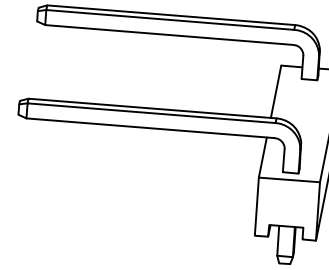
1
RoHS Compliant



Board Layout
General tolerance: ±0.05



Assembly Layout



MATERIAL
Insulator: PA46, UL 94 V-0, Beige
Contacts: Brass, Tin-plated

Main Specifications
Poles: 01~04P
Contact Resistance: ≤20mΩ
Insulation Resistance: ≥1000MΩ
Rated Voltage: 250V AC DC
Rated Current: 2.0A AC DC
Withstanding Voltage: 1500V AC/minute
Temperature Range: -40 °C ~ +110 °C

Order Information
L-KLS2- L37- G13 - A x L

RoHS —
Series No. —
Apply to the part —
G13
Pin long —
Pin High —

GENERAL TOLERANCE		ANGLE TOLERANCE		PROJECTION		Description:
.X	±0.15	.X	±5°	UNITS	mm	LED Connector for G13 Lamp holder, Pitch 12.70mm L-KLS2-L37-G13-XxX
.X	±0.03	.X	±3°	SHEET SIZE	A4	
.XX	±0.05	.XX	±2°		KLS P/N:	
Draw by:	Jenny	Date:	2018-03-10	NingBo KLS ELECTRONIC CO.,LTD.		
Check by:		Date:	2018-03-10			
SCALE		SHEET	1 OF 1			