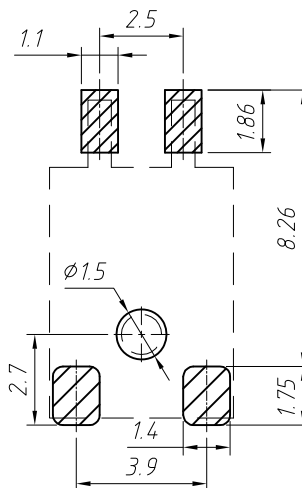
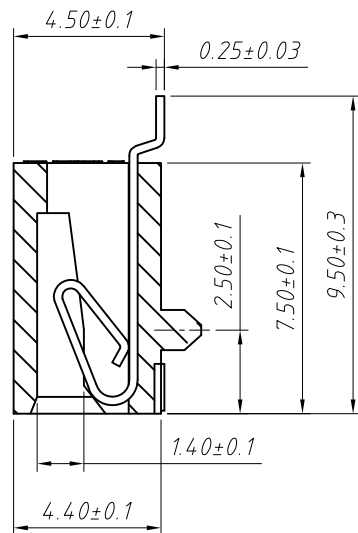
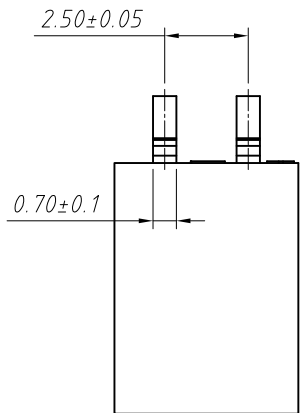


1 RoHS Compliant



Board Layout

MATERIAL

Insulator:LCP,UL94V-0,Beige

Contacts:Phosphor Bronze,Tin-plated

Solder Tab:Phosphor Bronze,Tin-plated

Main Specifications

Thickness:1.00mm

Contact Resistance: $\leq 20m\Omega$

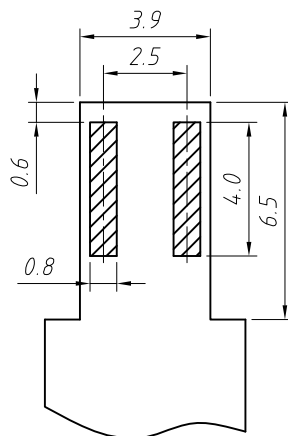
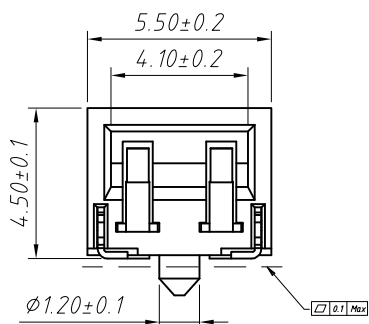
Insulation Resistance: $\geq 800M\Omega$

Rated Voltage:250V AC DC

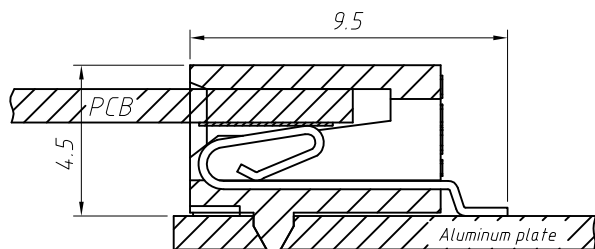
Rated Current:1.0A AC DC

Withstanding Voltage:1500V AC/minute

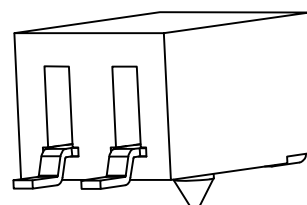
Temperature Range: $-25^{\circ}C \sim +105^{\circ}C$



Mating Aluminum plate detail



Assembly Layout




Order Information

L-KLS2- L47-02P

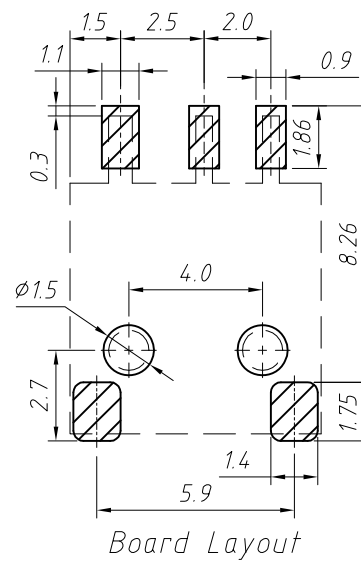
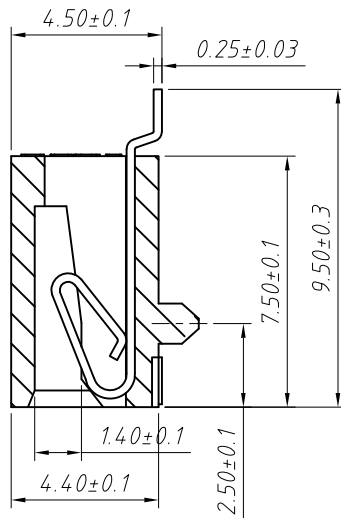
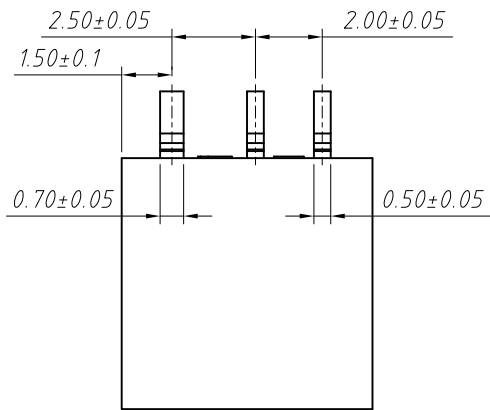
Number of poles

Series No.

RoHS

GENERAL TOLERANCE		ANGLE TOLERANCE		PROJECTION		Description:	
X	± 0.15	X	$\pm 5^{\circ}$	UNITS	mm	EDGE Connector for T8 LED Lighting	
.X	± 0.03	.X	$\pm 3^{\circ}$	SHEET SIZE	A4		
.XX	± 0.05	.XX	$\pm 2^{\circ}$		KLS P/N:		
Draw by:	Jenny	Date:	2018-03-10	 NingBo KLS ELECTRONIC CO.,L TD.			
Check by:		Date:	2018-03-10				
SCALE		SHEET	1	OF	1		

1
RoHS Compliant

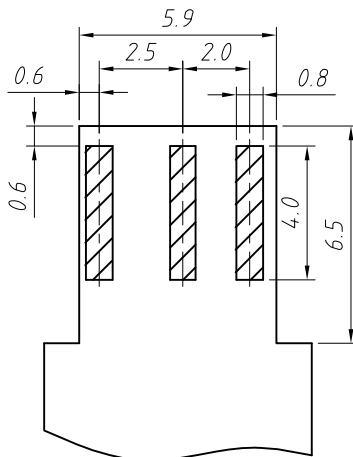
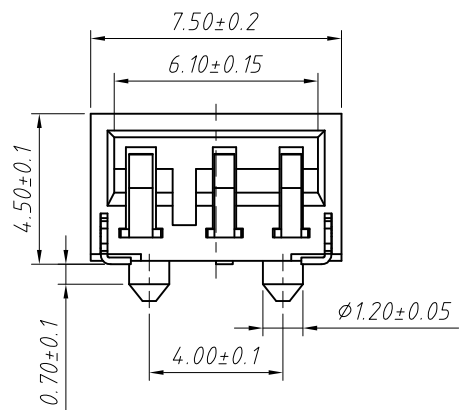


MATERIAL

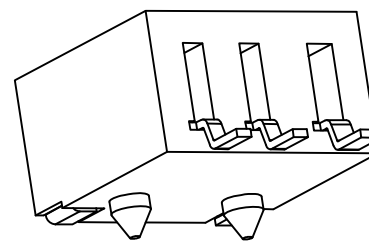
Insulator: LCP, UL94V-0, Beige
 Contacts: Phosphor Bronze, Tin-plated
 Solder Tab: Phosphor Bronze, Tin-plated

Main Specifications

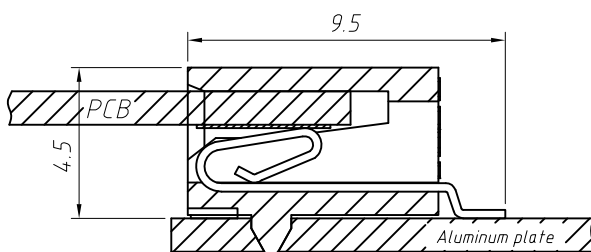
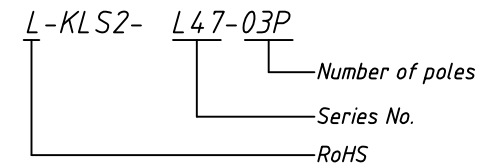
Thickness: 1.00mm
 Contact Resistance: $\leq 20m\Omega$
 Insulation Resistance: $\geq 800M\Omega$
 Rated Voltage: 250/150V AC DC
 Rated Current: 1.0A AC DC
 Withstanding Voltage: 1500V AC/minute
 Temperature Range: $-25^{\circ}C \sim +105^{\circ}C$



Mating Aluminum plate detail



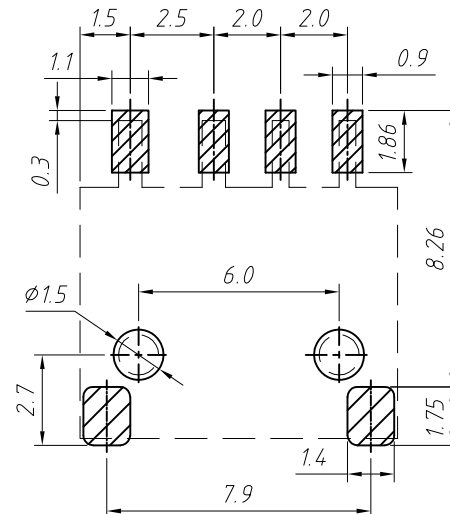
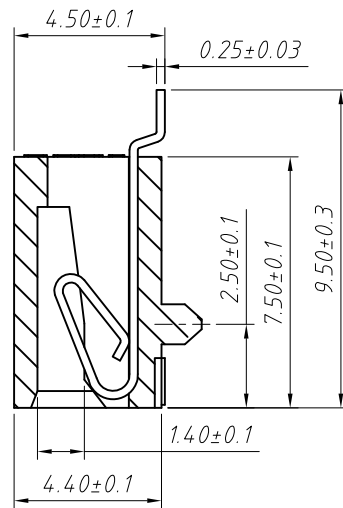
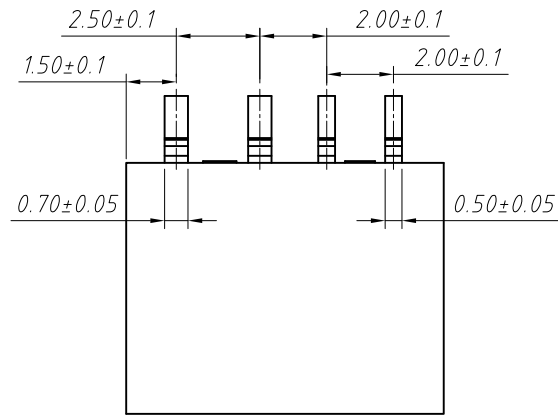
Order Information



Assembly Layout

GENERAL TOLERANCE		ANGLE TOLERANCE		PROJECTION	Description:
X.	± 0.15	X.	$\pm 5^{\circ}$	UNITS	mm
.X	± 0.03	.X	$\pm 3^{\circ}$	SHEET SIZE	A4
.XX	± 0.05	.XX	$\pm 2^{\circ}$	KLS P/N:	L-KLS2-L47-03P
Draw by:	Jenny	Date:	2018-03-10	NingBo KLS ELECTRONIC CO.,L TD.	EDGE Connector for T8 LED Lighting
Check by:		Date:	2018-03-10		
SCALE		SHEET	1 OF 1		

1 RoHS Compliant



Board Layout

MATERIAL

Insulator:LCP,UL94V-0,Beige

Contacts:Phosphor Bronze,Tin-plated

Solder Tab:Phosphor Bronze,Tin-plated

Main Specifications

Thickness:1.00mm

Contact Resistance:≤20mΩ

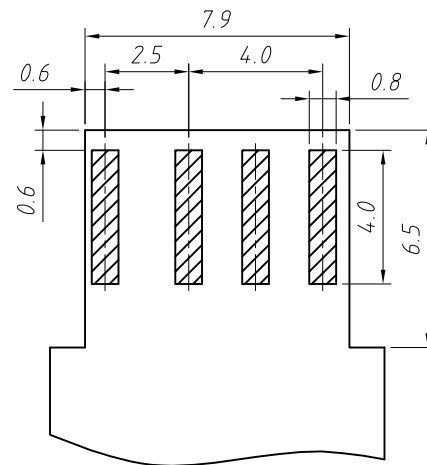
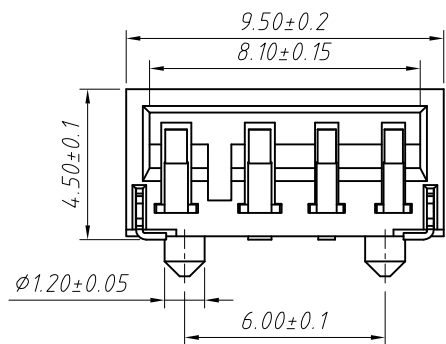
Insulation Resistance:≥800MΩ

Rated Voltage:250/150V AC DC

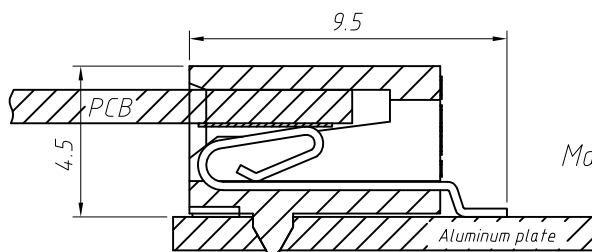
Rated Current:1.0A AC DC

Withstanding Voltage:1500V AC/minute

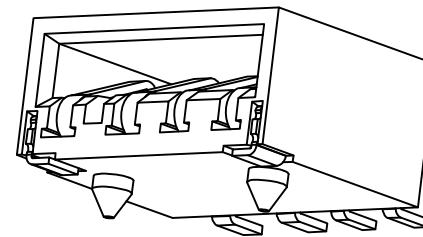
Temperature Range: -25 °C ~ +105 °C



Mating Aluminum plate detail



Assembly Layout



Order Information

L-KLS2- L47-04P

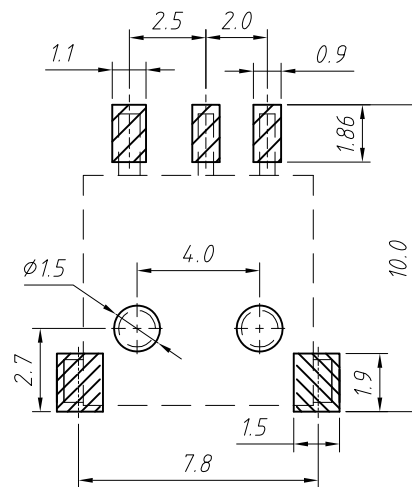
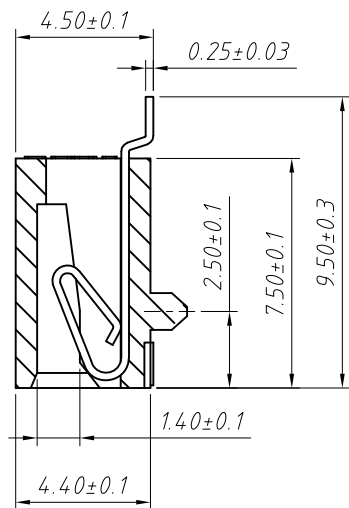
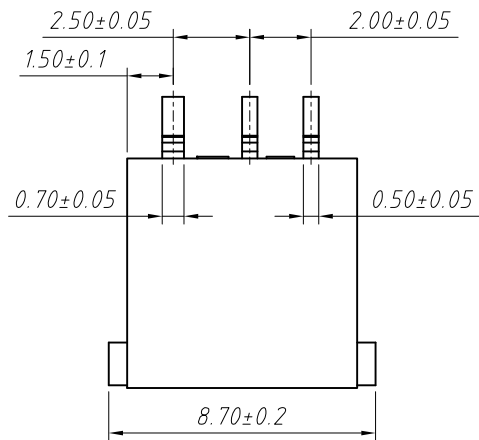
Number of poles

Series No.

RoHS

GENERAL TOLERANCE		ANGLE TOLERANCE		PROJECTION		Description:	
.X	±0.15	.X	±5°	UNITS	mm	EDGE Connector for T8 LED Lighting	
.X	±0.03	.X	±3°	SHEET SIZE	A4		
.XX	±0.05	.XX	±2°	KLS P/N:			
Draw by:	Jenny	Date:	2018-03-10	 NingBo KLS ELECTRONIC CO.,L TD.			
Check by:		Date:	2018-03-10				
SCALE		SHEET	1 OF 1				

1 RoHS Compliant



Board Layout

MATERIAL

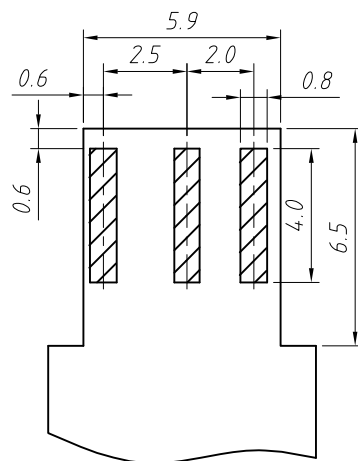
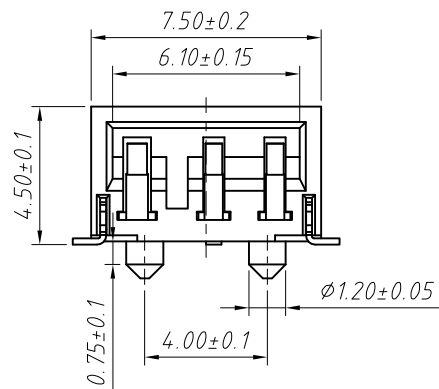
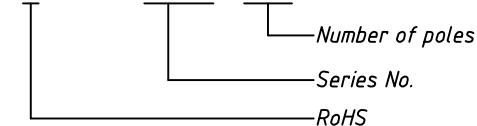
Insulator:LCP,UL94V-0,Beige
 Contacts:Phosphor Bronze,Tin-plated
 Solder Tab:Phosphor Bronze,Tin-plated

Main Specifications

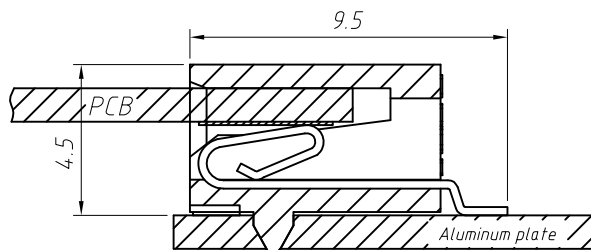
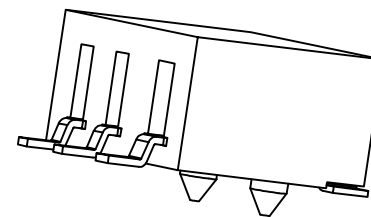
Thickness:1.00mm
 Contact Resistance: $\leq 20m\Omega$
 Insulation Resistance: $\geq 800M\Omega$
 Rated Voltage:250/150V AC DC
 Rated Current:1.0A AC DC
 Withstanding Voltage:1500V AC/minute
 Temperature Range: $-25^{\circ}C \sim +105^{\circ}C$

Order Information


L-KLS2-L47M-03P



Mating Aluminum plate detail



Assembly Layout

GENERAL TOLERANCE		ANGLE TOLERANCE		PROJECTION	Description:
X	± 0.15	X	$\pm 5^{\circ}$	UNITS	mm
.X	± 0.03	.X	$\pm 3^{\circ}$	SHEET SIZE	A4
.XX	± 0.05	.XX	$\pm 2^{\circ}$	KLS P/N:	L-KLS2-L47M-03P
Draw by:	Jenny	Date:	2018-03-10	 NingBo KLS ELECTRONIC CO.,L TD.	
Check by:		Date:	2018-03-10		
SCALE		SHEET	1 OF 1		

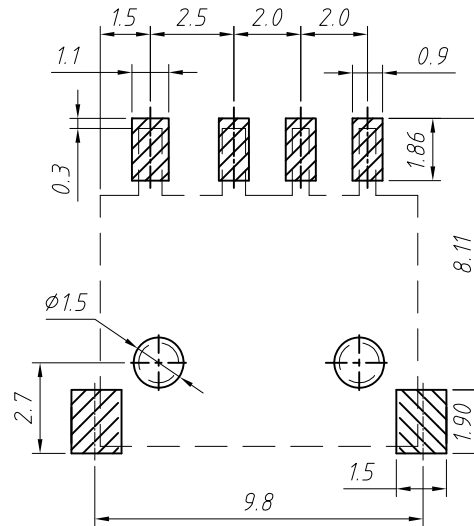
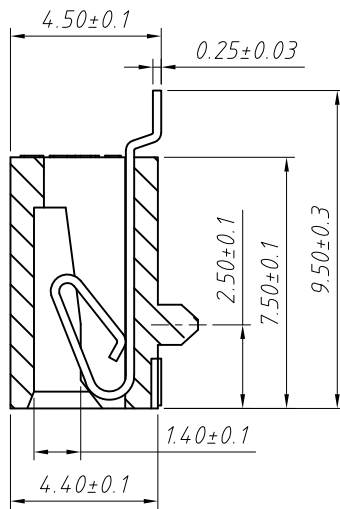
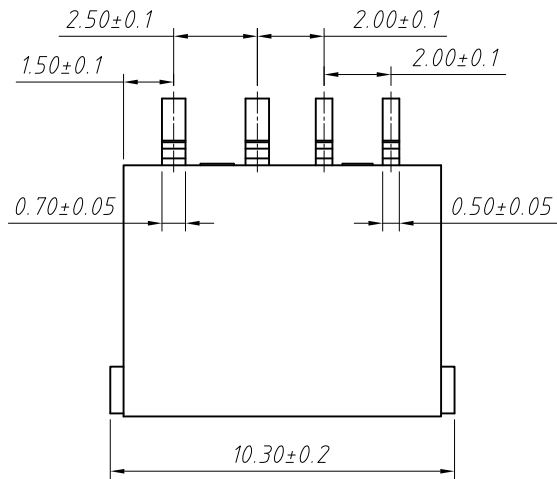
EDGE Connector for T8 LED Lighting

L-KLS2-L47M-03P



NingBo KLS ELECTRONIC CO.,L TD.

1 RoHS Compliant



Board Layout

MATERIAL

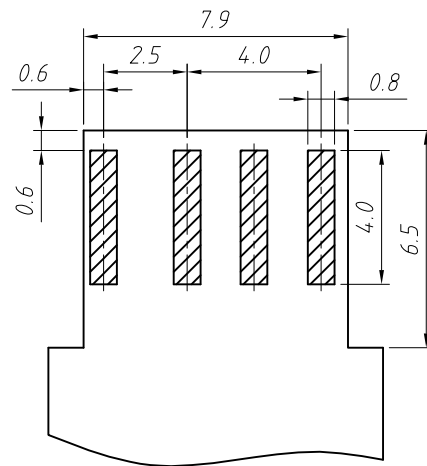
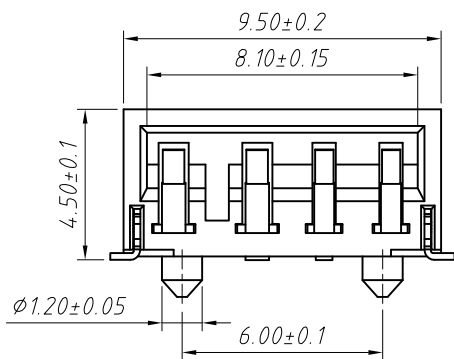
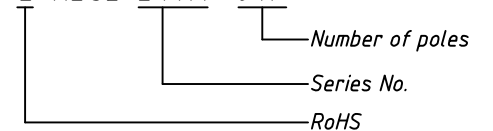
Insulator:LCP,UL94V-0,Beige
 Contacts:Phosphor Bronze,Tin-plated
 Solder Tab:Phosphor Bronze,Tin-plated

Main Specifications

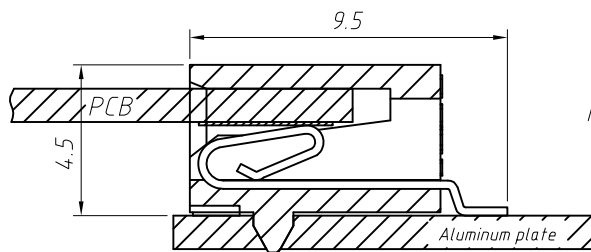
Thickness:1.00mm
 Contact Resistance: $\leq 20m\Omega$
 Insulation Resistance: $\geq 800M\Omega$
 Rated Voltage:250/150V AC DC
 Rated Current:1.0A AC DC
 Withstanding Voltage:1500V AC/minute
 Temperature Range: $-25^{\circ}C \sim +105^{\circ}C$

Order Information

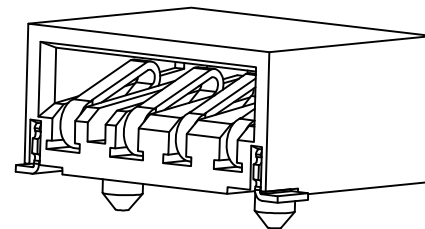
L-KLS2-L47M-04P



Mating Aluminum plate detail



Assembly Layout



GENERAL TOLERANCE		ANGLE TOLERANCE		PROJECTION	Description:
X	± 0.15	X	$\pm 5^{\circ}$	UNITS	EDGE Connector for T8 LED Lighting
.X	± 0.03	.X	$\pm 3^{\circ}$	SHEET SIZE	
.XX	± 0.05	.XX	$\pm 2^{\circ}$	KLS P/N:	
Draw by:	Jenny	Date:	2018-03-10	 NingBo KLS ELECTRONIC CO.,L TD.	L-KLS2-L47M-04P
Check by:		Date:	2018-03-10		
SCALE		SHEET	1 OF 1		