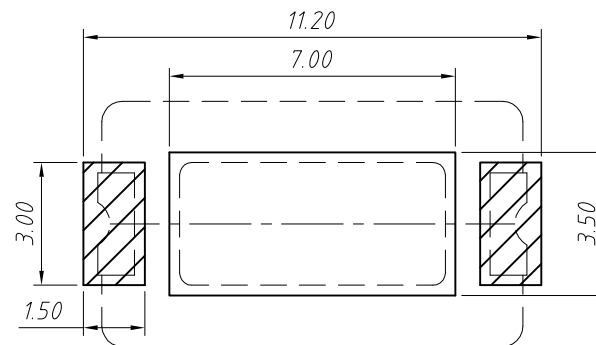
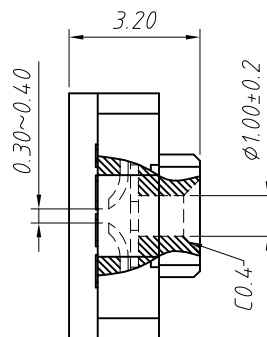
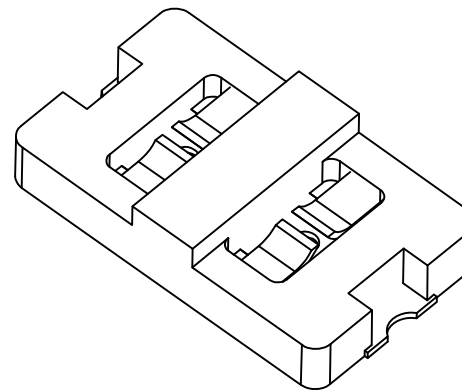
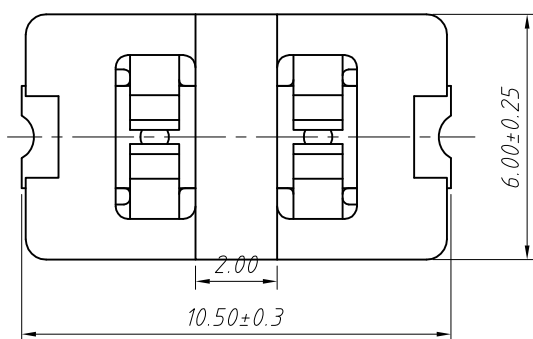
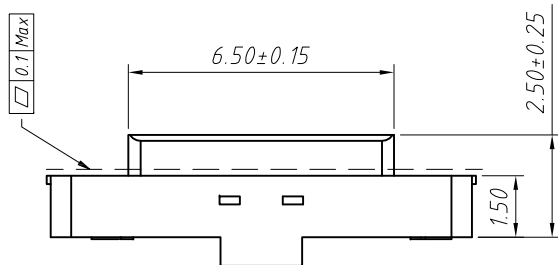
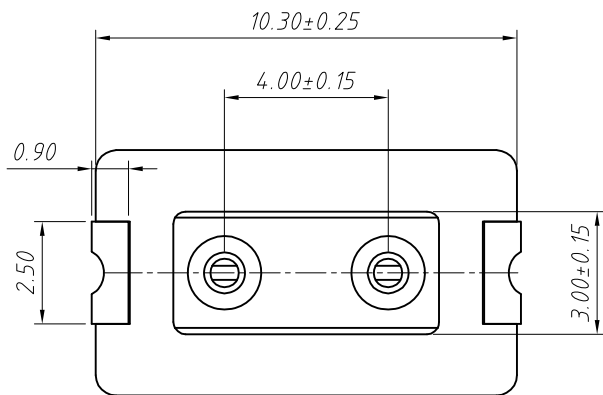


RoHS Compliant



Board Layout
General Tolerance: ±0.05

MATERIAL
Insulator: LCP, UL 94V-0, Beige
Contact: Phosphor Bronze, Sn-plated

Main Specifications
Contact Resistance: ≤20mΩ
Insulation Resistance: ≥1000MΩ
Rated Voltage: 125V AC DC
Rated Current: 1.0A AC DC
Withstanding Voltage: 1000V AC/minute
Temperature Range: -40 °C ~ +120 °C

Order Information
L-KLS2-L91
Series No.
RoHS

GENERAL TOLERANCE		ANGLE TOLERANCE		PROJECTION		Description:	
X	±0.15	X	±5°	UNITS	mm	Board to Board Link, for LED Lighting, Pitch 4.00mm L-KLS2-L91	
.X	±0.03	.X	±3°	SHEET SIZE	A4		
.XX	±0.05	.XX	±2°	KLS P/N:			
Draw by:	Jenny	Date:	2018-03-10	 NingBo KLS ELECTRONIC CO.,L TD.			
Check by:		Date:	2018-03-10				
SCALE		SHEET	1 OF 1				