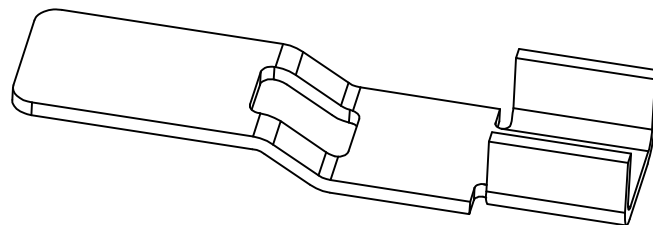
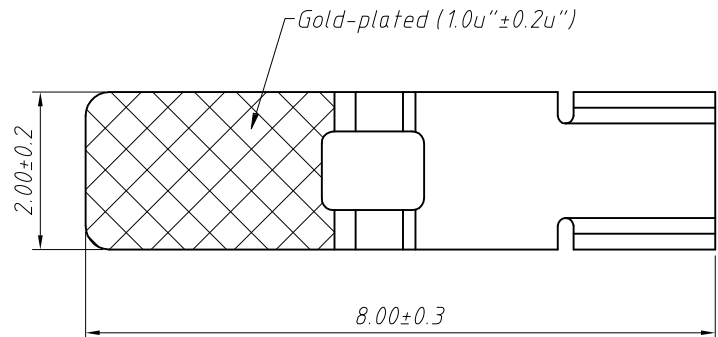


1
RoHS Compliant



MATERIAL

Contacts: Phosphor Bronze,
Gold+ Tin-plated

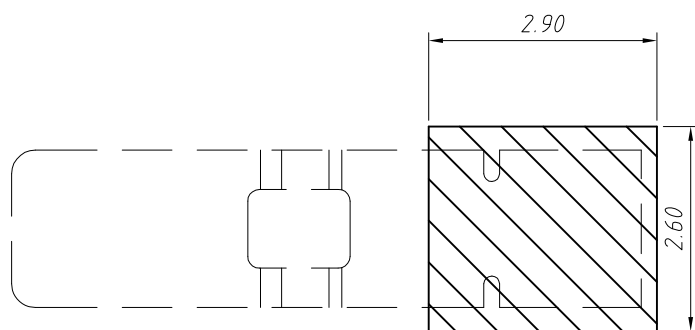
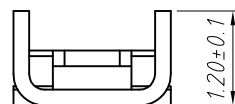
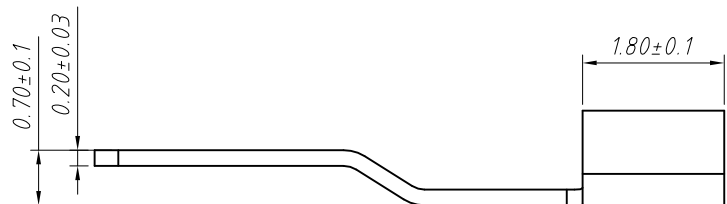
Main Specifications

Contact Resistance: ≤20mΩ
 Insulation Resistance: ≥800MΩ
 Rated Voltage: 250V AC DC
 Rated Current: 3.0A AC DC
 Withstanding Voltage: 1500V AC/minute
 Temperature Range: -45 °C ~ +125 °C

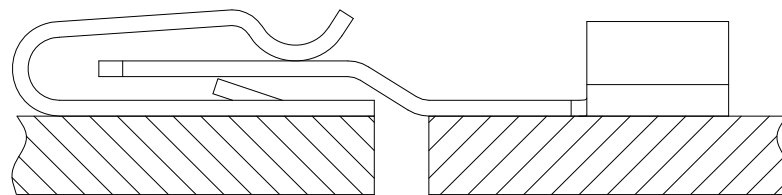
Order Information

L-KLS2- L77 A


Series No.
RoHS



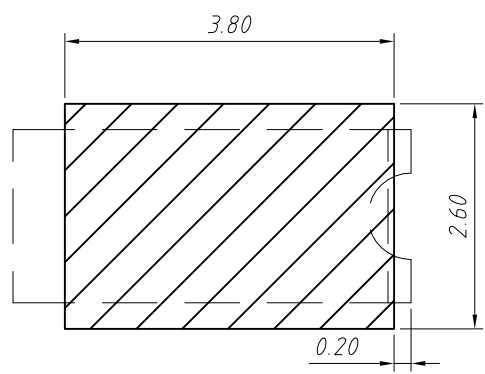
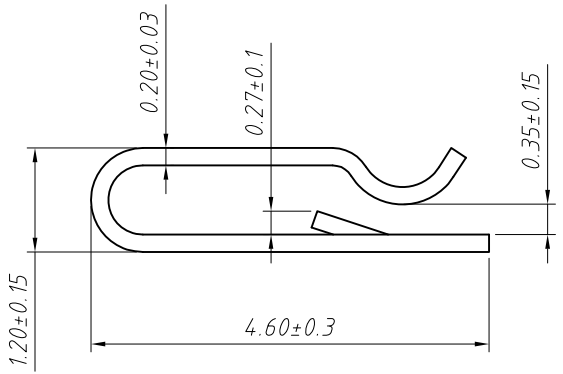
Board Layout
General tolerance: ±0.05



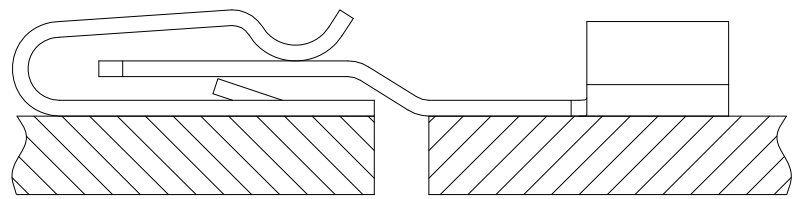
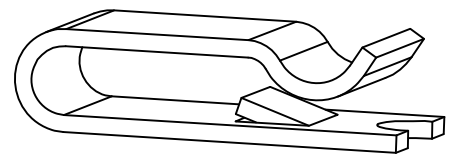
Assembly Layout

GENERAL TOLERANCE		ANGLE TOLERANCE		PROJECTION		Description:	
X	±0.15	X	±5°	UNITS	mm	Board to Board Link, Naked Terminal SMT	
.X	±0.03	.X	±3°	SHEET SIZE	A4		
.XX	±0.05	.XX	±2°	KLS P/N:			
Draw by:	Jenny	Date:	2018-03-10	 NingBo KLS ELECTRONIC CO.,L TD.			
Check by:		Date:	2018-03-10				
SCALE		SHEET	1	OF	1		

1
RoHS Compliant



Board Layout
General tolerance: ±0.05




Assembly Layout

MATERIAL
Contacts: Phosphor Bronze,
Gold+ Tin-plated

Main Specifications
Contact Resistance: ≤20mΩ
Insulation Resistance: ≥800MΩ
Rated Voltage: 250V AC DC
Rated Current: 3.0A AC DC
Withstanding Voltage: 1500V AC/minute
Temperature Range: -45 °C ~ +125 °C

Order Information
L-KLS2- L77 B
Series No.
RoHS

GENERAL TOLERANCE		ANGLE TOLERANCE		PROJECTION		Description:	
.X	±0.15	.X	±5°	UNITS	mm	Board to Board Link, Naked Terminal SMT L-KLS2-L77B	
.X	±0.03	.X	±3°	SHEET SIZE	A4		
.XX	±0.05	.XX	±2°	KLS P/N:			
Draw by:	Jenny	Date:	2018-03-10	 NingBo KLS ELECTRONIC CO.,L TD.			
Check by:		Date:	2018-03-10				
SCALE		SHEET	1 OF 1				