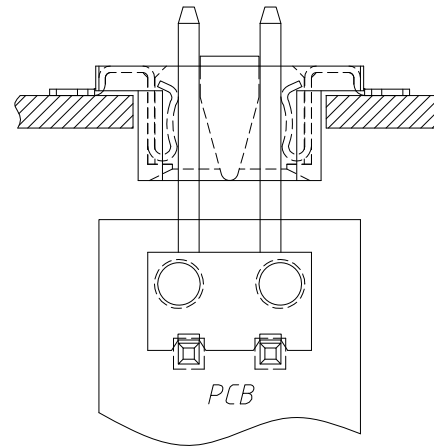
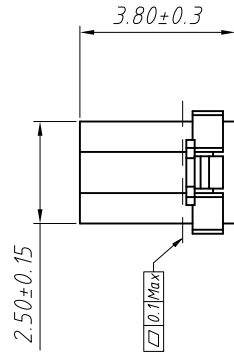
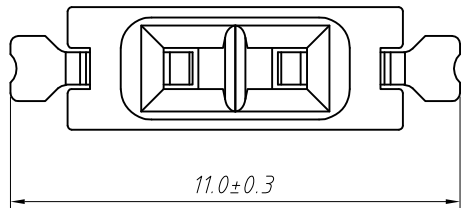
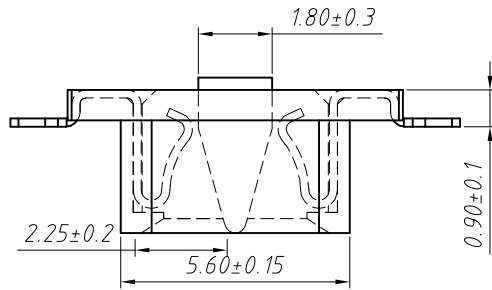
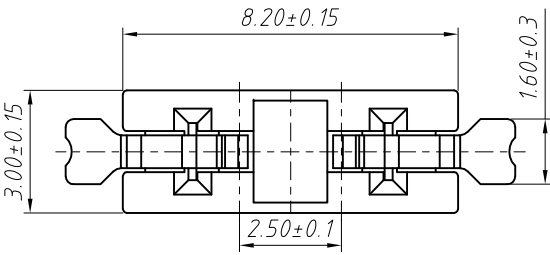
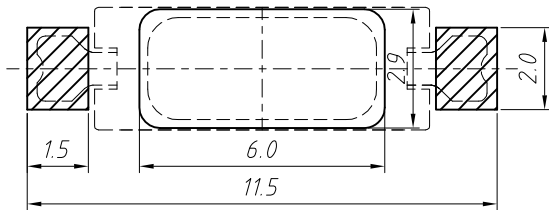


1 RoHS Compliant



Assembly Layout



Board Layout

MATERIAL  
 Insulator:LCP,UL 94 V-0,Beige  
 Contacts:Phosphor Bronze,Tin-plated

Main Specifications  
 Poles:02P  
 Contact Resistance: $\leq 20m\Omega$   
 Insulation Resistance: $\geq 1000M\Omega$   
 Rated Voltage:125V AC DC  
 Rated Current:1.0A AC DC  
 Withstanding Voltage:1500V AC/minute  
 Temperature Range:  $-40^{\circ}C \sim +120^{\circ}C$

Order Information  
 L-KLS2- L70  
 └── Series No.  
 └── RoHS

GENERAL TOLERANCE		ANGLE TOLERANCE		PROJECTION		Description:	
X.	$\pm 0.15$	X.	$\pm 5^{\circ}$	UNITS		Board to Board Link, for LED Lighting,Pitch 2.0mm L-KLS2-L70	
.X	$\pm 0.03$	.X	$\pm 3^{\circ}$	SHEET SIZE	mm		
.XX	$\pm 0.05$	.XX	$\pm 2^{\circ}$		A4		
				KLS P/N:			
Draw by:	Jenny	Date:	2018-03-10	NingBo KLS ELECTRONIC CO.,L TD.			
Check by:		Date:	2018-03-10				
SCALE		SHEET	1 OF 1				