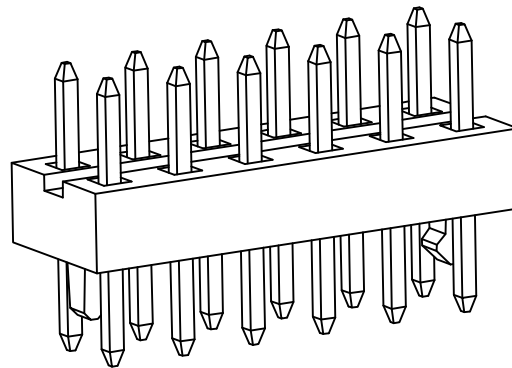
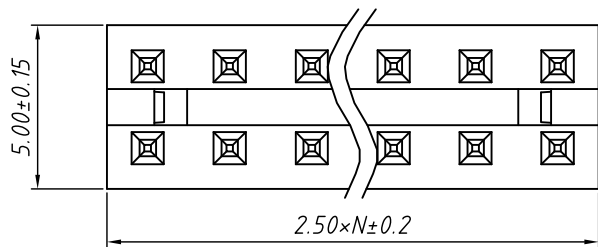


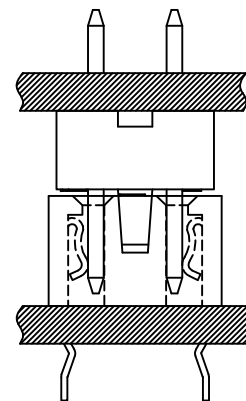
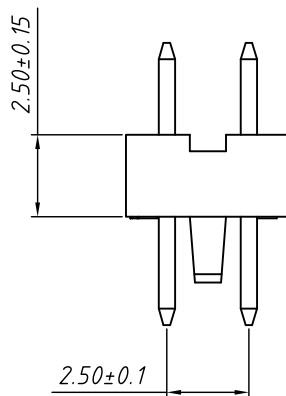
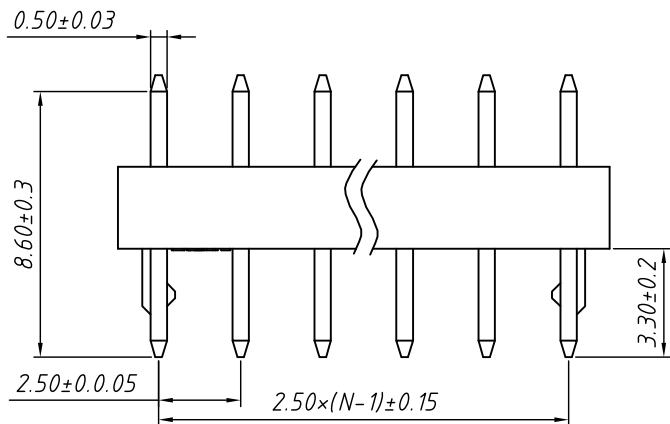
1 RoHS Compliant



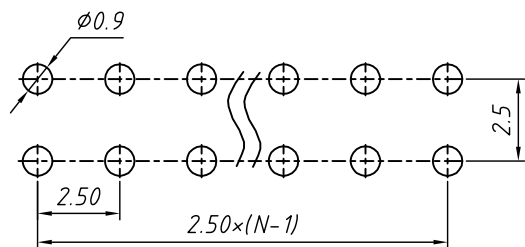
MATERIAL
 Insulator: PA46, UL 94V-0, Beige
 Contacts: Brass, Tin-plated
Main Specifications
 Poles: 04~12P
 Contact Resistance: $\leq 20m\Omega$
 Insulation Resistance: $\geq 1000M\Omega$
 Rated Voltage: 125V AC DC
 Rated Current: 1.0A AC DC
 Withstanding Voltage: 1000V AC/minute
 Temperature Range: $-40^{\circ}C \sim +110^{\circ}C$

Order Information


L-KLS2- L64 A - 2xN
 RoHS
 Series No.
 type: A - Male Pin
 Number of poles: 2x2, 2x3, 2x4, 2x5, 2x6



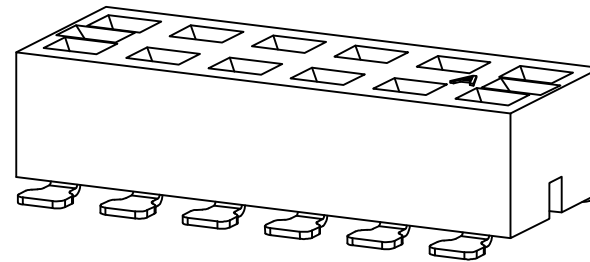
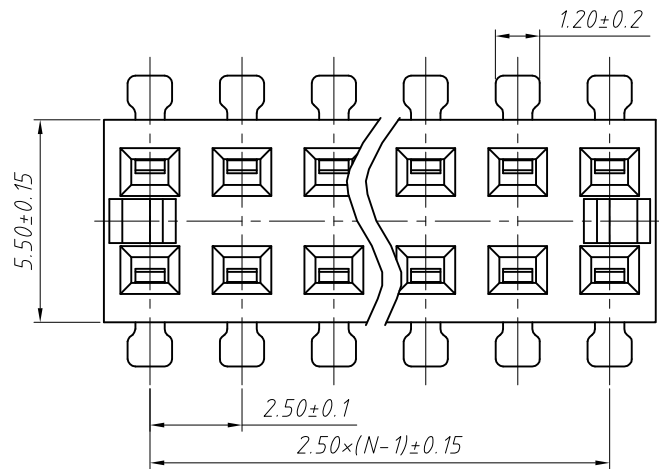
Assembly Layout



Board Layout
 General Tolerance: ± 0.05

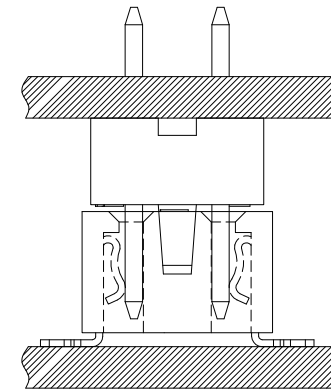
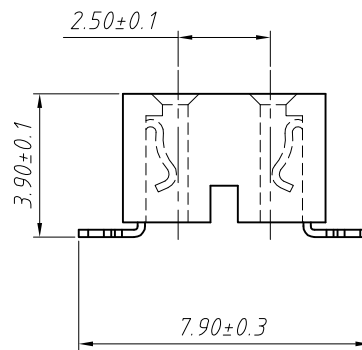
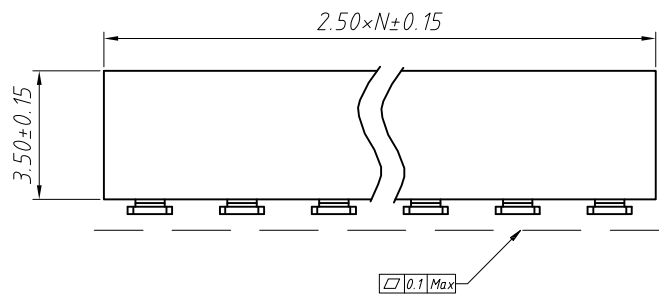
GENERAL TOLERANCE		ANGLE TOLERANCE		PROJECTION		Description:	
.X	± 0.15	.X	$\pm 5^{\circ}$	UNITS	mm	Board to Board Link, for LED Lighting, Pitch 2.50mm L-KLS2-L64A-2xN	
.X	± 0.03	.X	$\pm 3^{\circ}$	SHEET SIZE	A4		
.XX	± 0.05	.XX	$\pm 2^{\circ}$		KLS P/N:		
Draw by:	Jenny	Date:	2018-03-10	 NingBo KLS ELECTRONIC CO.,L TD.			
Check by:		Date:	2018-03-10				
SCALE		SHEET	1 OF 1				

RoHS Compliant



MATERIAL
 Insulator: PA46, UL94V-0, Beige
 Contacts: Phosphor Bronze, Tin-plated

Main Specifications
 Poles: 04~12P
 Contact Resistance: $\leq 20m\Omega$
 Insulation Resistance: $\geq 1000M\Omega$
 Rated Voltage: 125V AC DC
 Rated Current: 1.0A AC DC
 Withstanding Voltage: 1000V AC/minute
 Temperature Range: $-40^{\circ}C \sim +110^{\circ}C$

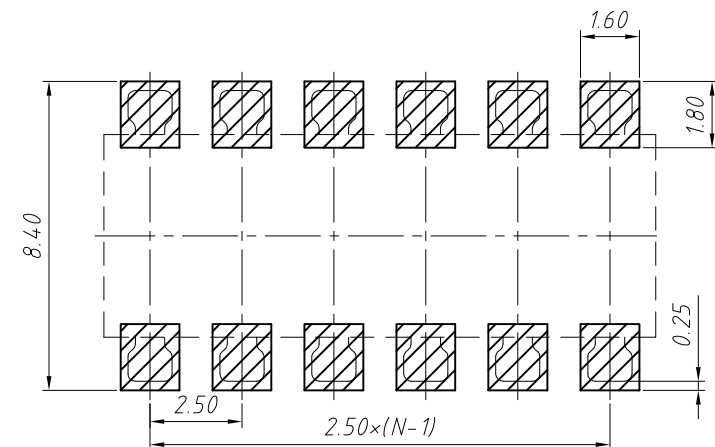


Assembly Layout

Order Information
 L-KLS2- L64 AWV-2xN

RoHS
 Series No.
 type:
 AWV- SMD Female Pin
 Number of poles: 2x2

2x3
 2x4
 2x5
 2x6



Board Layout
 General Tolerance: ± 0.05

GENERAL TOLERANCE	ANGLE TOLERANCE	PROJECTION	Description:
X. ± 0.15	X. $\pm 5^{\circ}$	UNITS	Board to Board Link, for LED Lighting, Pitch 2.5mm L-KLS2-L64AWV-2xN
.X ± 0.03	.X $\pm 3^{\circ}$	SHEET SIZE	
.XX ± 0.05	.XX $\pm 2^{\circ}$	KLS P/N:	

Draw by:	Jenny	Date:	2018-03-10
Check by:		Date:	2018-03-10
SCALE		SHEET	1 OF 1

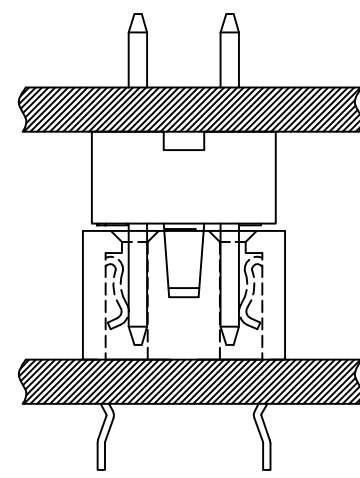
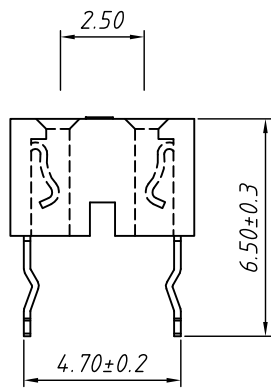
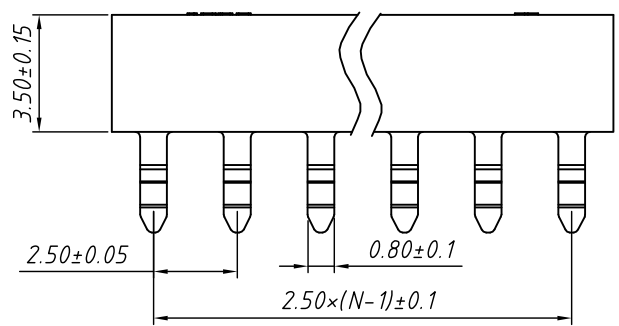
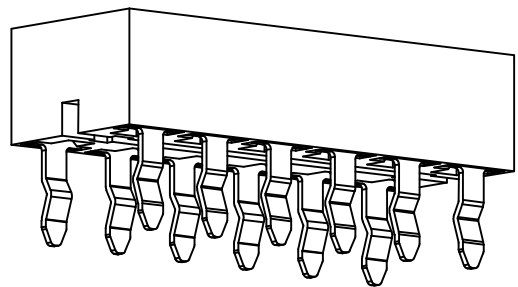
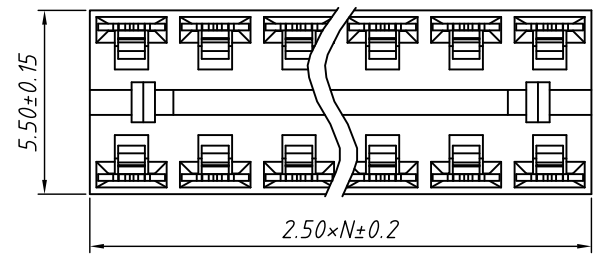
NingBo KLS ELECTRONIC CO.,LTD.

1 RoHS Compliant

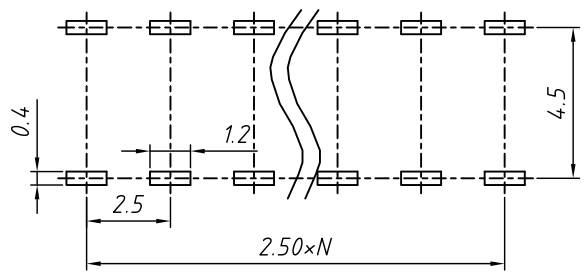
MATERIAL
 Insulator: PA46, UL 94 V-0, Beige
 Contacts: Phosphor Bronze, Tin-plated

Main Specifications
 Poles: 04 ~ 12P
 Contact Resistance: $\leq 20m\Omega$
 Insulation Resistance: $\geq 1000M\Omega$
 Rated Voltage: 125V AC DC
 Rated Current: 1.0A AC DC
 Withstanding Voltage: 1000V AC/minute
 Temperature Range: $-40^{\circ}C \sim +110^{\circ}C$

Order Information
 L-KLS2- L64 Y - 2xN
 RoHS
 Series No.
 type: Y- Female Pin
 Number of poles: 2x2
 2x3
 2x4
 2x5
 2x6



Assembly Layout



Suggested PCB Layout
 (Component Side)

GENERAL TOLERANCE		ANGLE TOLERANCE		PROJECTION	Description:
X. ± 0.15		X. $\pm 5^{\circ}$		UNITS	Board to Board Link, for LED Lighting, Pitch 2.5mm L-KLS2-L64 Y-2xN
.X ± 0.03		.X $\pm 3^{\circ}$		SHEET SIZE	
.XX ± 0.05		.XX $\pm 2^{\circ}$		KLS P/N:	

Draw by:	Jenny	Date:	2018-03-10
Check by:		Date:	2018-03-10
SCALE		SHEET	1 OF 1



NingBo KLS ELECTRONIC CO.,LTD.