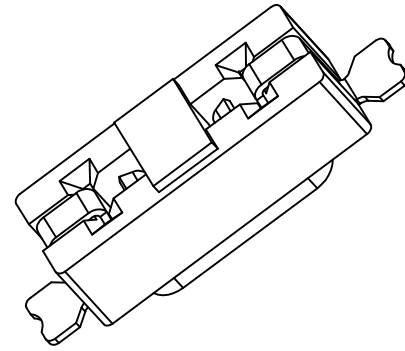
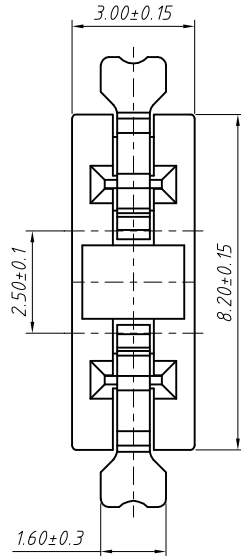
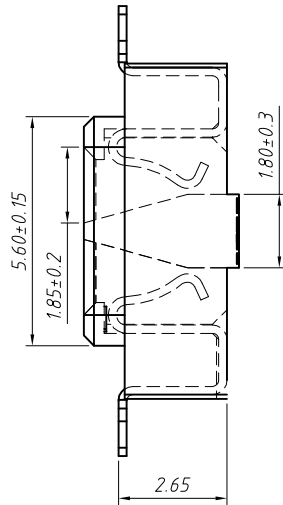
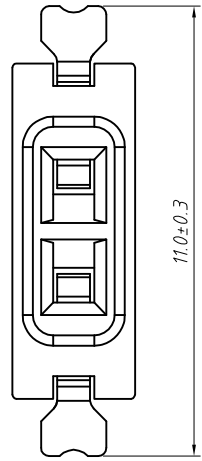


1 RoHS Compliant

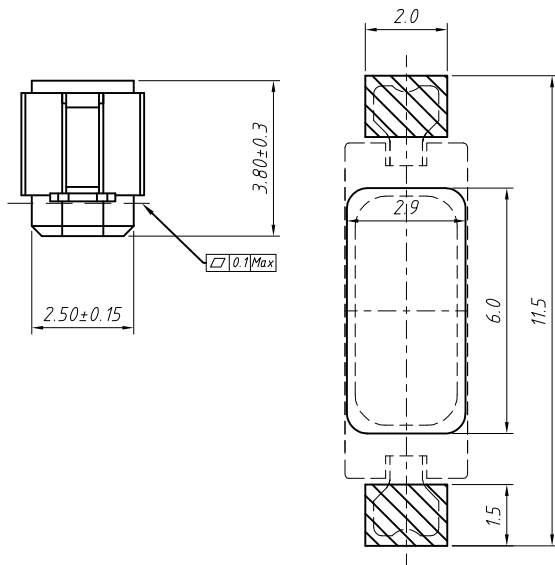


MATERIAL
 Insulator: LCP, UL 94 V-0, Beige
 Contacts: Phosphor Bronze, Tin-plated

Main Specifications
 Poles: 02P
 Contact Resistance: $\leq 20m\Omega$
 Insulation Resistance: $\geq 1000M\Omega$
 Rated Voltage: 125V AC DC
 Rated Current: 1.0A AC DC
 Withstanding Voltage: 1500V AC/minute
 Temperature Range: $-40^{\circ}C \sim +120^{\circ}C$

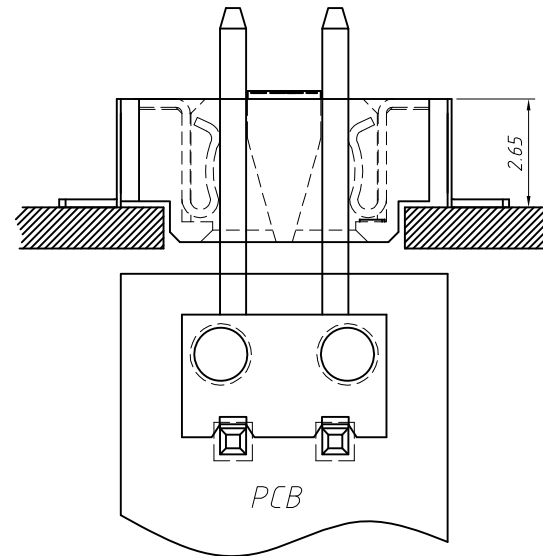
Order Information

L-KLS2- L62Y
 └── Series No.
 └── RoHS



Board Layout

General Tolerance: ± 0.05



Assembly Layout

GENERAL TOLERANCE		ANGLE TOLERANCE		PROJECTION		Description:	
.X	± 0.15	.X	$\pm 5^{\circ}$	UNITS	mm	Board to Board Link, for LED Bulb, Pitch 2.5mm L-KLS2-L62Y	
.X	± 0.03	.X	$\pm 3^{\circ}$	SHEET SIZE	A4		
.XX	± 0.05	.XX	$\pm 2^{\circ}$	KLS P/N:			
Draw by:	Jenny	Date:	2018-03-10	 NingBo KLS ELECTRONIC CO.,L TD.			
Check by:		Date:	2018-03-10				
SCALE		SHEET	1 OF 1				