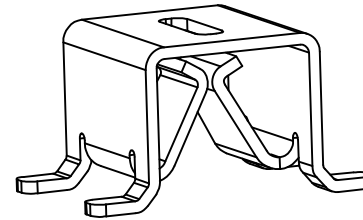
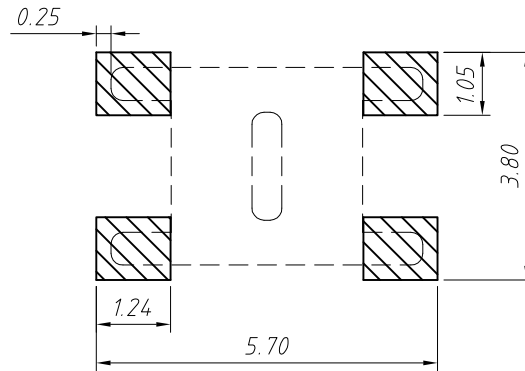
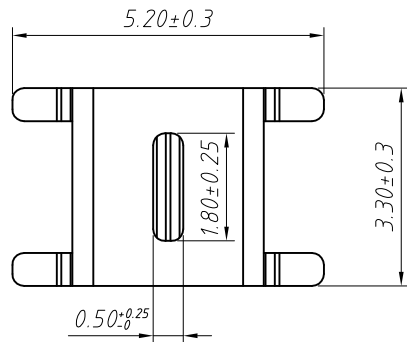


RoHS Compliant

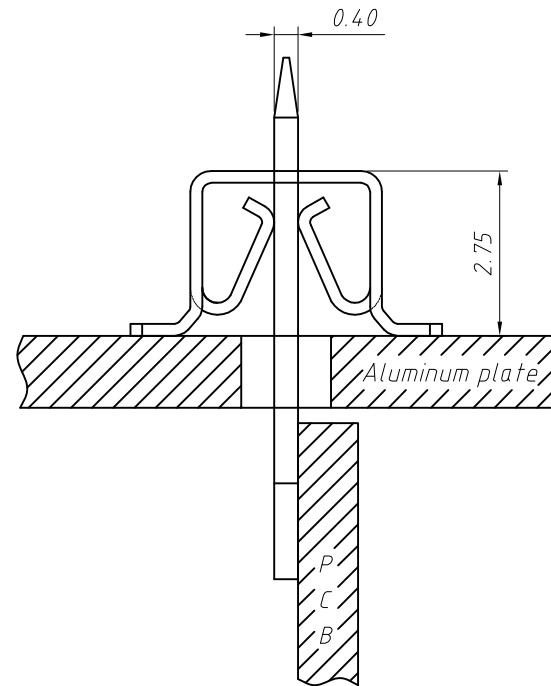
MATERIAL
Contacts: Phosphor Bronze, Tin-plated

Main Specifications
Poles: 01P
Contact Resistance: $\leq 20m\Omega$
Insulation Resistance: $\geq 800M\Omega$
Rated Voltage: 250V AC DC
Rated Current: 1.0A AC DC
Withstanding Voltage: 1500V AC/minute
Temperature Range: $-45^{\circ}C \sim +125^{\circ}C$

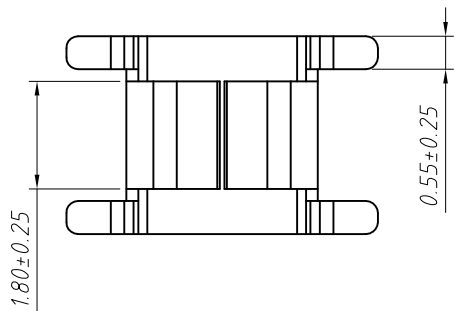
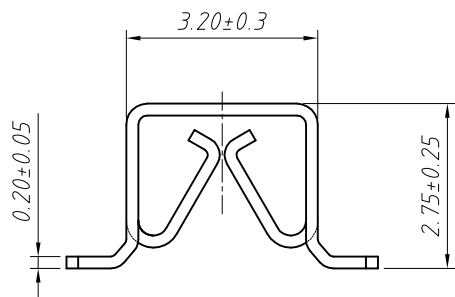
Order Information
L-KLS2- L57
Series No.
RoHS



Board Layout

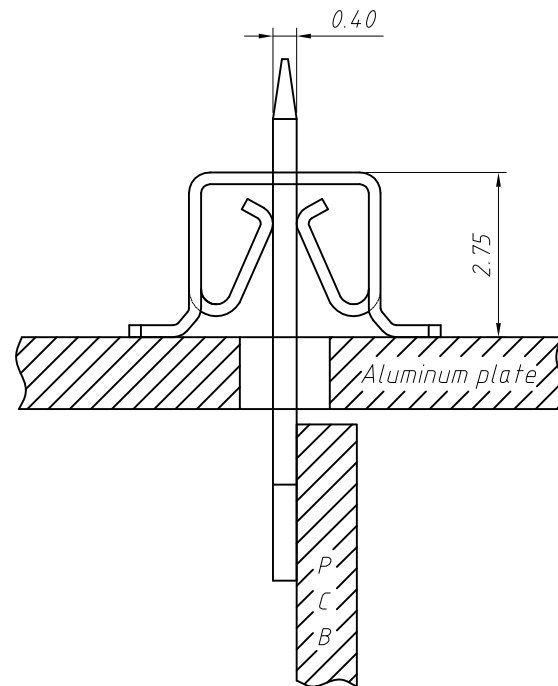
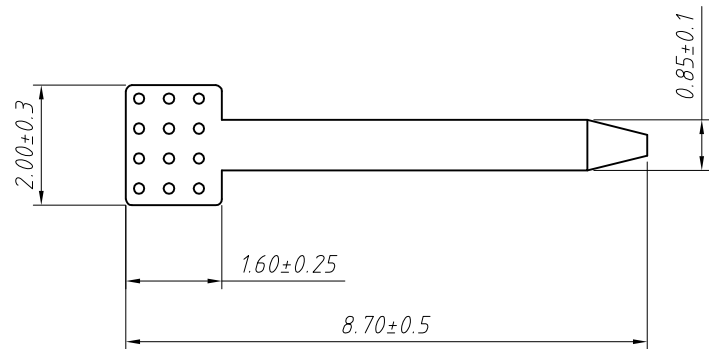


Assembly Layout



GENERAL TOLERANCE		ANGLE TOLERANCE		PROJECTION	Description:
X	± 0.15	X	$\pm 5^{\circ}$	UNITS	mm
.X	± 0.03	.X	$\pm 3^{\circ}$	SHEET SIZE	A4
.XX	± 0.05	.XX	$\pm 2^{\circ}$	KLS P/N:	L-KLS2-L57
Draw by:	Jenny	Date:	2018-03-10	 NingBo KLS ELECTRONIC CO.,LTD.	
Check by:		Date:	2018-03-10		
SCALE		SHEET	1 OF 1		

1 RoHS Compliant



MATERIAL
Contacts: Phosphor Bronze, Tin-plated

Main Specifications
Poles: 01P
Contact Resistance: $\leq 20m\Omega$
Insulation Resistance: $\geq 800M\Omega$
Rated Voltage: 250V AC DC
Rated Current: 1.0A AC DC
Withstanding Voltage: 1500V AC/minute
Temperature Range: $-45^{\circ}C \sim +125^{\circ}C$

Order Information
L-KLS2- L57B
Series No.
RoHS

Assembly Layout

GENERAL TOLERANCE		ANGLE TOLERANCE		PROJECTION	Description:
X	± 0.15	X	$\pm 5^{\circ}$	UNITS	mm
.X	± 0.03	.X	$\pm 3^{\circ}$	SHEET SIZE	A4
.XX	± 0.05	.XX	$\pm 2^{\circ}$	KLS P/N:	L-KLS2-L57B
Draw by:	Jenny	Date:	2018-03-10	 NingBo KLS ELECTRONIC CO.,L TD.	
Check by:		Date:	2018-03-10		
SCALE		SHEET	1 OF 1		

Wire to Board Link, for LED Bulb

L-KLS2-L57B



NingBo KLS ELECTRONIC CO.,L TD.