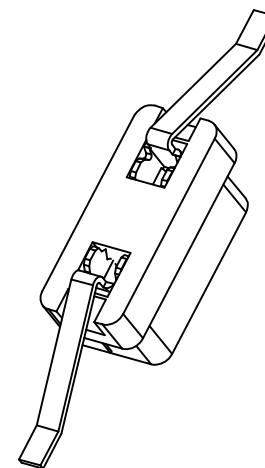
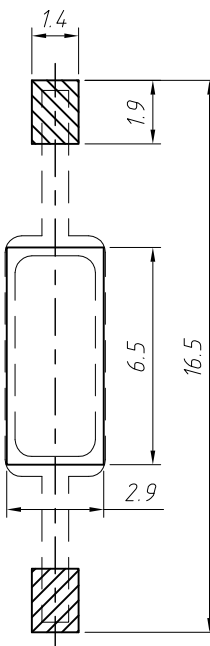
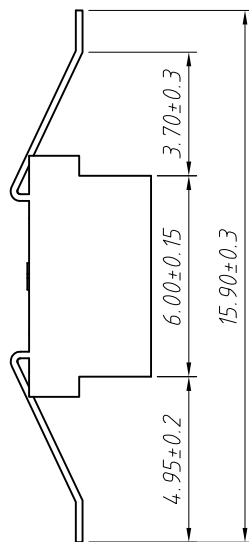
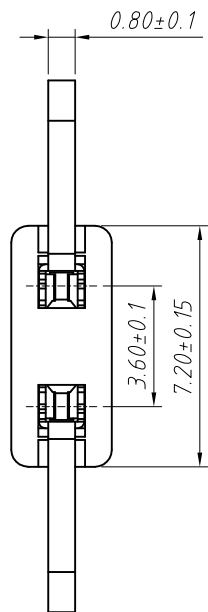


1 RoHS Compliant

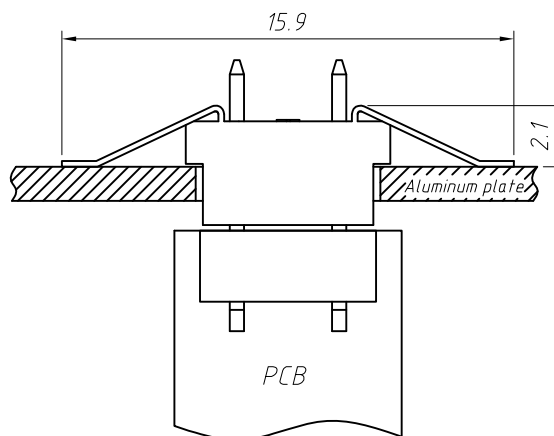
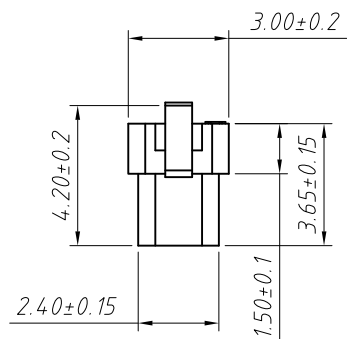


MATERIAL
 Insulator: LCP, UL 94 V-0, Beige
 Contacts: Phosphor Bronze, Tin-plated

Main Specifications
 Poles: 02P
 Contact Resistance: $\leq 20m\Omega$
 Insulation Resistance: $\geq 1000M\Omega$
 Rated Voltage: 125V AC DC
 Rated Current: 1.0A AC DC
 Withstanding Voltage: 1500V AC/minute
 Temperature Range: $-25^{\circ}C \sim +105^{\circ}C$

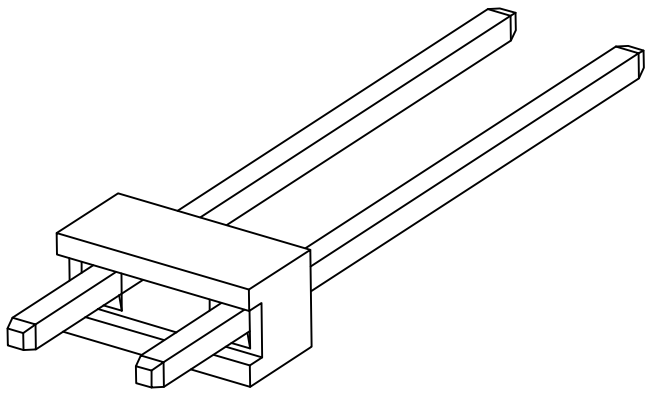
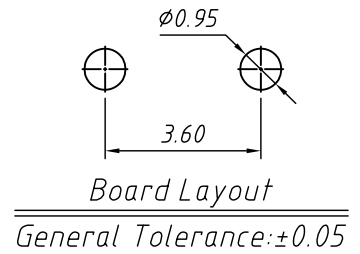
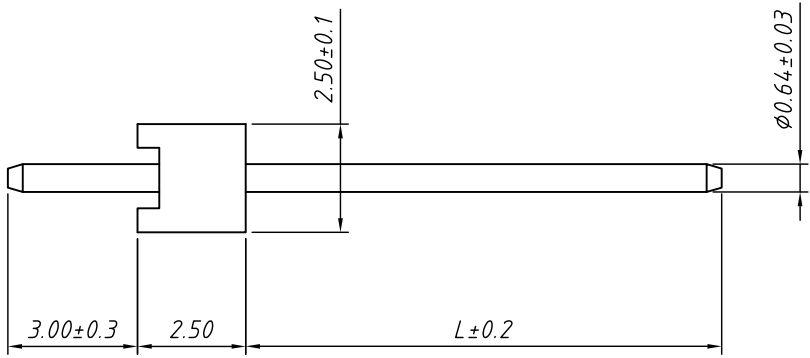
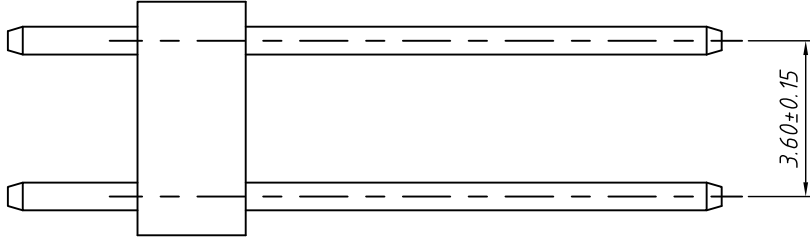
Order Information
 L-KLS2- L45Y
 └── Series No.
 └── RoHS

Board Layout



GENERAL TOLERANCE		ANGLE TOLERANCE		PROJECTION	Description:	
.X	± 0.15	.X	$\pm 5^{\circ}$	UNITS		Board to Board Link, for LED Bulb, Pitch 3.6mm L-KLS2-L45Y
.X	± 0.03	.X	$\pm 3^{\circ}$	SHEET SIZE	A4	
.XX	± 0.05	.XX	$\pm 2^{\circ}$	KLS P/N:		
Draw by:	Jenny	Date:	2018-03-10	 NingBo KLS ELECTRONIC CO.,LTD.		
Check by:		Date:	2018-03-10			
SCALE		SHEET	1 OF 1			

1
RoHS Compliant



MATERIAL
 Insulator: PA46, UL 94 V-0, Beige
 Contacts: Brass, Tin-plated

Main Specifications
 Contact Resistance: $\leq 20m\Omega$
 Insulation Resistance: $\geq 1000M\Omega$
 Rated Voltage: 125V AC DC
 Rated Current: 1.0A AC DC
 Withstanding Voltage: 1500V AC/minute
 Temperature Range: $-40^{\circ}C \sim +110^{\circ}C$

Order Information
 L-KLS2- L45A-XX

RoHS ———
 Series No. ———
 Pin Lenges Code: L Size ———

GENERAL TOLERANCE		ANGLE TOLERANCE		PROJECTION		Description:	
X.	±0.15	X.	±5°	UNITS	mm	Board to Board Link, for LED Bulb, Pitch 3.6mm L-KLS2-L45A-XX	
.X	±0.03	.X	±3°	SHEET SIZE	A4		
.XX	±0.05	.XX	±2°		KLS P/N:		
Draw by:	Jenny	Date:	2018-03-10			NingBo KLS ELECTRONIC CO.,L TD.	
Check by:		Date:	2018-03-10				
SCALE		SHEET	1 OF 1				