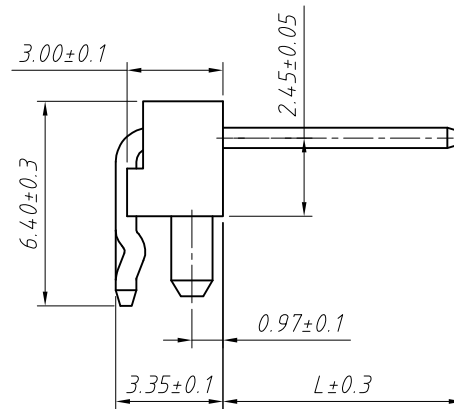
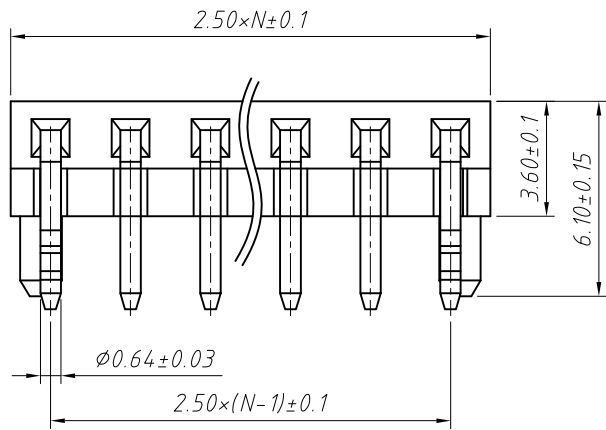
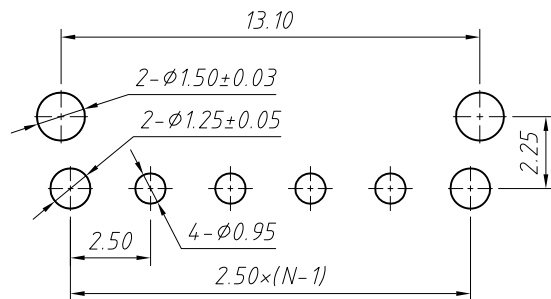
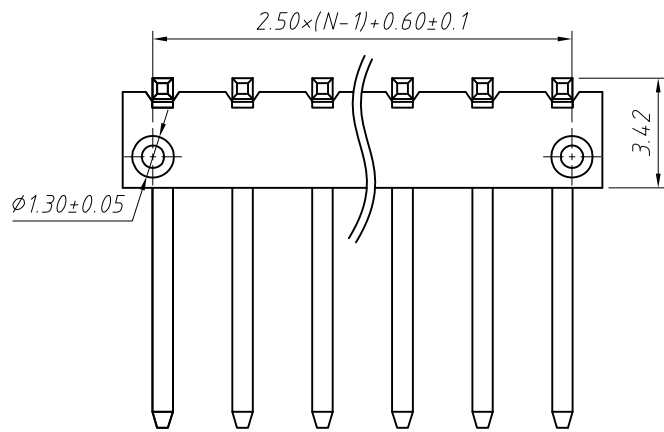


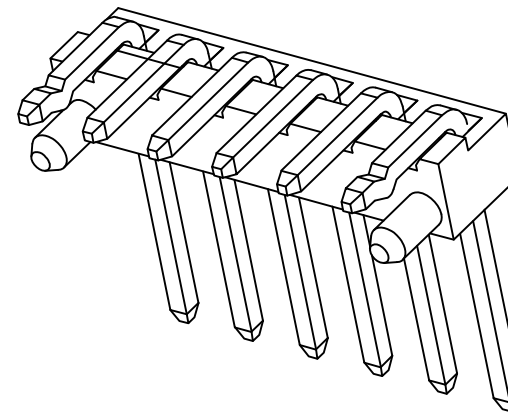
RoHS Compliant



Lengs Code	L±0.3mm
075	7.5
085	8.5
105	10.5
160	16.0



Board Layout
General Tolerance: ±0.05



MATERIAL

Insulator:LCP,UL94V-0,Beige
Contacts:Brass,Tin-plated

Main Specifications

Poles:02-06P
Contact Resistance:≤20mΩ
Insulation Resistance:≥1000MΩ
Rated Voltage:125V AC DC
Rated Current:1.0A AC DC
Withstanding Voltage:1000V AC/minute
Temperature Range: -40 °C ~ +120 °C

Order Information

L-KLS2- L42A-XXP - XX

RoHS

Series No.

Number of Poles

Pin Lengs Code: L size

GENERAL TOLERANCE		ANGLE TOLERANCE		PROJECTION		Description:	
X.	±0.15	X.	±5°	UNITS		Board to Board Link,	
.X	±0.03	.X	±3°	SHEET SIZE	mm	for LED Bulb,Pitch 2.5mm	
.XX	±0.05	.XX	±2°		A4	L-KLS2-L42A-XXP-XX	
Draw by: Jenny		Date: 2018-03-10		KLS P/N:			
Check by:		Date: 2018-03-10					
SCALE		SHEET 1 OF 1					



NingBo KLS ELECTRONIC CO.,L TD.