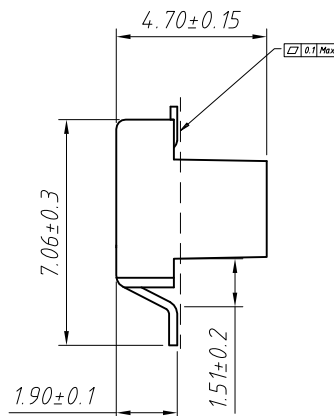
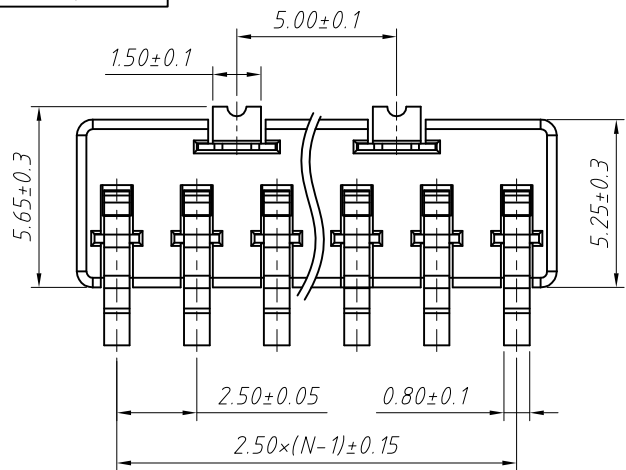
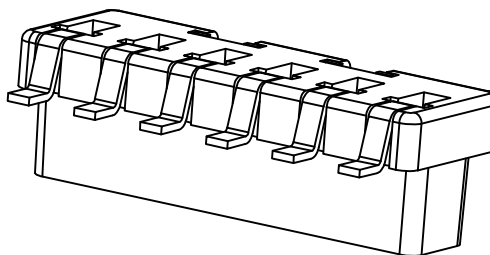
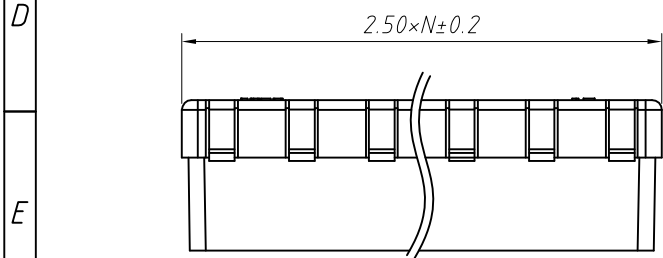


1 RoHS Compliant

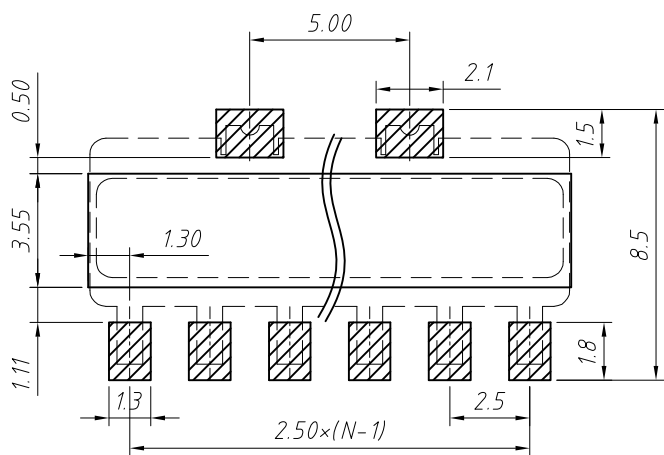


**MATERIAL**  
 Insulator: LCP, UL 94V-0, Beige  
 Contacts: Phosphor Bronze, Tin-plated  
 Solder Tab: Phosphor Bronze, Tin-plated

**Main Specifications**  
 Poles: 02-06P  
 Contact Resistance:  $\leq 20m\Omega$   
 Insulation Resistance:  $\geq 1000M\Omega$   
 Rated Voltage: 125V AC DC  
 Rated Current: 1.0A AC DC  
 Withstanding Voltage: 1000V AC/minute  
 Temperature Range:  $-40^\circ C \sim +120^\circ C$



**Order Information**  
 L-KLS2- L42Y-XXP  
 RoHS \_\_\_\_\_  
 Series No. \_\_\_\_\_  
 Number of Poles \_\_\_\_\_



Board Layout  
 General Tolerance:  $\pm 0.05$

GENERAL TOLERANCE		ANGLE TOLERANCE		PROJECTION	Description:	
X.	$\pm 0.15$	X.	$\pm 5^\circ$	UNITS	Board to Board Link, for LED Bulb, Pitch 2.5mm L-KLS2-L42Y-XXP	
.X	$\pm 0.03$	.X	$\pm 3^\circ$	SHEET SIZE		A4
.XX	$\pm 0.05$	.XX	$\pm 2^\circ$	KLS P/N:		
Draw by:	Jenny	Date:	2018-03-10	 NingBo KLS ELECTRONIC CO.,L TD.		
Check by:		Date:	2018-03-10			
SCALE		SHEET	1 OF 1			