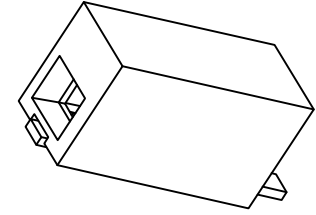
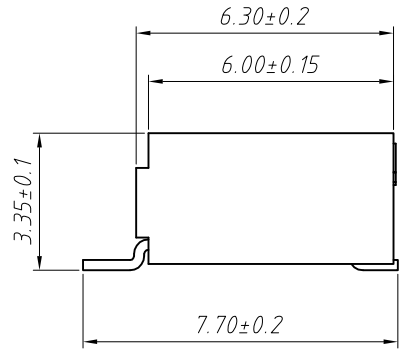
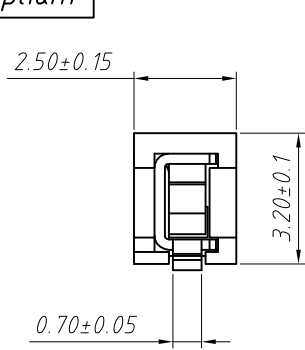
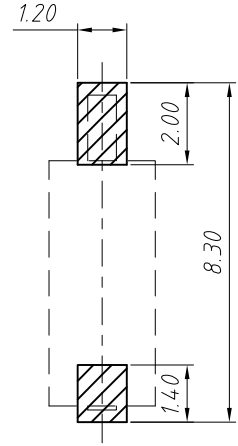
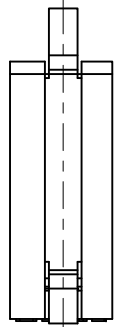


RoHS Compliant



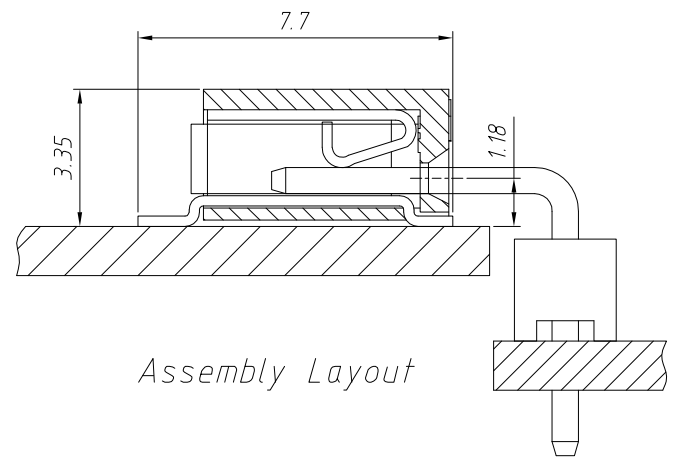
MATERIAL
 Insulator: LCP, UL 94 V-0, Beige
 Contacts: Phosphor Bronze, Tin-plated

Main Specifications
 Poles: 01-03P
 Contact Resistance: $\leq 20m\Omega$
 Insulation Resistance: $\geq 1000M\Omega$
 Rated Voltage: 125V AC DC
 Rated Current: 1.0A AC DC
 Withstanding Voltage: 1000V AC/minute
 Temperature Range: $-25^{\circ}C \sim +105^{\circ}C$



Board Layout
 General Tolerance: ± 0.05

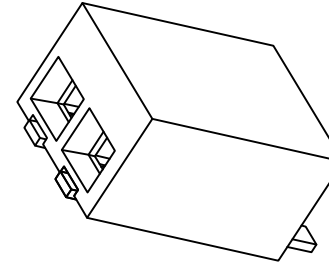
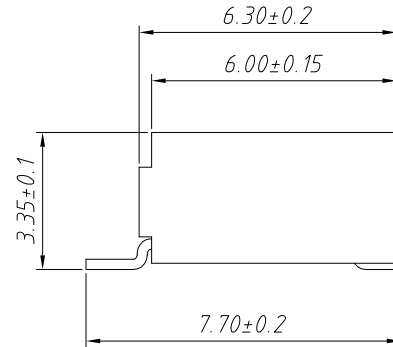
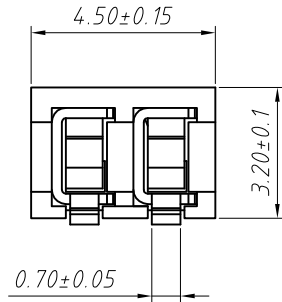
Order Information
 L-KLS2- L48Y- XXP
 RoHS
 Series No.
 Number of poles



Assembly Layout

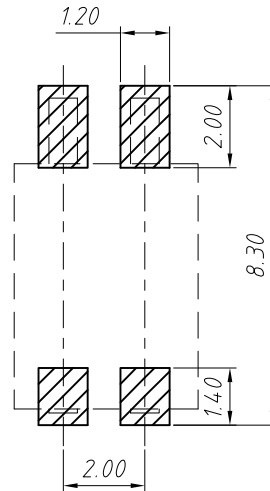
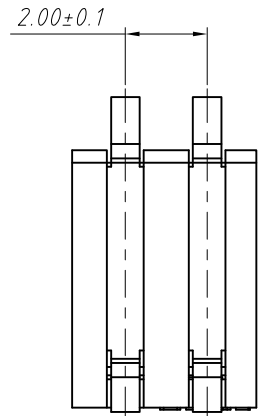
GENERAL TOLERANCE		ANGLE TOLERANCE		PROJECTION		Description:
.X	± 0.15	.X	$\pm 5^{\circ}$	UNITS	mm	Board to Board Link, for LED Lighting, Pitch 2.0mm L-KLS2-L48Y-XXP
.X	± 0.03	.X	$\pm 3^{\circ}$	SHEET SIZE	A4	
.XX	± 0.05	.XX	$\pm 2^{\circ}$		KLS P/N:	
Draw by:	Jenny	Date:	2018-03-10			NingBo KLS ELECTRONIC CO.,LTD.
Check by:		Date:	2018-03-10			
SCALE		SHEET	1 OF 1			

1 RoHS Compliant



MATERIAL
 Insulator: LCP, UL 94V-0, Beige
 Contacts: Phosphor Bronze, Tin-plated

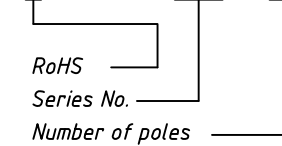
Main Specifications
 Poles: 01-03P
 Contact Resistance: $\leq 20m\Omega$
 Insulation Resistance: $\geq 1000M\Omega$
 Rated Voltage: 125V AC DC
 Rated Current: 1.0A AC DC
 Withstanding Voltage: 1000V AC/minute
 Temperature Range: $-25^{\circ}C \sim +105^{\circ}C$



Board Layout
 General Tolerance: ± 0.05

Order Information

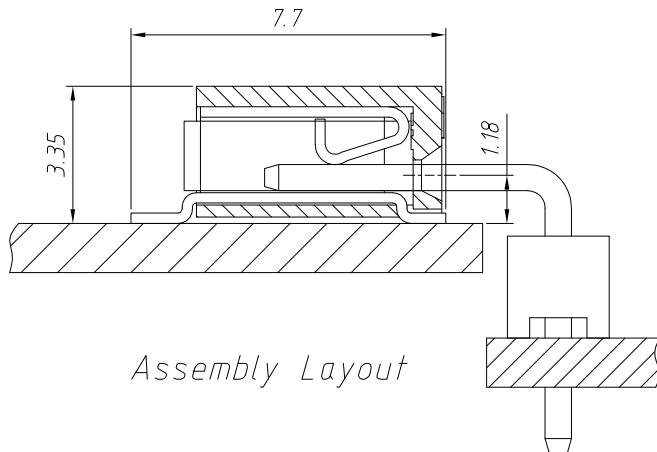
L-KLS2- L48Y- XXP



RoHS

Series No.

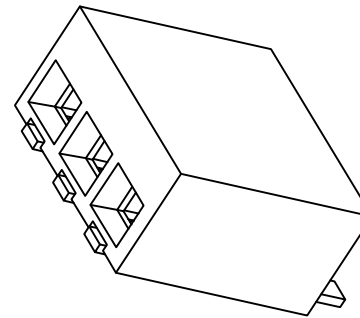
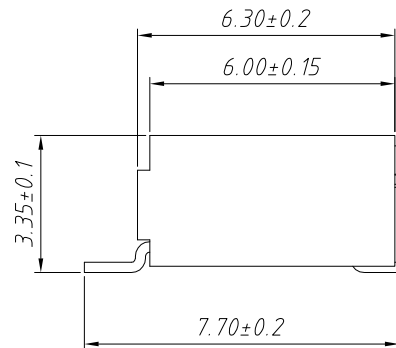
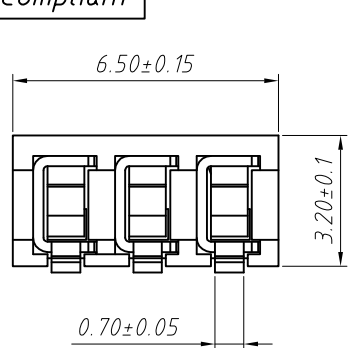
Number of poles



Assembly Layout

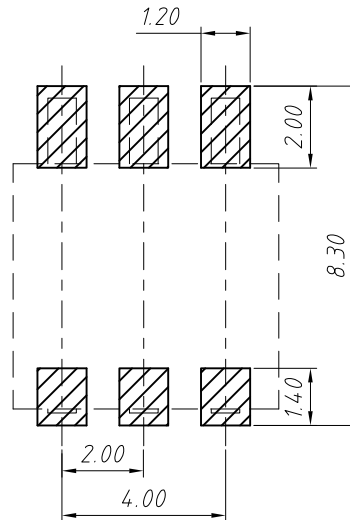
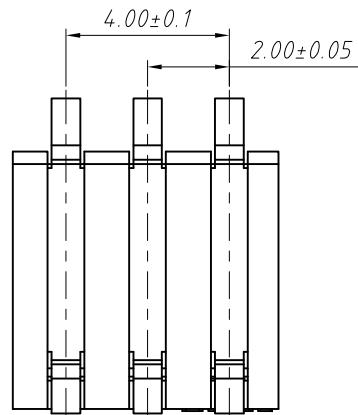
GENERAL TOLERANCE		ANGLE TOLERANCE		PROJECTION	Description: Board to Board Link, for LED Lighting, Pitch 2.0mm L-KLS2-L48Y-XXP	
X.	± 0.15	X.	$\pm 5^{\circ}$	UNITS		mm
.X	± 0.03	.X	$\pm 3^{\circ}$	SHEET SIZE		A4
.XX	± 0.05	.XX	$\pm 2^{\circ}$		KLS P/N:	
Draw by:	Jenny	Date:	2018-03-10	 NingBo KLS ELECTRONIC CO.,LTD.		
Check by:		Date:	2018-03-10			
SCALE		SHEET	1 OF 1			

RoHS Compliant



MATERIAL
 Insulator: LCP, UL 94V-0, Beige
 Contacts: Phosphor Bronze, Tin-plated

Main Specifications
 Poles: 01-03P
 Contact Resistance: $\leq 20m\Omega$
 Insulation Resistance: $\geq 1000M\Omega$
 Rated Voltage: 125V AC DC
 Rated Current: 1.0A AC DC
 Withstanding Voltage: 1000V AC/minute
 Temperature Range: $-25^{\circ}C \sim +105^{\circ}C$

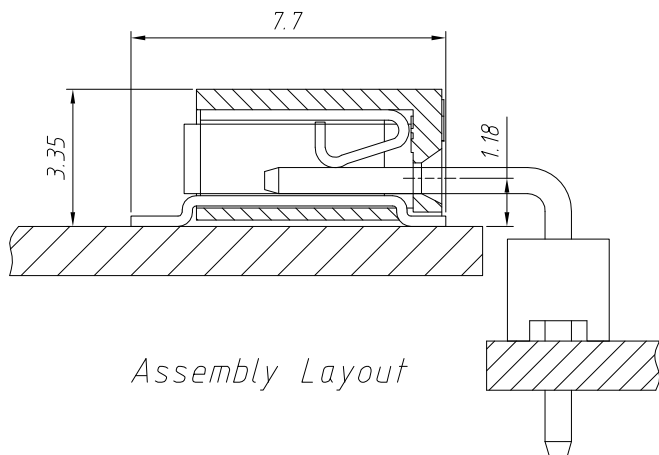


Board Layout
 General Tolerance: ± 0.05

Order Information

L-KLS2- L48Y- XXP

RoHS
 Series No.
 Number of poles



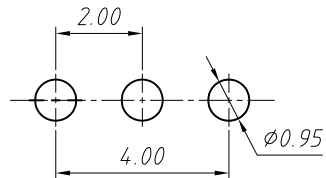
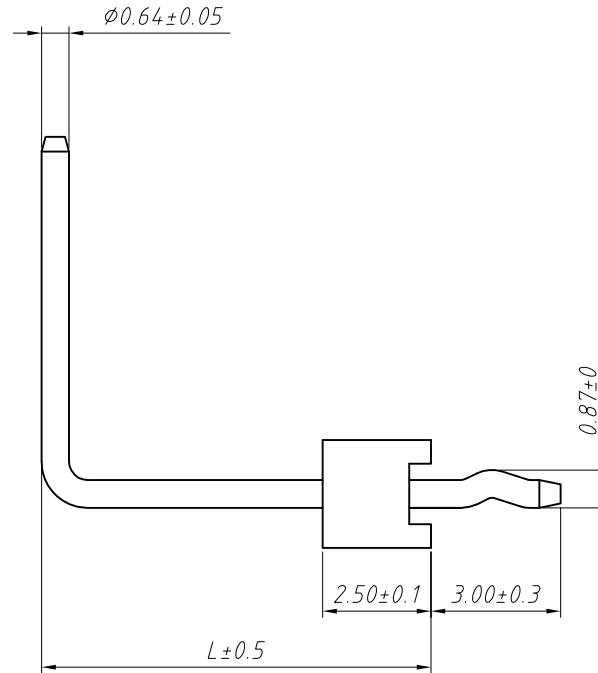
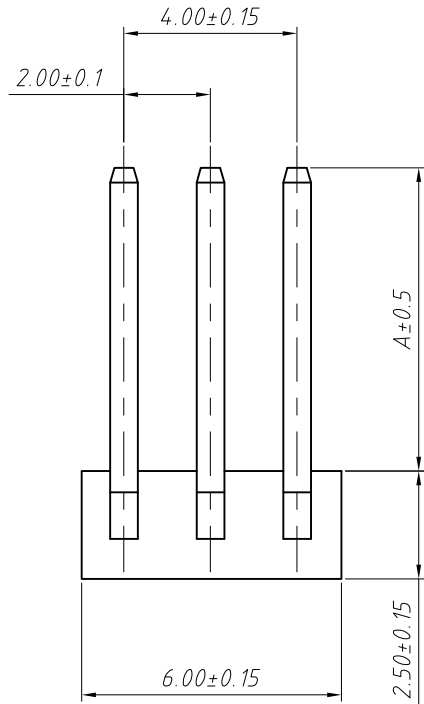
Assembly Layout

GENERAL TOLERANCE		ANGLE TOLERANCE		PROJECTION	Description:
X. ± 0.15	X. $\pm 5^{\circ}$	UNITS		mm	Board to Board Link, for LED Lighting, Pitch 2.0mm L-KLS2-L48Y-XXP
.X ± 0.03	.X $\pm 3^{\circ}$	SHEET SIZE		A4	
.XX ± 0.05	.XX $\pm 2^{\circ}$			KLS P/N:	

Draw by:	Jenny	Date:	2018-03-10
Check by:		Date:	2018-03-10
SCALE		SHEET	1 OF 1

NingBo KLS ELECTRONIC CO.,LTD.

1 RoHS Compliant



Board Layout
General Tolerance: ±0.05

MATERIAL
 Insulator: PA46, UL 94V-0, Beige
 Contacts: Brass, Tin-plated

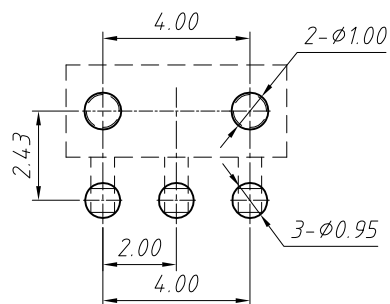
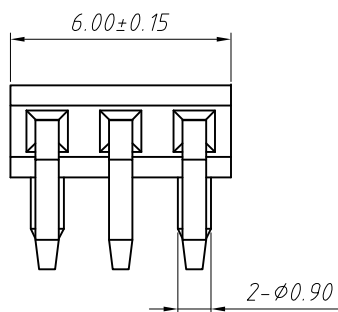
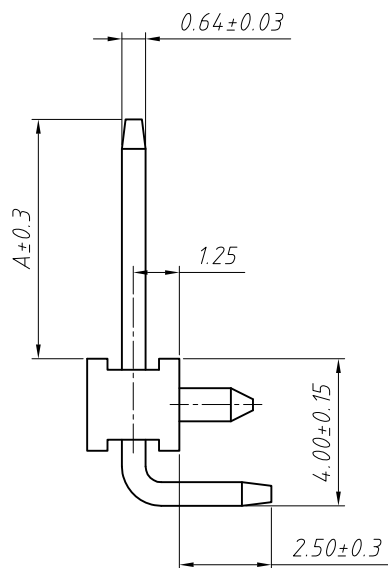
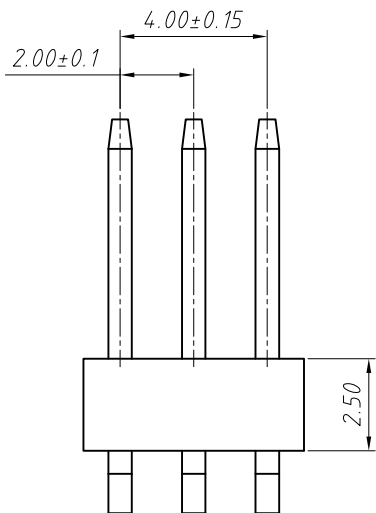
Main Specifications
 Poles: 01-03P
 Contact Resistance: ≤20mΩ
 Insulation Resistance: ≥1000MΩ
 Rated Voltage: 250V AC DC
 Rated Current: 2.0A AC DC
 Withstanding Voltage: 1000V AC/minute
 Temperature Range: -40 °C ~ +110 °C

Order Information
 L-KLS2- L48A- XXP - XX

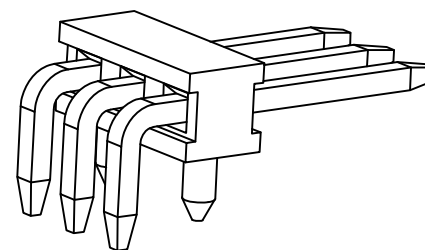
RoHS
 Series No.
 Number of poles
 Pin Lenges Code: A & L Size

GENERAL TOLERANCE		ANGLE TOLERANCE		PROJECTION	Description:
X.	±0.15	X.	±5°	UNITS	Board to Board Link, for LED Lighting, Pitch 2.0mm
.X	±0.03	.X	±3°	SHEET SIZE	A4
.XX	±0.05	.XX	±2°	KLS P/N:	L-KLS2-L48A-XXP-XX
Draw by:	Jenny	Date:	2018-03-10	 NingBo KLS ELECTRONIC CO.,L TD.	
Check by:		Date:	2018-03-10		
SCALE		SHEET	1 OF 1		

1 RoHS Compliant



Board Layout
General Tolerance: ±0.05




MATERIAL
 Insulator: PA46, UL 94V-0, Beige
 Contacts: Brass, Tin-plated

Main Specifications
 Poles: 01-03P
 Contact Resistance: ≤20mΩ
 Insulation Resistance: ≥1000MΩ
 Rated Voltage: 250V AC DC
 Rated Current: 2.0A AC DC
 Withstanding Voltage: 1000V AC/minute
 Temperature Range: -40 °C ~ +110 °C

Order Information
 L-KLS2-L48AWD-XXP-XX

RoHS
 Series No.
 Number of poles
 Pin Lenges Code: A Size

GENERAL TOLERANCE		ANGLE TOLERANCE		PROJECTION	Description:
X	±0.15	X	±5°	UNITS	Board to Board Link, for LED Lighting, Pitch 2.0mm L-KLS2-L48AWD-XXP-XX
.X	±0.03	.X	±3°	SHEET SIZE	
.XX	±0.05	.XX	±2°	KLS P/N:	
Draw by:	Jenny	Date:	2018-03-10	 NingBo KLS ELECTRONIC CO.,LTD.	
Check by:		Date:	2018-03-10		
SCALE		SHEET	1 OF 1		