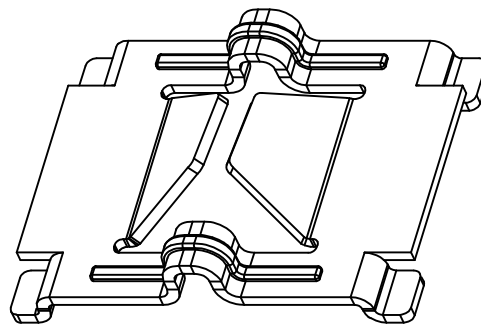
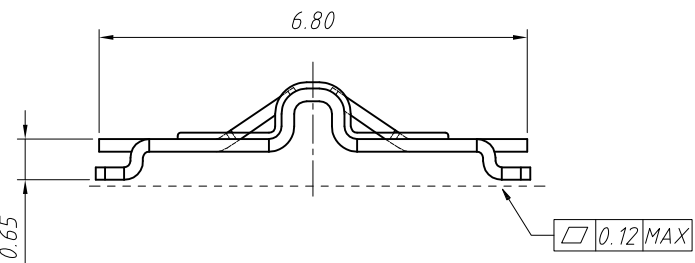


1
RoHS Compliant



MATERIAL

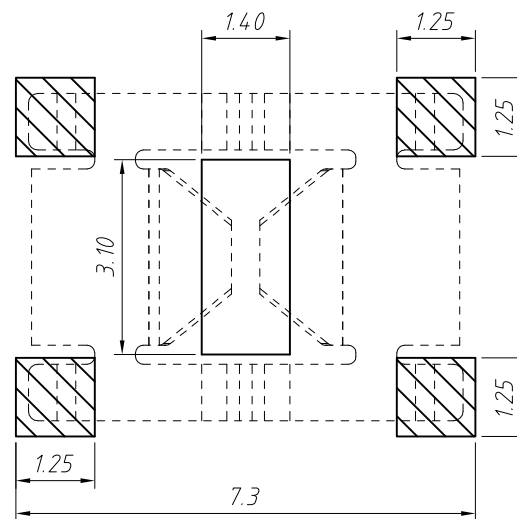
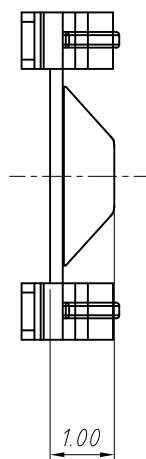
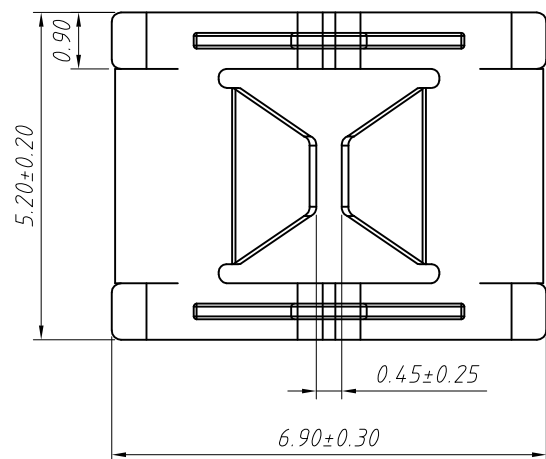
Contacts: Phosphor Bronze,
Matte Sn-plated

Main Specifications

Thickness: 1.0mm
Contact Resistance: $\leq 20m\Omega$
Rated Voltage: 250V AC DC
Rated Current: 1.0A AC DC
Temperature Range: $-45^{\circ}C \sim +125^{\circ}C$

Order Information

L-KLS2- L94
└── Series No.
└── RoHS



Board Layout

GENERAL TOLERANCE		ANGLE TOLERANCE		PROJECTION	Description:
.X	± 0.15	.X	$\pm 5^{\circ}$	UNITS	mm
.X	± 0.03	.X	$\pm 3^{\circ}$	SHEET SIZE	A4
.XX	± 0.05	.XX	$\pm 2^{\circ}$	KLS P/N:	L-KLS2-L94
Draw by:	Jenny	Date:	2018-03-10	 NingBo KLS ELECTRONIC CO.,LTD.	
Check by:		Date:	2018-03-10		
SCALE		SHEET	1 OF 1		