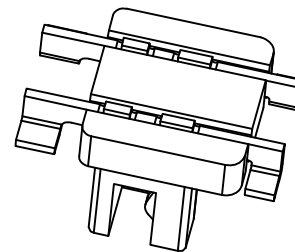
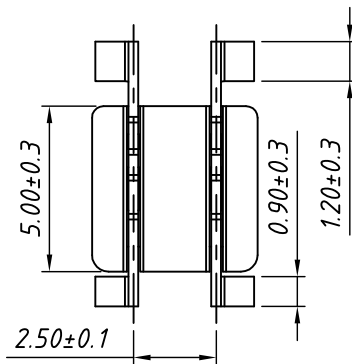
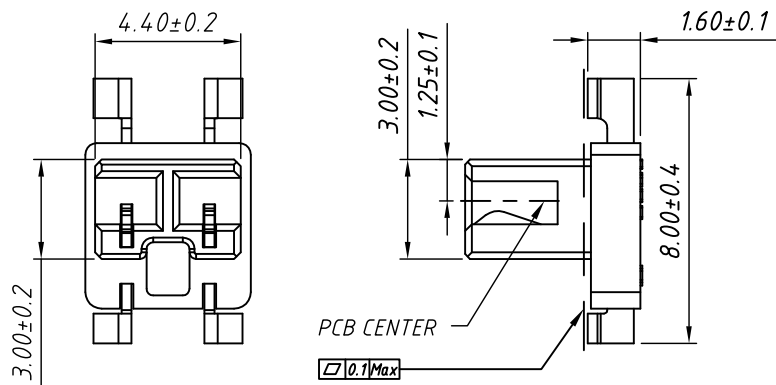


RoHS Compliant



MATERIAL

Insulator:LCP,UL94V-0,WHITE

Contacts:Phosphor Bronze,Tin-plated

Main Specifications

Poles:02P

Thickness:1.2mm

Contact Resistance:≤20mΩ

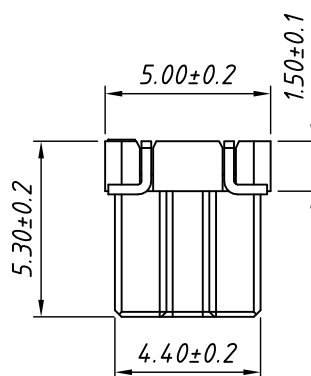
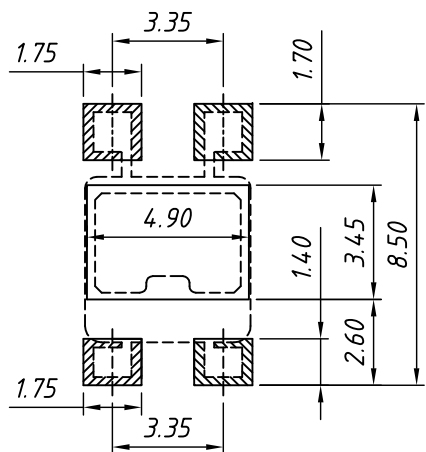
Insulation Resistance:≥800MΩ

Rated Voltage:125V AC DC

Rated Current:1.0A AC DC

Withstanding Voltage:800V AC/minute

Temperature Range: -25 °C ~ +105 °C



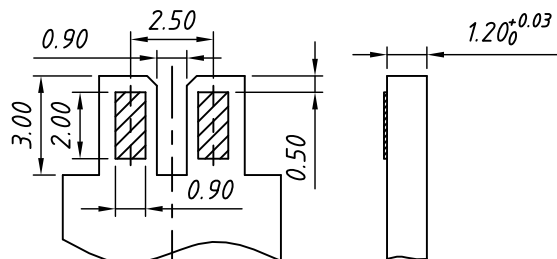
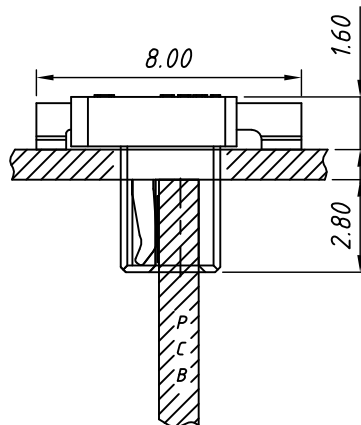
Order Information

L-KLS2-L33

Series No.

RoHS

Board Layout
General Tolerance:±0.05



MATING PCB DETAIL

ASSEMBLY LAYOUT

ANGLE TOLERANCE X. ±2°	PROJECTION		Description:	EDGE Connector for LED
	UNITS	mm	Lighting,Pitch 2.5mm	
GENERAL TOLERANCE	SHEET SIZE	A4	L-KLS2-L33	
	Date	2018-11-10	KLS P/N:	
X. ±0.5	Draw	Daniel		NingBo KLS ELECTRONIC CO.,L TD.
.X ±0.3	Check			
.XX ±0.25	SHEET	1 OF 1		