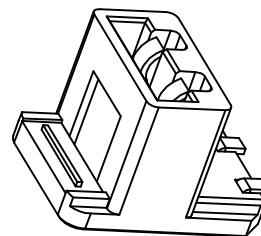
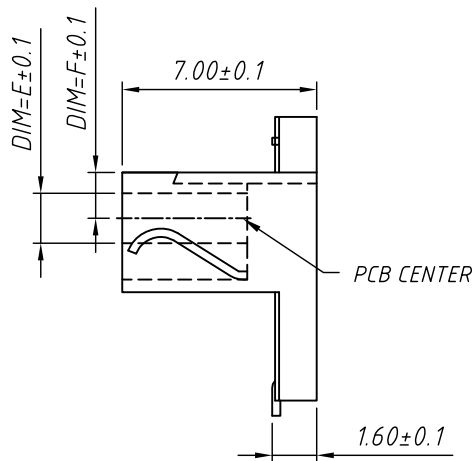
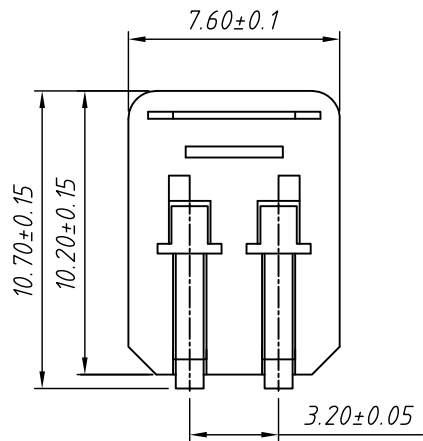


1 RoHS Compliant



MATERIAL

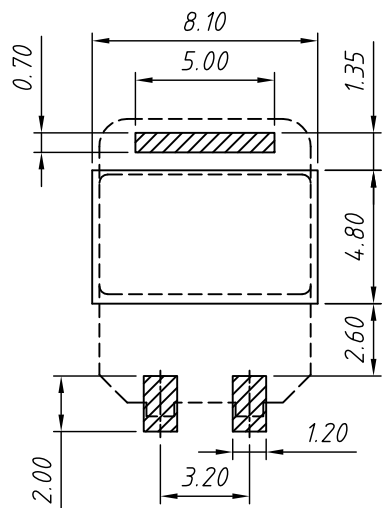
Insulator: LCP, UL 94V-0, WHITE
 Contacts: Phosphor Bronze, Tin-plated
 Solder tab: Phosphor Bronze, Tin-plated

Main Specifications

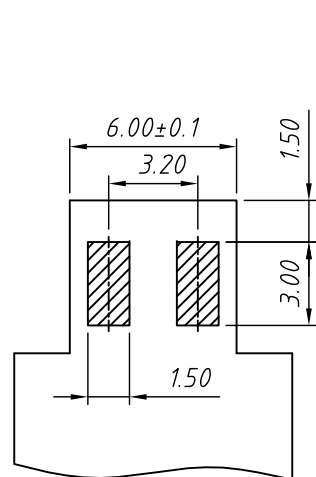
Poles: 02P
 Thickness: 1.0 ~ 1.6mm
 Contact Resistance: $\leq 20m\Omega$
 Insulation Resistance: $\geq 1000M\Omega$
 Rated Voltage: 250V AC DC
 Rated Current: 2.0A AC DC
 Withstanding Voltage: 1000V AC/minute
 Temperature Range: $-25^{\circ}C \sim +105^{\circ}C$

Order Information

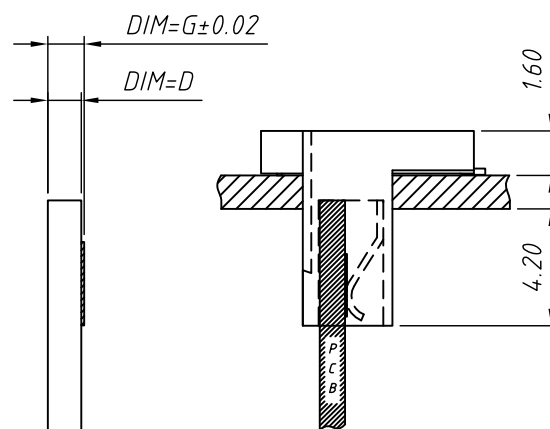
L-KLS2-L27- 1.0
 └── PCB Thickness
 DIM=D±0.1
 └── Series No.
 └── RoHS



Board Layout
 General Tolerance: ±0.05



MATING PCB DETAIL



PCB Thickness			
DIM=D	DIM=E	DIM=F	DIM=G
1.0	1.15	1.90	1.05
1.2	1.35	1.80	1.25
1.6	1.75	1.60	1.65

ANGLE TOLERANCE X. ±2°	PROJECTION		Description:	EDGE Connector for LED
	UNITS	mm	Lighting, Pitch 3.2mm	
GENERAL TOLERANCE	SHEET SIZE	A4		
	Date	2018-11-10	KLS P/N:	L-KLS2-L27-XX
X. ±0.5	Draw	Daniel		NingBo KLS ELECTRONIC CO.,L TD.
.X ±0.3	Check			
.XX ±0.25	SHEET	1 OF 1		