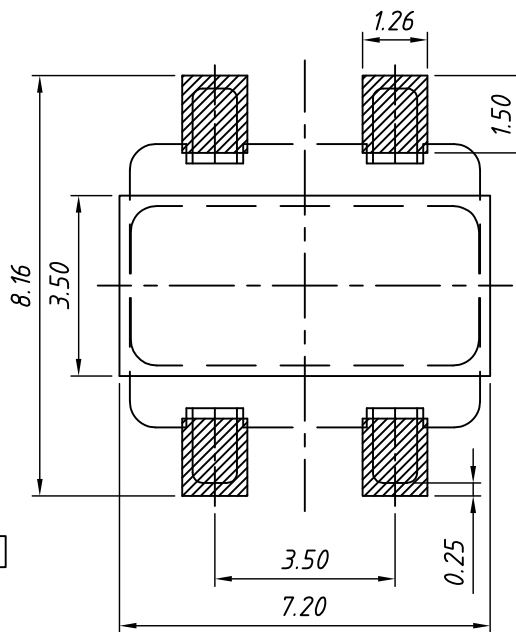
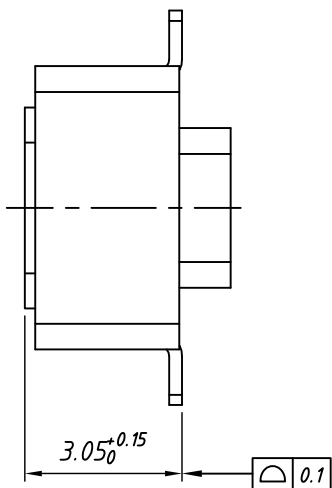
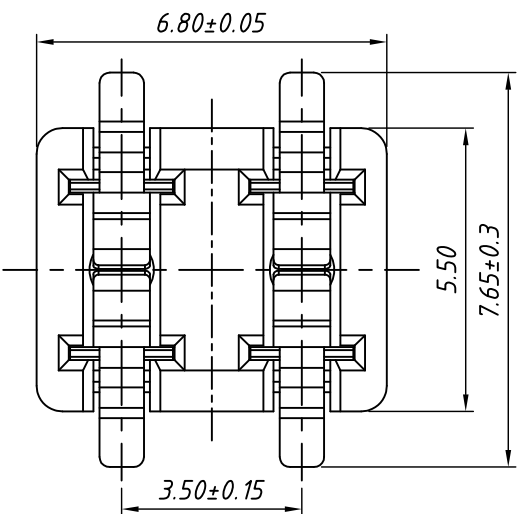


1 RoHS Compliant

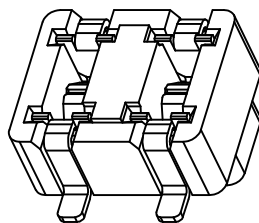
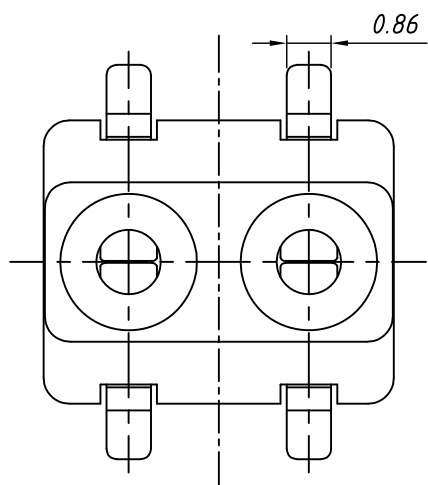
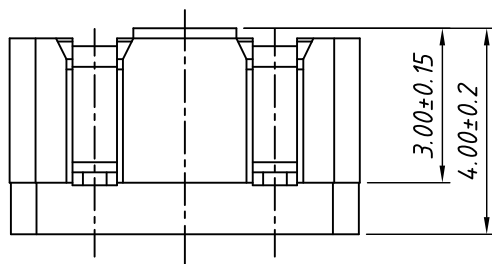


Board Layout
General Tolerance: ±0.05

MATERIAL
Insulator: LCP, UL 94V-0, WHITE
Contacts: Phosphor Bronze, Tin-plated

Main Specifications
Contact Resistance: ≤30mΩ
Insulation Resistance: ≥1000MΩ
Rated Voltage: 250V AC DC
Rated Current: 1.0A AC DC
Withstanding Voltage: 1000V AC/minute
Temperature Range: -40 °C ~ +120 °C

Order Information
L-KLS2-L88
Series No.
RoHS



ANGLE TOLERANCE	PROJECTION	Description: Wire to Board Link, Socket for LED Lighting, Pitch 3.5mm	
X. ±2°	UNITS	mm	
GENERAL TOLERANCE	SHEET SIZE	A4	
Date	2018-11-10	KLS P/N:	L-KLS2-L88
X. ±0.5	Draw	Daniel	
.X ±0.3	Check		
.XX ±0.25	SHEET	1	OF 1



NingBo KLS ELECTRONIC CO.,L TD.