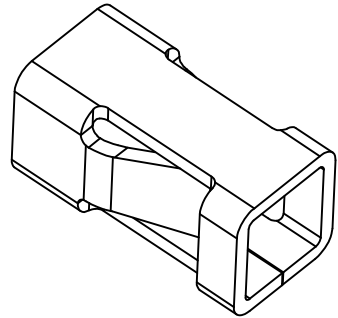
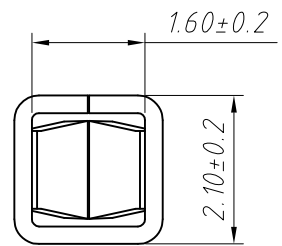


1
RoHS Compliant



MATERIAL
Contacts: Phosphor Bronze, Tin-plated

Main Specifications
Poles: 01P
Contact Resistance: $\leq 20m\Omega$
Rated Voltage: 250V AC DC
Rated Current: 2.0A AC DC
Withstanding Voltage: 1500VAC/minute
Temperature Range: $-45^{\circ}C \sim +125^{\circ}C$

B

C

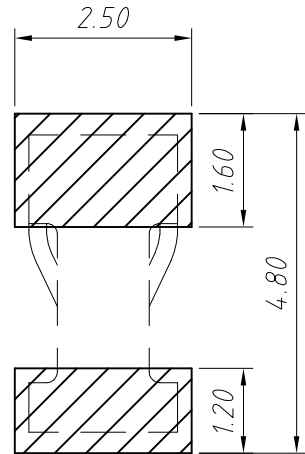
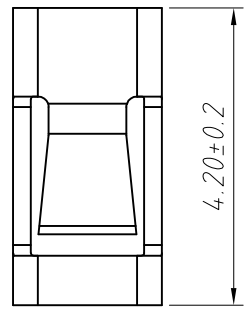
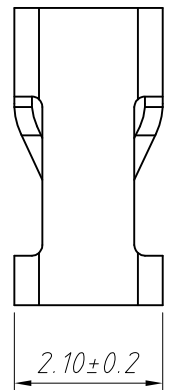
D

E

F

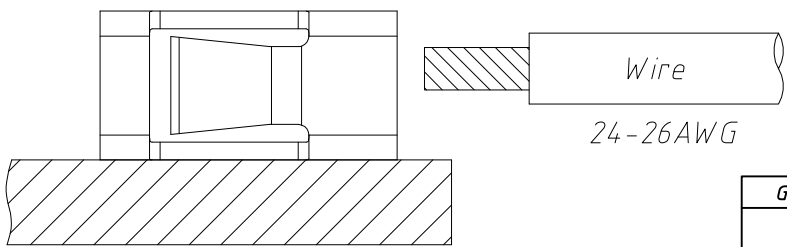
G

H



Board Layout

Order Information
L-KLS2-L49B
Series No.
RoHS



Assembly Layout

GENERAL TOLERANCE		ANGLE TOLERANCE		PROJECTION	Description: Naked Terminal SMT for led lighting, 24 ~ 26AWG	
X. ± 0.15	.X ± 0.03	X. $\pm 5^{\circ}$.X $\pm 3^{\circ}$	UNITS		
.XX ± 0.05		.XX $\pm 2^{\circ}$		SHEET SIZE	A4	
Draw by: Jenny				Date: 2018-03-10	KLS P/N:	L-KLS2-L49B
Check by:				Date: 2018-03-10	NingBo KLS ELECTRONIC CO.,LTD.	
SCALE		SHEET	1 OF 1			



NingBo KLS ELECTRONIC CO.,LTD.