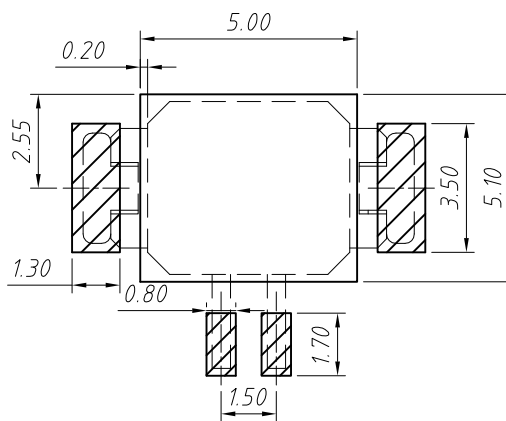
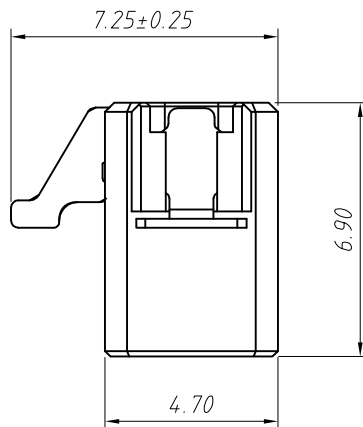
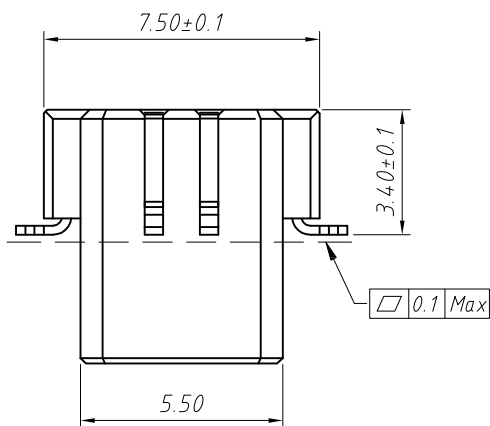
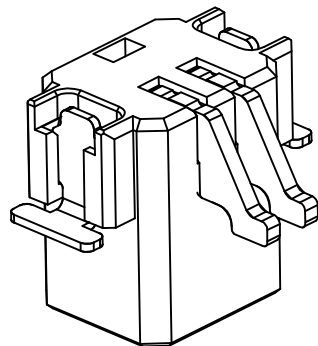
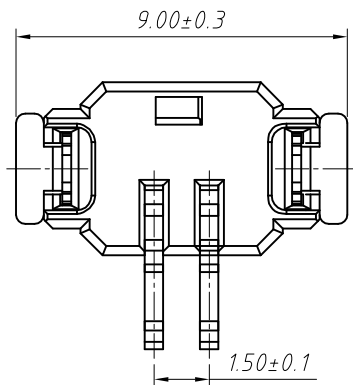
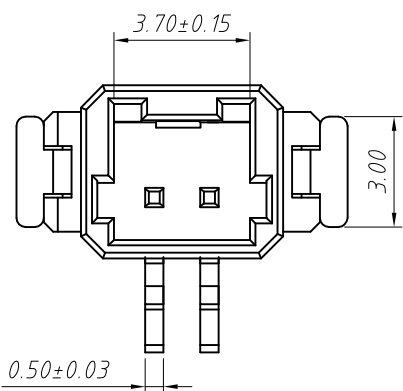


RoHS Compliant



Board Layout
General Tolerance: ±0.05



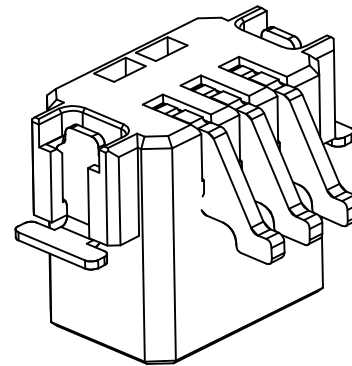
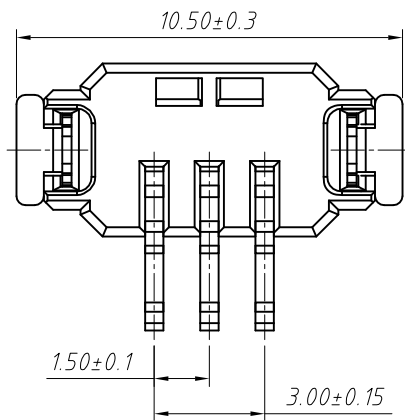
MATERIAL
Insulator: LCP, UL 94 V-0, Beige
Contacts: Brass, Tin-plated
Solder Tab: Brass, Tin-plated

Main Specifications
Poles: 02P
Contact Resistance: ≤20mΩ
Insulation Resistance: ≥500MΩ
Rated Voltage: 50V AC DC
Rated Current: 1.5A AC DC
Withstanding Voltage: 500V AC/minute
Temperature Range: -40 °C ~ +120 °C

Order Information
L-KLS2- L14 - V 02P
RoHS
Series No.
Type: V- SMT wafer
Number of poles

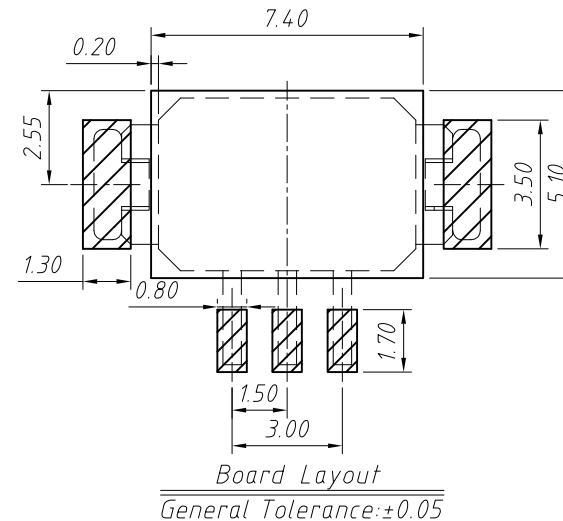
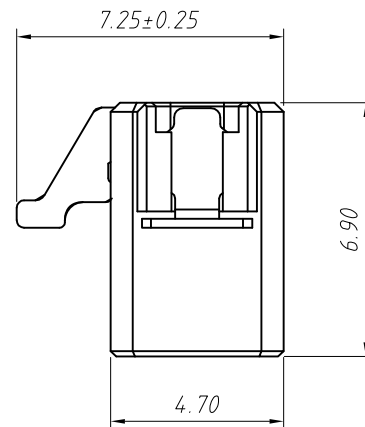
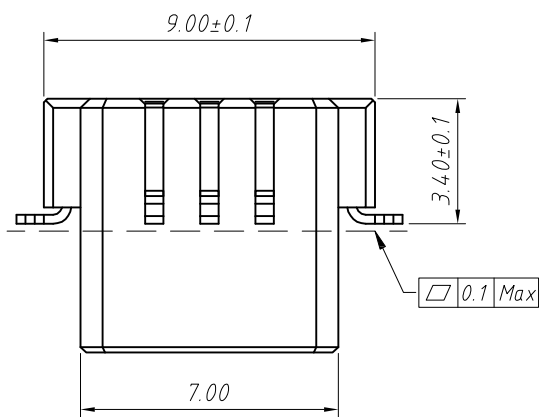
GENERAL TOLERANCE		ANGLE TOLERANCE		PROJECTION	Description:
.X	±0.15	.X	±5°	UNITS	Wire to Board Link, 2 Poles
.X	±0.03	.X	±3°	SHEET SIZE	SMD wafer for LED Lighting, Pitch 1.50mm
.XX	±0.05	.XX	±2°	KLS P/N:	L-KLS2-L14-V02P
Draw by:	Jenny	Date:	2018-03-10		NingBo KLS ELECTRONIC CO.,L TD.
Check by:		Date:	2018-03-10		
SCALE		SHEET	1 OF 1		

RoHS Compliant



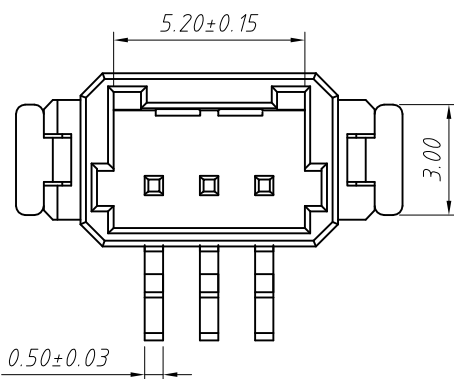
MATERIAL
 Insulator:LCP,UL 94 V-0,Beige
 Contacts:Brass,Tin-plated
 Solder Tab:Brass,Tin-plated

Main Specifications
 Poles:03P
 Contact Resistance:≤20mΩ
 Insulation Resistance:≥500MΩ
 Rated Voltage:50V AC DC
 Rated Current:1.5A AC DC
 Withstanding Voltage:500V AC/minute
 Temperature Range: -40 °C ~ + 120° C



Order Information
 L-KLS2- L14 - V 03P

RoHS
 Series No.
 Type: V- SMT wafer
 Number of poles

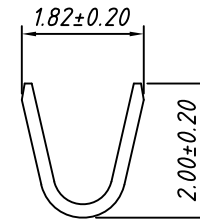
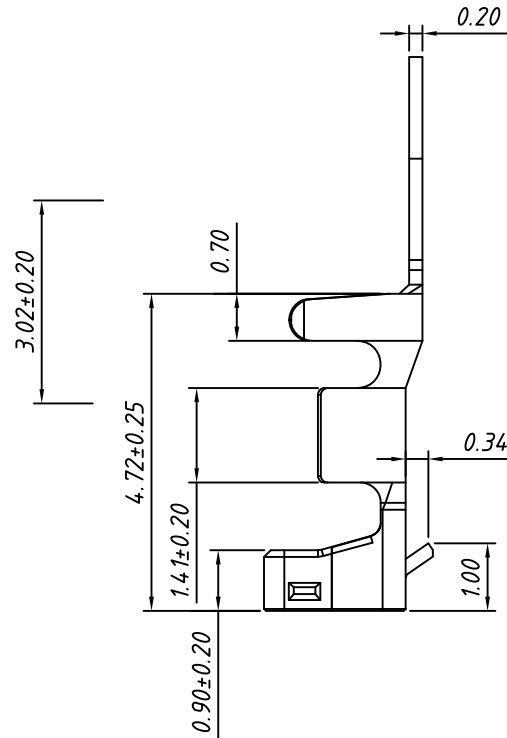
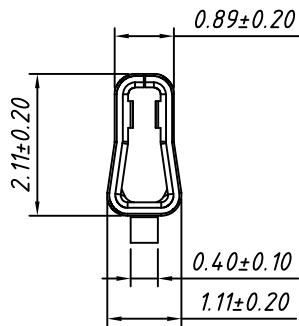
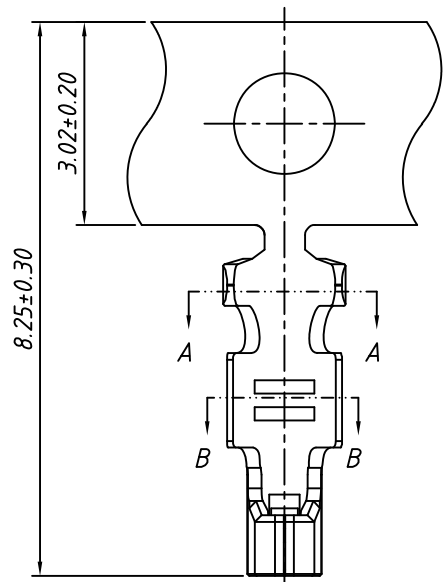


GENERAL TOLERANCE		ANGLE TOLERANCE		PROJECTION	Description:
.X	±0.15	.X	±5°	UNITS	Wire to Board Link,3 Poles
.X	±0.03	.X	±3°	SHEET SIZE	SMD wafer for LED Lighting,Pitch 1.50mm
.XX	±0.05	.XX	±2°	KLS P/N:	L-KLS2-L14-V03P

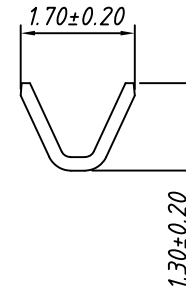
Draw by:	Jenny	Date:	2018-03-10
Check by:		Date:	2018-03-10
SCALE		SHEET	1 OF 1

KLS NingBo KLS ELECTRONIC CO.,LTD.

1 RoHS Compliant



SECTION:A-A



SECTION:B-B

MATERIAL

Contacts: Phosphor Bronze,
Tin or gold plated

Wire Range: 24 ~ 28AWG

Insulation OD: 1.10mm Max.

Q'ty: 10000PCS/REEL

Main Specifications

Contact Resistance: $\leq 20m\Omega$

Insulation Resistance: $\geq 500M\Omega$

Rated Voltage: 50V AC DC

Rated Current: 1.5A AC DC

Withstanding Voltage: 500V AC/minute

Temperature Range: $-40^{\circ}C \sim +120^{\circ}C$

Order Information

L-KLS2- L14 - T X

RoHS

Series No.

Type: T- Terminal

Plated:

Not- Tin plated

G- Gold plated

GENERAL TOLERANCE		ANGLE TOLERANCE		PROJECTION		Description:	
X	± 0.15	X	$\pm 5^{\circ}$	UNITS	mm	Wire to Board Link, for LED Lighting, Pitch 1.50mm, Terminal L-KLS2-L14-TX	
.X	± 0.03	.X	$\pm 3^{\circ}$	SHEET SIZE	A4		
.XX	± 0.05	.XX	$\pm 2^{\circ}$	KLS P/N:			

Draw by: Jenny Date: 2018-03-10

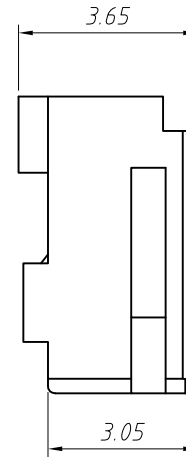
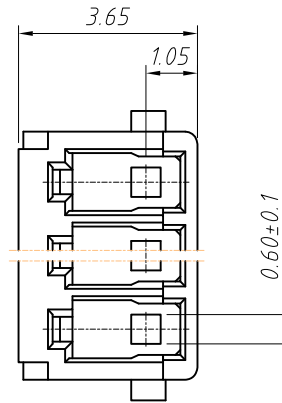
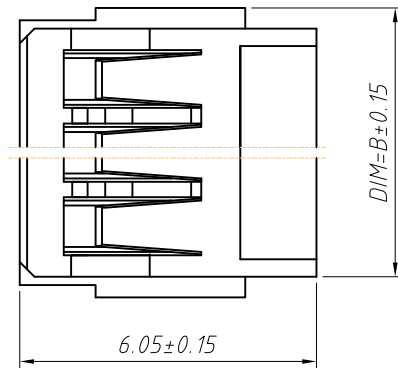
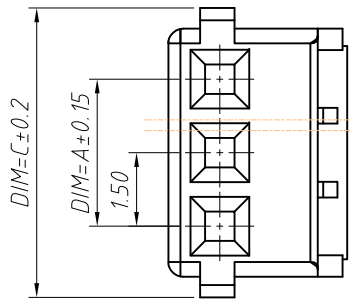
Check by: Date: 2018-03-10

SCALE SHEET 1 OF 1



NingBo KLS ELECTRONIC CO.,L TD.

1 RoHS Compliant



MATERIAL

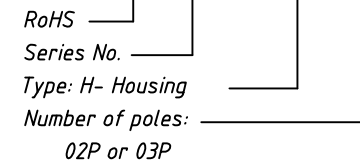
Insulator:LCP,UL 94 V-0,Beige
Wire Range:24 ~ 28AWG
Insulation OD: 1.10mm Max.

Main Specifications

Contact Resistance:≤20mΩ
Insulation Resistance:≥500MΩ
Rated Voltage:50V AC DC
Rated Current:1.5A AC DC
Withstanding Voltage:500V AC/minute
Temperature Range: -40 °C ~ + 120° C

Order Information

L-KLS2- L14 - H 02P



Circuits	Dimensions(mm)		
	DIM=A	DIM=B	DIM=C
02	1.50	3.55	4.40
03	3.00	5.05	5.90

GENERAL TOLERANCE		ANGLE TOLERANCE		PROJECTION		Description:	
X	±0.15	X	±5°	UNITS		mm	Wire to Board Link, for LED Lighting, Pitch 1.50mm, Housing
.X	±0.03	.X	±3°	SHEET SIZE		A4	
.XX	±0.05	.XX	±2°			KLS P/N:	L-KLS2-L14-HXXP
Draw by:	Jenny	Date:	2018-03-10	NingBo KLS ELECTRONIC CO.,L TD.			
Check by:		Date:	2018-03-10				
SCALE		SHEET	1 OF 1				