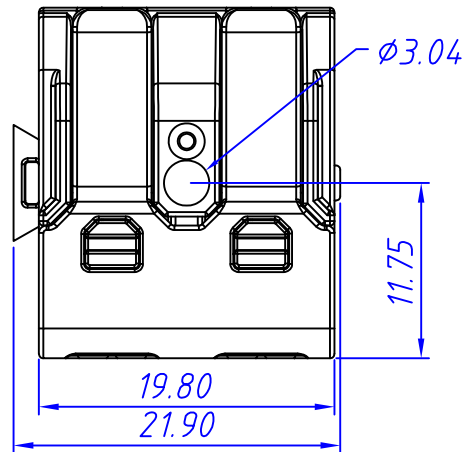
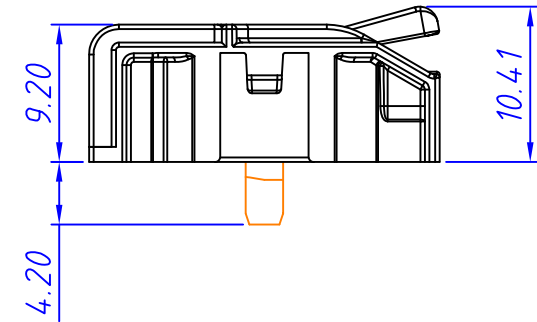
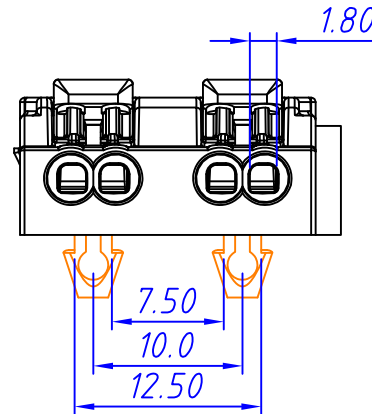
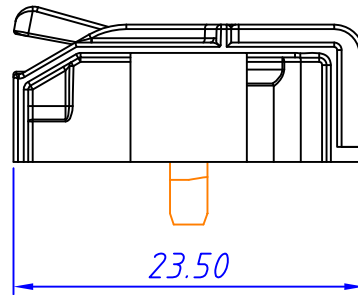
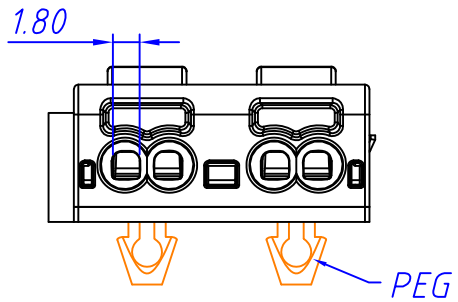
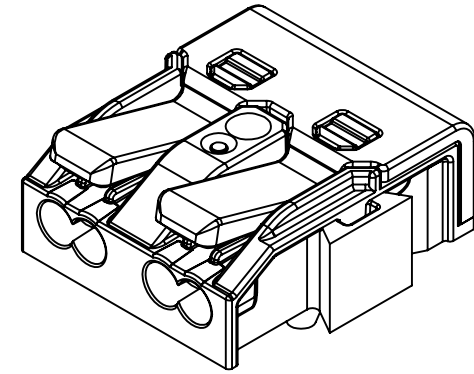
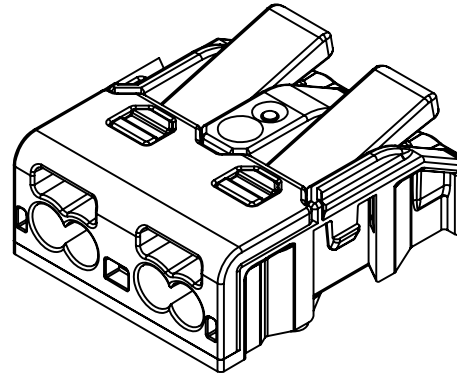
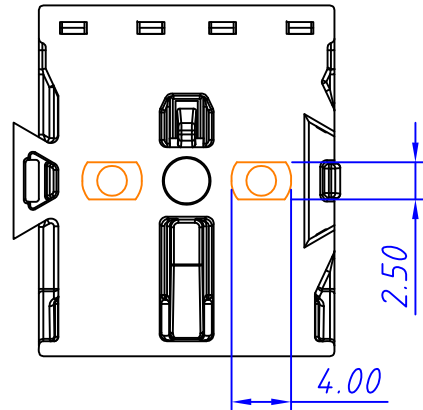


RoHS Compliance



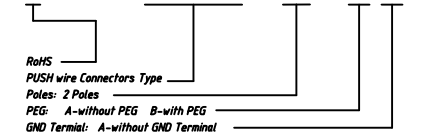
Electrical :
 Rated Voltage: 450V(IEC/EN)/300V(UL)
 Rated Current: 9A
 Cross Section: 0.5-1.5mm² / 16-20AWG

Materials
 Insulation Materials: PA 66,WHITE,UL 94V-2
 Contact: Copper,Nickel Plated
 Wire guard : Stainless steel


Number of poles: 2 poles
 Strip length : 8-10mm
 Operating Temperature: -40°C~+105°C

ORDER INFORMATION

L-KLS2- 238N - 02P X A



RoHS
 PUSH wire Connectors Type
 Poles: 2 Poles
 PEG: A-without PEG B-with PEG
 GND Termini: A-without GND Termini

GENERAL TOLERANCE		ANGLE TOLERANCE	PROJECTION	Description:
X. ±0.60	±2°	UNITS	mm	PUSH wire Connector
.X ±0.38		SHEET SIZE	A4	
.XX ±0.25		KLS P/N:		
Draw: Daniel	2018-08-27	 NingBo KLS ELECTRONIC CO.,L TD.		
Check: Daniel	2018-08-27			
SCALE	SHEET			