

1  
RoHS Compliance

A

B

C

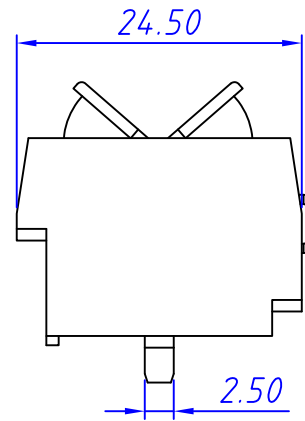
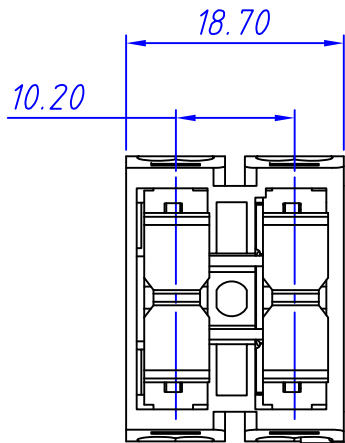
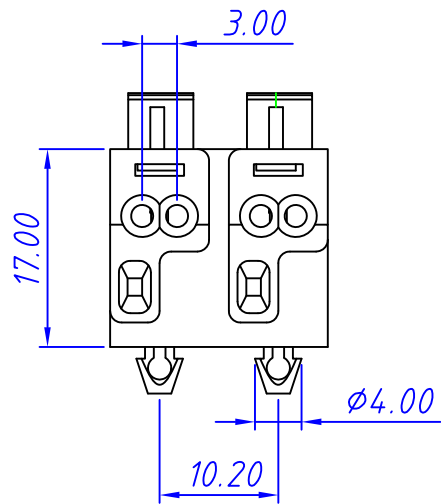
D

E

F

G

H

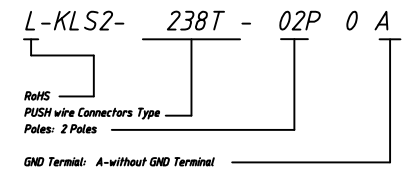



Electrical :  
 Rated Voltage: 400V  
 Rated Current: 16A  
 Cross Section: 0.75-1.5mm<sup>2</sup> / 16-18AWG

Materials  
 Insulation Materials: PA 66, WHITE, UL94V-2  
 Contact: Copper, Nickel Plated  
 Wire guard : Stainless steel

Number of poles: 2 poles  
 Strip length : 7-8mm  
 Operating Temperature: -40°C ~ +100°C

ORDER INFORMATION



GENERAL TOLERANCE		ANGLE TOLERANCE	PROJECTION	Description:
X. ±0.60	±2°	UNITS	mm	PUSH wire Connector
.X ±0.38		SHEET SIZE	A4	
.XX ±0.25		KLS P/N:		
Draw: Daniel	2018-08-27	 NingBo KLS ELECTRONIC CO.,L TD.		
Check: Daniel	2018-08-27			
SCALE	SHEET			

A

B

C

D

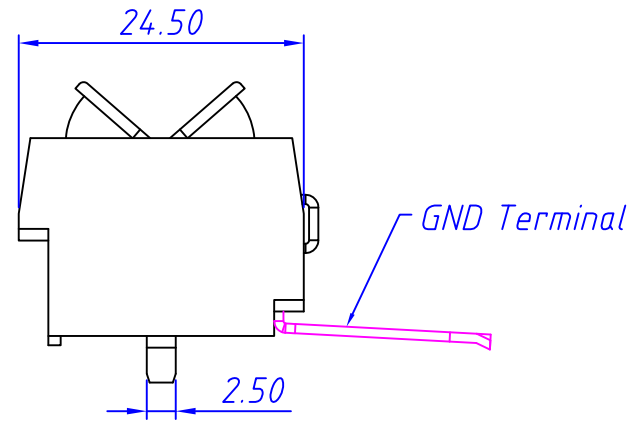
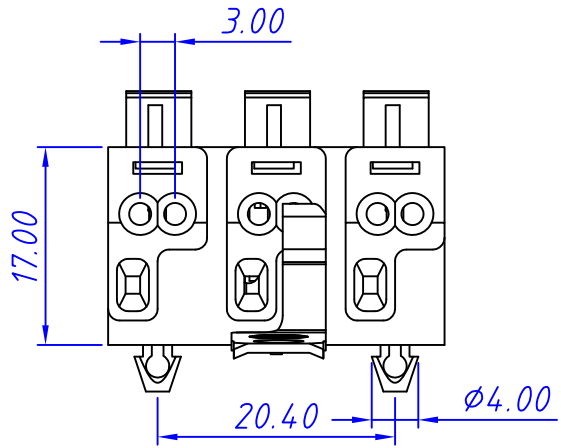
E

F

G

H

1  
RoHS Compliance

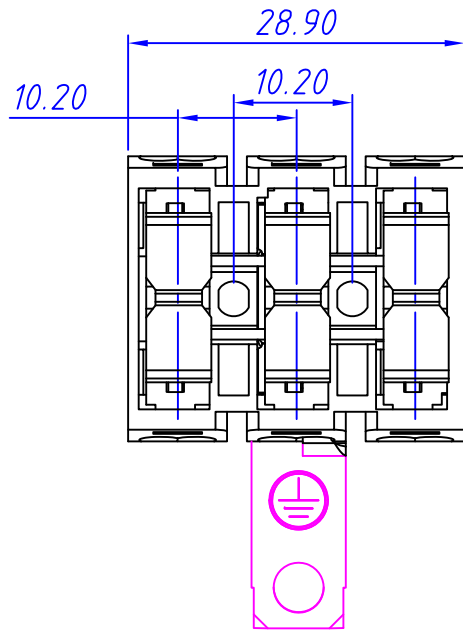
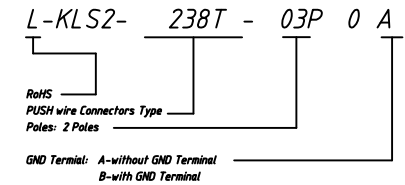



Electrical :  
 Rated Voltage: 400V  
 Rated Current: 16A  
 Cross Section: 0.75-1.5mm<sup>2</sup> / 16-18AWG

Materials  
 Insulation Materials: PA 66,WHITE,UL94V-2  
 Contact: Copper,Nickel Plated  
 Wire guard : Stainless steel

Number of poles: 3 poles  
 Strip length : 7-8mm  
 Operating Temperature: -40°C ~ +100°C

ORDER INFORMATION



GENERAL TOLERANCE	ANGLE TOLERANCE	PROJECTION	Description:
X. ±0.60	±2°	UNITS	mm
.X ±0.38		SHEET SIZE	A4
.XX ±0.25		KLS P/N:	
Draw: Daniel	2018-08-27	 NingBo KLS ELECTRONIC CO.,L TD.	
Check: Daniel	2018-08-27		
SCALE	SHEET		

2

3

4

5

6

7

8

A

B

C

D

E

F

G

H

A

B

C

D

E

F

G

H

1

2

3

4

5

6

7

8