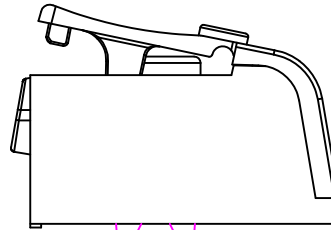
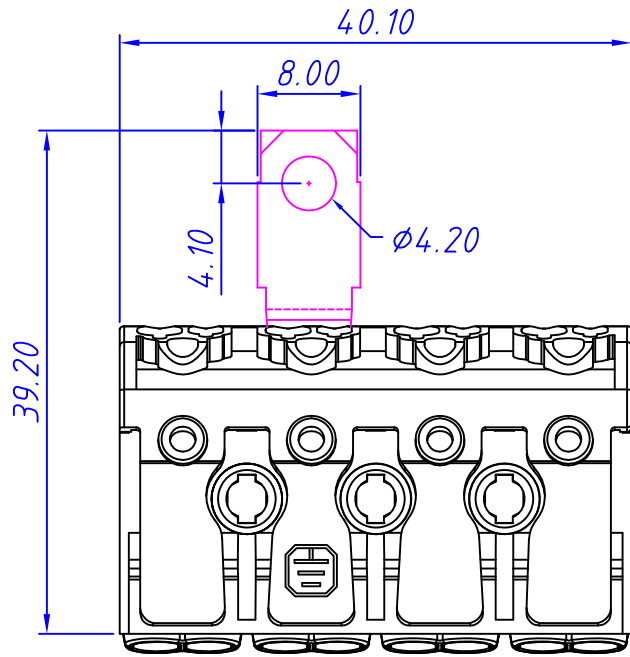
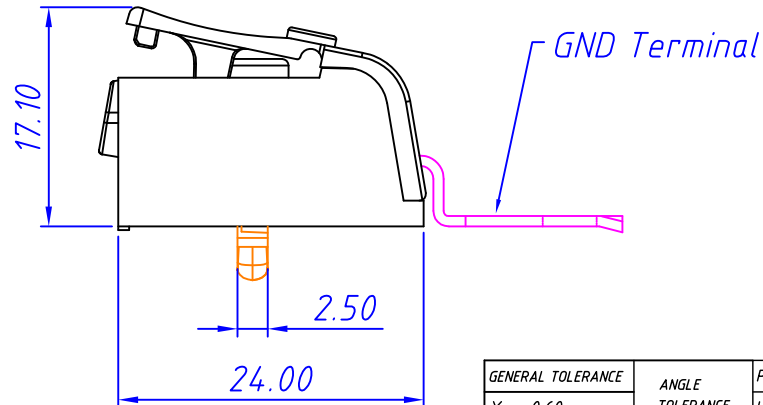
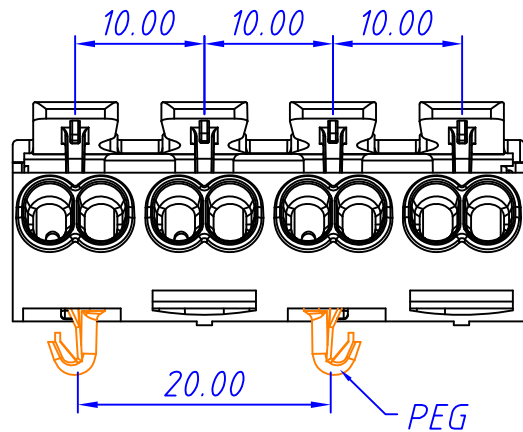


RoHS Compliance



Bottom GND Terminal

N Type



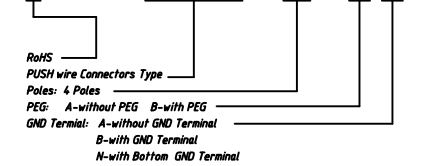
**Electrical :**  
**Rated Voltage:** 450V(IEC/ENI)/300V(UL)  
**Rated Current:** 16A  
**Contact resistance:** 20 mΩ  
**Insulation resistance:** 5000MΩ/DC1000V  
**Withstanding voltage :** AC2500V/1 min  
**Cross Section:** Solid conductor & Stranded conductor  
**A holes:** 0.5-2.5mm<sup>2</sup>/14-20AWG  
**B holes:** 0.5-1.5mm<sup>2</sup>/16-20AWG  
**C holes:** 0.5-2.5mm<sup>2</sup>/14-20AWG

**Materials**  
**Insulation Materials:** PA 66,WHITE,UL94V-2  
**Contact:** Copper,Nickel Plated  
**Wire guard :** Stainless steel

**Number of poles:** 4 poles  
**Strip length :** 8-10mm  
**Operating Temperature:** -40°C~+105°C

**ORDER INFORMATION**

L-KLS2- 238K - 04P X X



GENERAL TOLERANCE	ANGLE TOLERANCE	PROJECTION	Description:
X. ±0.60	±2°	UNITS	mm
.X ±0.38		SHEET SIZE	A4
.XX ±0.25		KLS P/N: L-KLS2-238K-04Pxx	

Draw: Daniel 2018-08-27  
 Check: Daniel 2018-08-27  
 SCALE SHEET



NingBo KLS ELECTRONIC CO.,L TD.