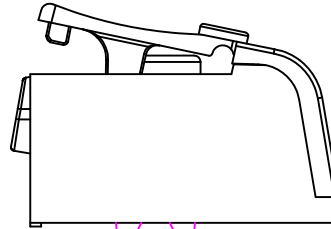
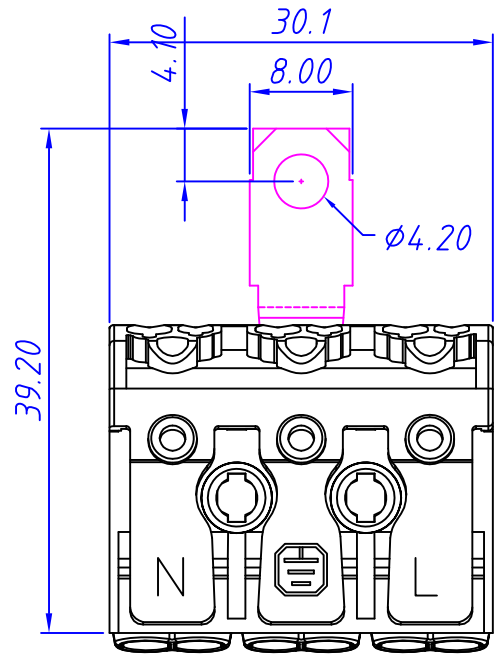
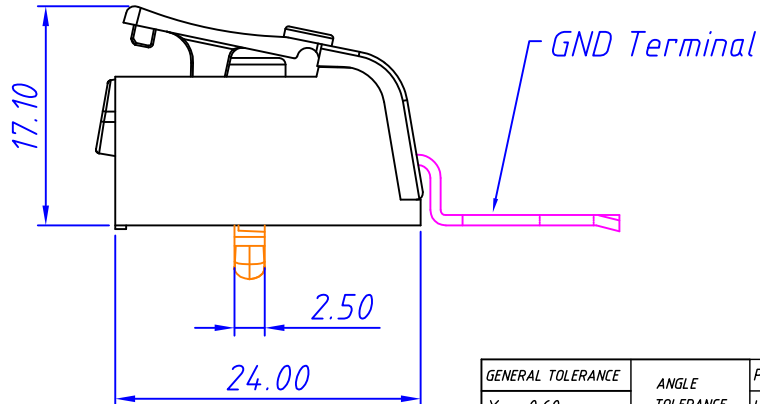
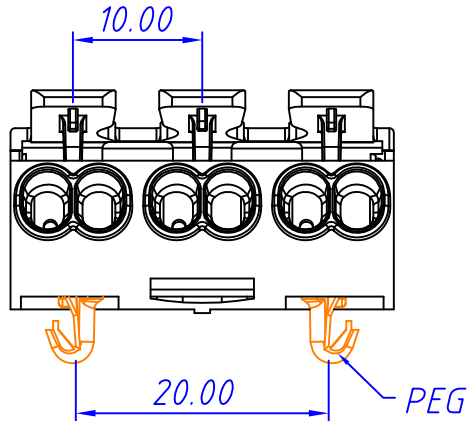


RoHS Compliance



Bottom GND Terminal

N Type



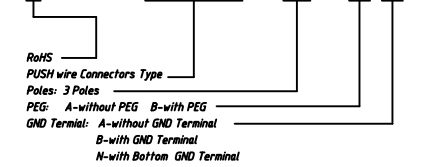
Electrical :  
 Rated Voltage: 450V(IEC/ENI)/300V(UL)  
 Rated Current: 16A  
 Contact resistance: 20 mΩ  
 Insulation resistance: 5000MΩ/DC1000V  
 Withstanding voltage : AC2500V/1 min  
 Cross Section: Solid conductor & Stranded conductor  
 A holes: 0.5-2.5mm<sup>2</sup>/14-20AWG  
 B holes: 0.5-1.5mm<sup>2</sup>/16-20AWG  
 C holes: 0.5-2.5mm<sup>2</sup>/14-20AWG

Materials  
 Insulation Materials: PA 66,WHITE,UL94V-2  
 Contact: Copper,Nickel Plated  
 Wire guard : Stainless steel

Number of poles: 3 poles  
 Strip length : 8-10mm  
 Operating Temperature: -40°C~+105°C

ORDER INFORMATION

L-KLS2- 238K - 03P X X



GENERAL TOLERANCE		ANGLE TOLERANCE	PROJECTION	Description:
X. ±0.60		±2°	UNITS	mm
.X ±0.38			SHEET SIZE	A4
.XX ±0.25			KLS P/N:	
				PUSH wire Connector
				L-KLS2-238K-03Pxx

Draw: Daniel 2018-08-27  
 Check: Daniel 2018-08-27  
 SCALE SHEET



NingBo KLS ELECTRONIC CO.,L TD.