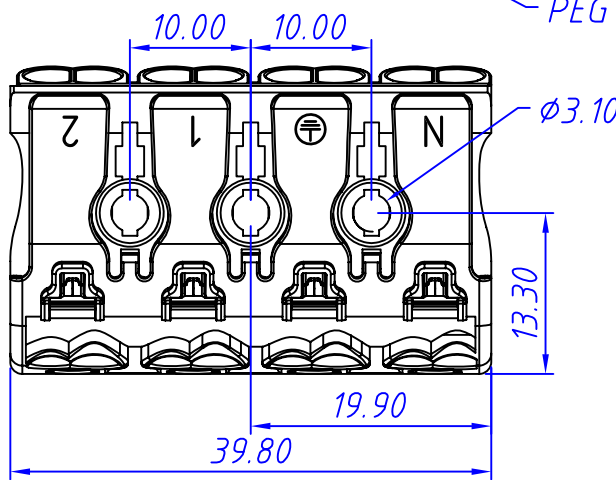
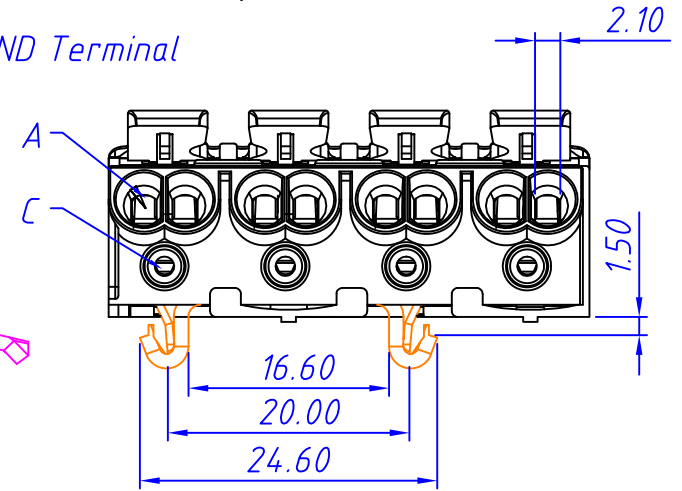
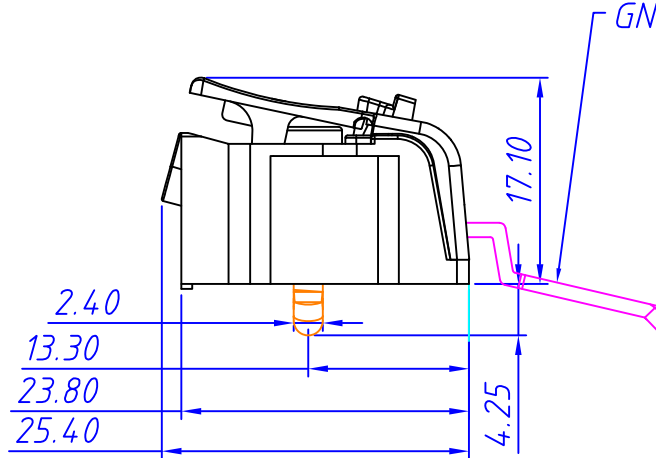
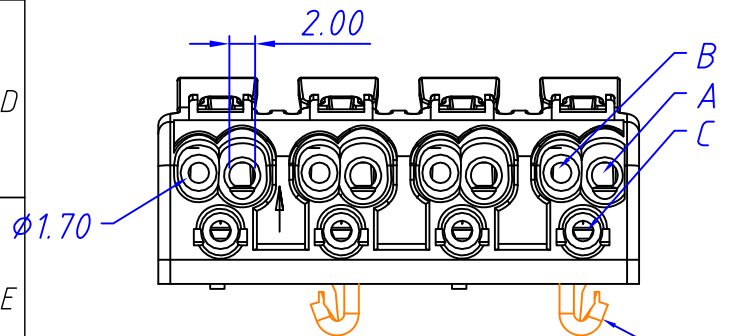
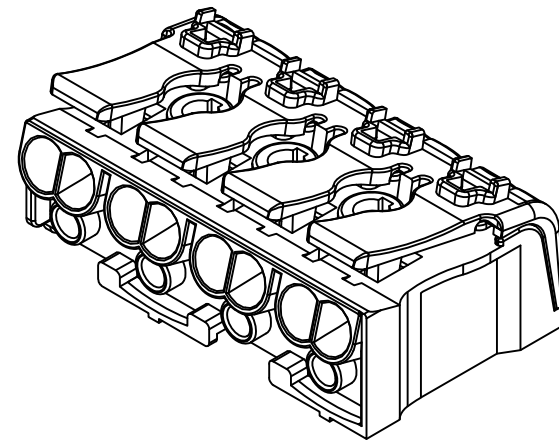
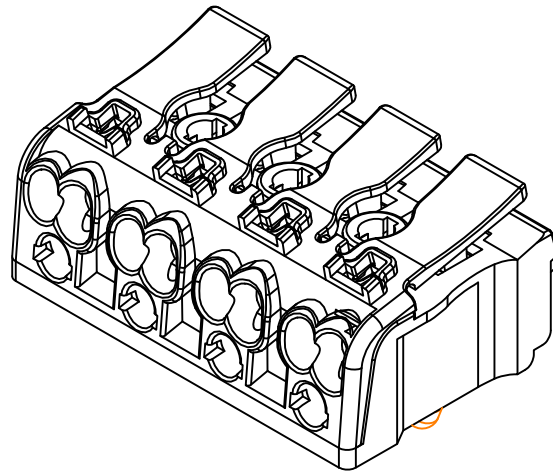
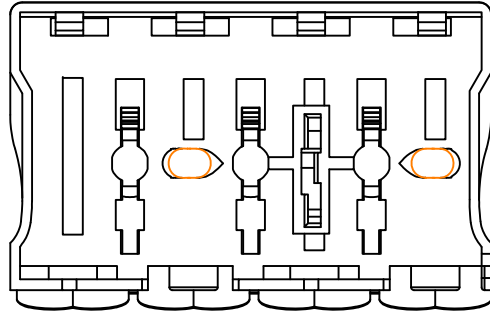


1 RoHS Compliance



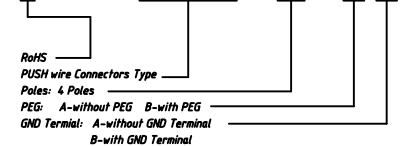
Electrical :
 Rated Voltage: 450V(IEC/ENI/300V(UL))
 Rated Current: 16A
 Contact resistance: 20 mΩ
 Insulation resistance: 5000MΩ/DC1000V
 Withstanding voltage: AC2500V/1 min
 Cross Section: Solid conductor & Stranded conductor
 A holes: 0.5-2.5mm²/14-20AWG
 B holes: 0.5-1.5mm²/16-20AWG
 C holes: 0.5-2.5mm²/14-20AWG


Materials
 Insulation Materials: PA 66,WHITE,UL94V-2
 Contact: Copper,Nickel Plated
 Wire guard: Stainless steel

Number of poles: 4 poles
 Strip length: 8-10mm
 Operating Temperature: -40°C~+105°C

ORDER INFORMATION

L-KLS2- 238L - 04P X X



GENERAL TOLERANCE		ANGLE TOLERANCE	PROJECTION	Description:
X. ±0.60		±2°	UNITS mm	PUSH wire Connector L-KLS2-238L-04Pxx
.X ±0.38			SHEET SIZE A4	
.XX ±0.25			KLS P/N:	
Draw: Daniel	2018-08-27	 NingBo KLS ELECTRONIC CO.,L TD.		
Check: Daniel	2018-08-27			
SCALE	SHEET			