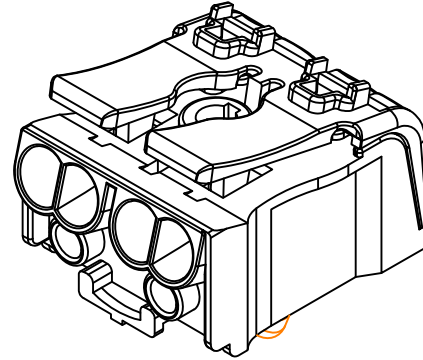
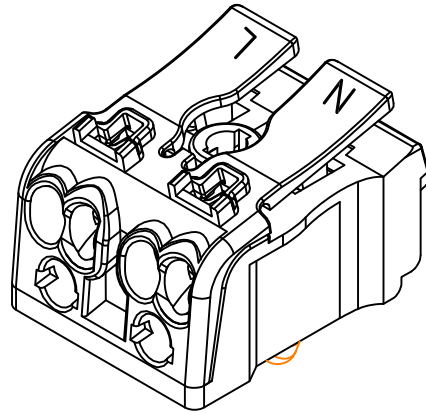
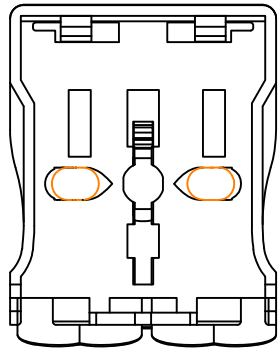


1 RoHS Compliance



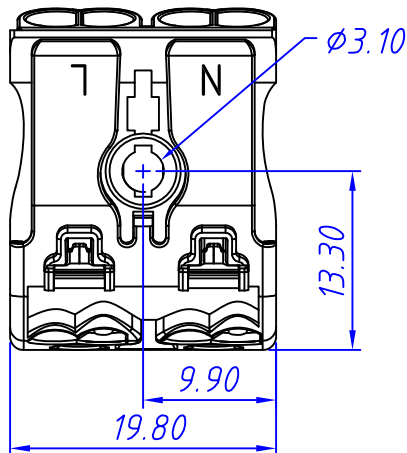
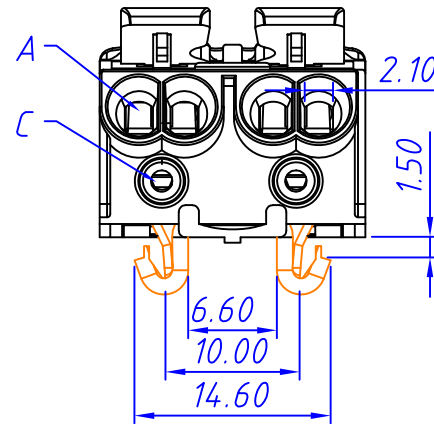
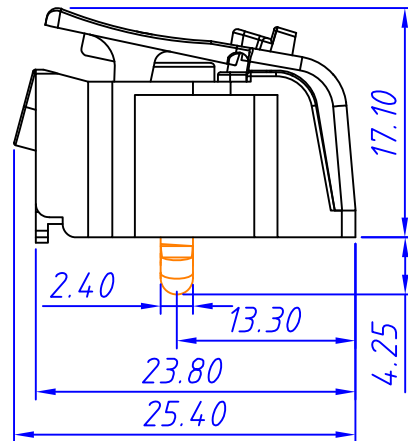
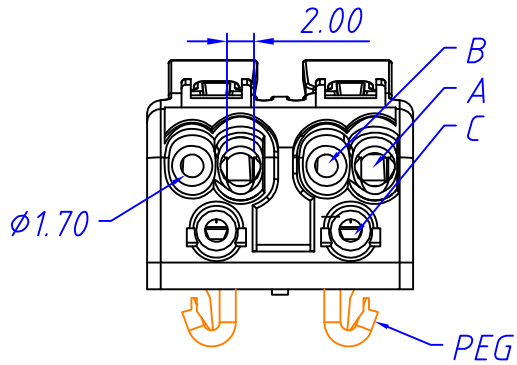
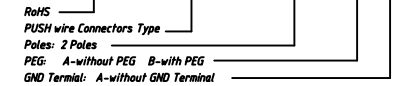
Electrical :
Rated Voltage: 450V(IEC/EN)/300V(UL)
Rated Current: 16A
Contact resistance: 20 mΩ
Insulation resistance: 5000MΩ/DC1000V
Withstanding voltage : AC2500V/1 min
Cross Section: Solid conductor & Stranded conductor
A holes: 0.5-2.5mm²/14-20AWG
B holes: 0.5-1.5mm²/16-20AWG
C holes: 0.5-2.5mm²/14-20AWG


Materials
Insulation Materials: PA 66,WHITE,UL 94V-2
Contact: Copper,Nickel Plated
Wire guard : Stainless steel

Number of poles: 2 poles
Strip length : 8-10mm
Operating Temperature: -40°C~+105°C

ORDER INFORMATION

L-KLS2- 238L - 02P X A



GENERAL TOLERANCE		ANGLE TOLERANCE	PROJECTION	Description:
X. ±0.60		±2°	UNITS	mm
.X ±0.38			SHEET SIZE	A4
.XX ±0.25			KLS P/N: L-KLS2-238L-02Pxx	
Draw: Daniel	2018-08-27	 NingBo KLS ELECTRONIC CO.,L TD.		
Check: Daniel	2018-08-27			
SCALE	SHEET			