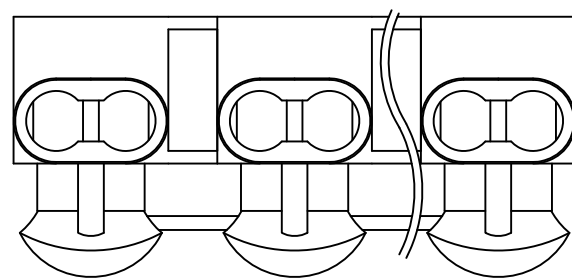
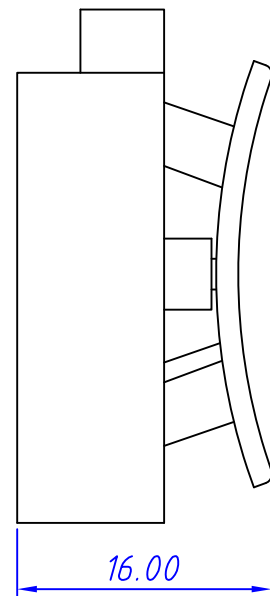
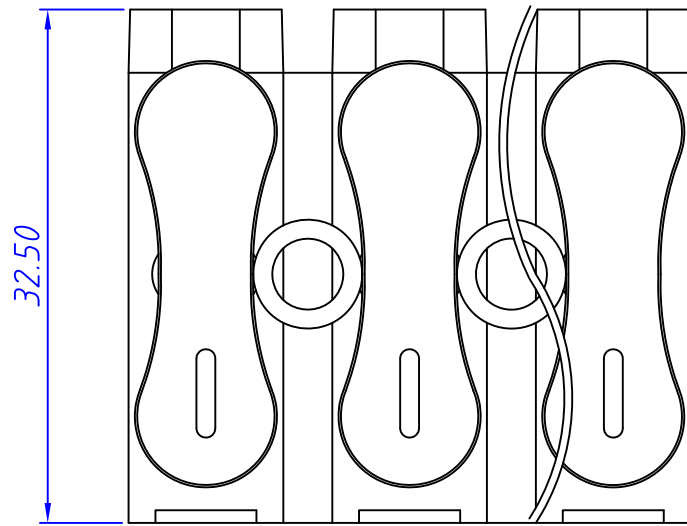
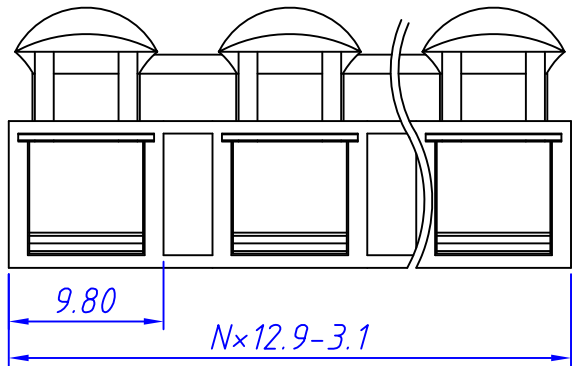


1 RoHS Compliance



Electrical :
 Rated Voltage: 450V
 Rated Current: 10A
 Wiring Capacity: 0.5-2.5mm²


Materials
 Insulation Materials: PP, Flame Retardant, White
 Contact: Steel spring, Nickel Plated

Number of poles: 1~5 poles
 Strip length : 11mm
 Operating Temperature: 105°C

ORDER INFORMATION

L-KLS2- 9238 - XXP - 9

Color code: 9- White
 Poles: 1~5 Poles
 PUSH wire Connectors Type
 RoHS

GENERAL TOLERANCE		ANGLE TOLERANCE	PROJECTION	Description:
X. ±0.60		±2°	UNITS	mm
.X ±0.38			SHEET SIZE	A4
.XX ±0.25			KLS P/N: L-KLS2-9238-XXP-9	
Draw: Daniel	2018-08-27	 NingBo KLS ELECTRONIC CO.,L TD.		
Check: Daniel	2018-08-27			
SCALE	SHEET			