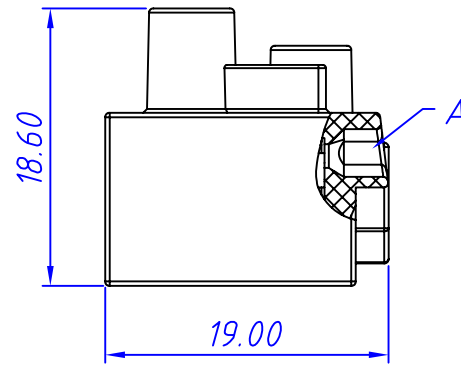
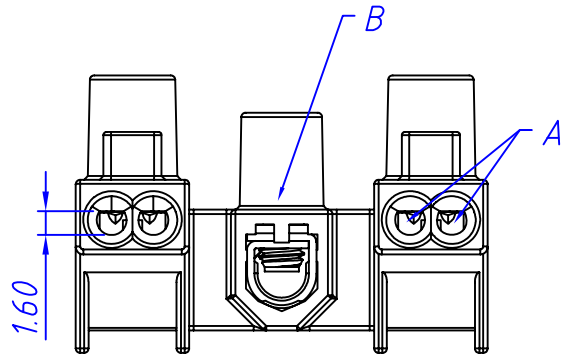


RoHS Compliance



Electrical :

Rated Voltage: 450V

Rated Current: 17.5A

Cross Section  
 A: 0.5~1.5 mm<sup>2</sup>  
 C: 0.75~2.5 mm<sup>2</sup>  
 B: 0.75~4.0 mm<sup>2</sup>

Materials

Insulation Materials: PA66 66, White, UL 94V-2

Contact: Iron, zinc-plated

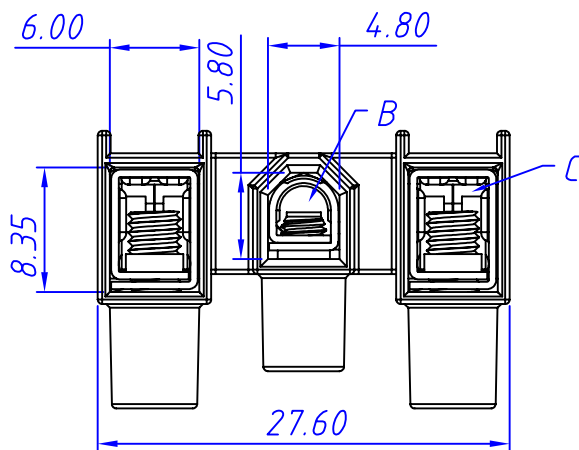
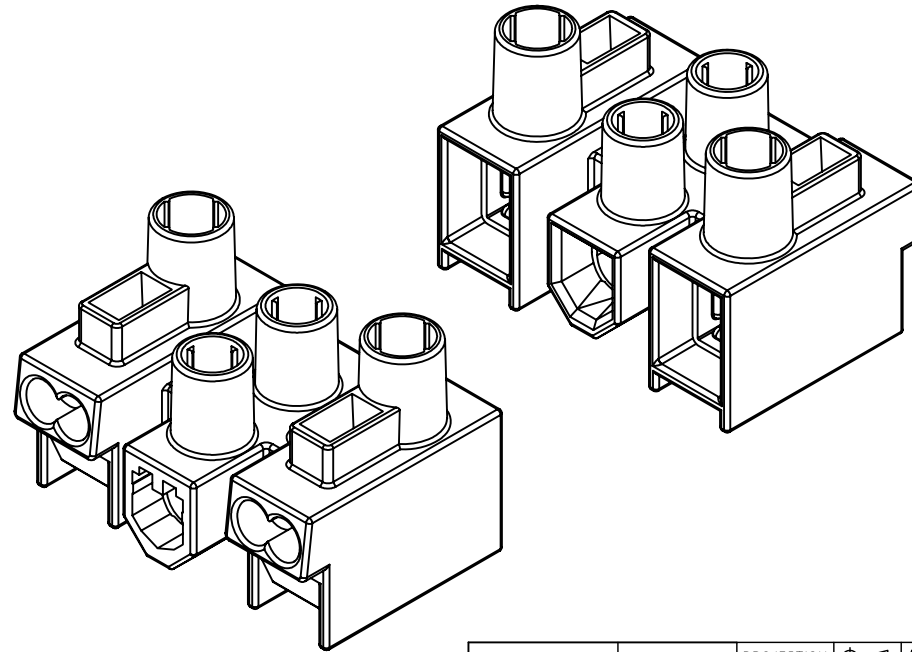
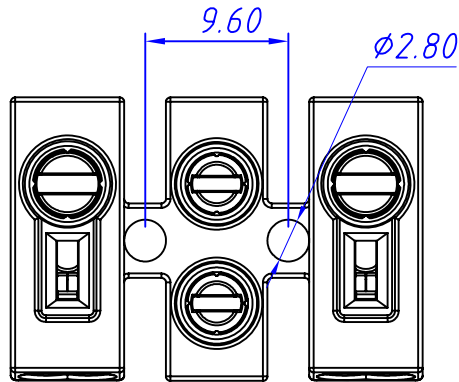
Spring: Stainless steel spring


Screw: M3 & M3.5, Steel Zinc Plated

Number of poles: 3 poles

Strip length : 8mm

Operating Temperature: -40~100°C



GENERAL TOLERANCE		ANGLE TOLERANCE	PROJECTION	Description:
X. ±0.60	±2°	UNITS	mm	PUSH wire Connector
.X ±0.38		SHEET SIZE	A4	
.XX ±0.25		KLS P/N:		L-KLS2-238C-03P
Draw: Daniel	2018-08-27	 NingBo KLS ELECTRONIC CO.,L TD.		
Check: Daniel	2018-08-27			
SCALE	SHEET			