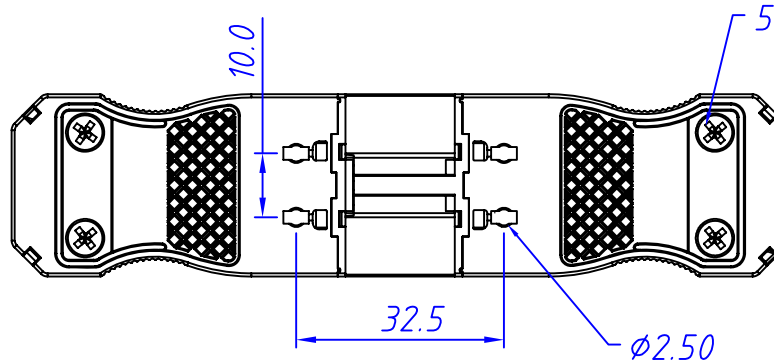
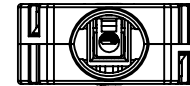
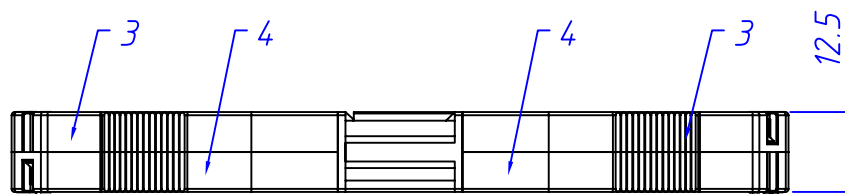
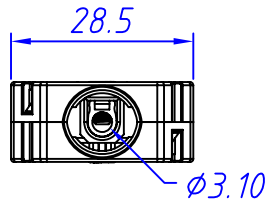
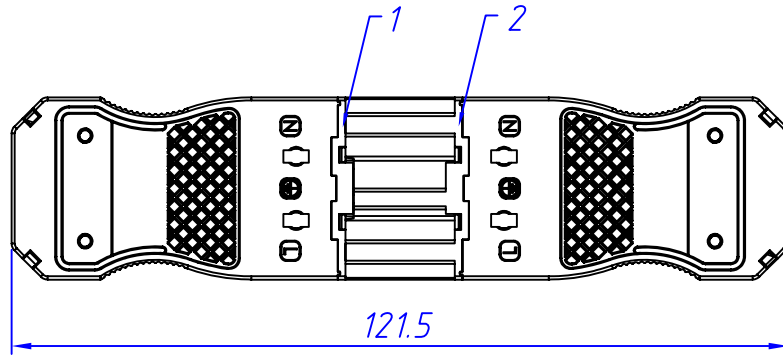


1 RoHS Compliance

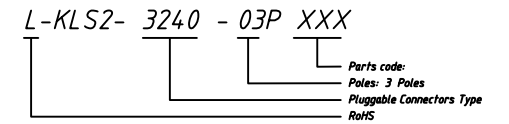


Electrical :
Rated Voltage: 250V (IEC/EN)/600V(UL)
Rated Current: 16A
Cross Section(IEC EN/UL)
Solid conductor: 0.75-2.5mm²/14-18AWG
Stranded conductor: 0.75-2.5mm²/14-18AWG
Flexible conductor: 0.75-2.5mm²/14-18AWG


Materials
Insulation Materials: Polyamide 66,Black,UL 94V-2
Contact: Brass,Nickel Plated
Screw: M3, SteelZinc Plated

Number of poles: 3 poles
Strip length : 7mm
Protection Degree: IP30
Operating Temperature: 90°C

ORDER INFORMATION



5	M3 Screw	PC05	PCS	4
4	Top cover	PC04	PCS	2
3	Bottom cover	PC03	PCS	2
2	Female plug Terminal	PC02	PCS	1
1	Male plugTerminal	PC01	PCS	1
ITEM	PART NAME	Part's CODE	UNIT	Q'TY

GENERAL TOLERANCE		ANGLE TOLERANCE	PROJECTION	Description:	
X. ±0.60	±2°	UNITS	mm	Pluggable Connectors	
.X ±0.38			SHEET SIZE		A4
.XX ±0.25			KLS P/N:		L-KLS2-3240-03P
Draw:	Daniel	2018-08-27	 NingBo KLS ELECTRONIC CO.,L TD.		
Check:	Daniel	2018-08-27			
SCALE		SHEET			