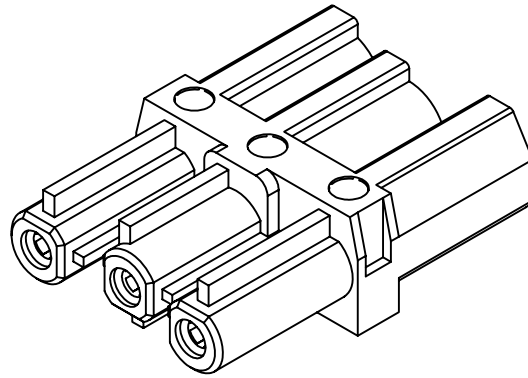


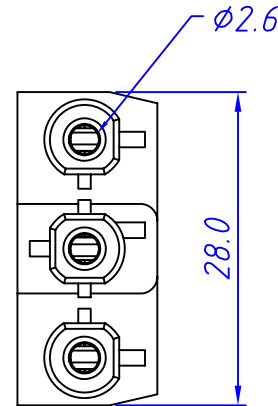
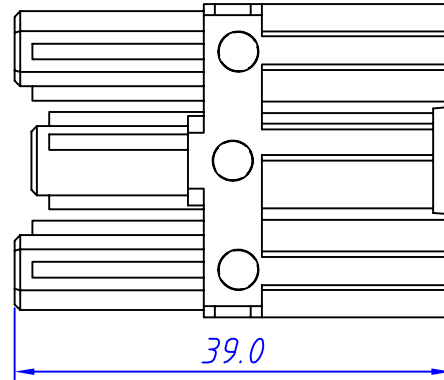
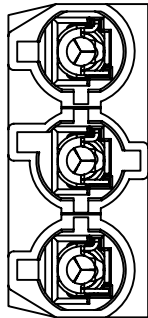
1
RoHS Compliance



Electrical :
 Rated Voltage: 250V(IEC/EN) / 600V(UL)
 Rated Current: 16A IEC/EN

Materials
 Insulation Materials: Polyamide 66,Black,UL 94 V-2
 Contact: Brass,Nickel Plated

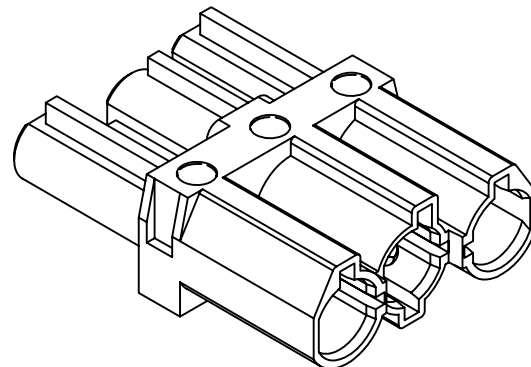
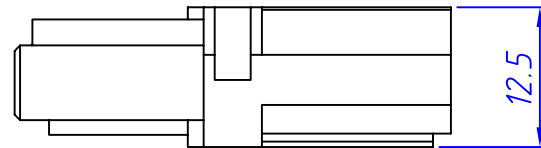
Number of poles: 3 poles
 Protection Degree: IP30
 Operating Temperature: 90°C




ORDER INFORMATION

L-KLS2- 3236 - 03P

Poles: 3 Poles
 Pluggable Connectors Type
 RoHS



| GENERAL TOLERANCE | | ANGLE TOLERANCE | PROJECTION | Description: |
|-------------------|------------|---|-----------------|----------------------|
| X. ±0.60 | | ±2° | UNITS | Pluggable Connectors |
| .X ±0.38 | SHEET SIZE | | A4 | |
| .XX ±0.25 | KLS P/N: | | L-KLS2-3236-03P | |
| Draw: Daniel | 2018-08-27 |  NingBo KLS ELECTRONIC CO.,L TD. | | |
| Check: Daniel | 2018-08-27 | | | |
| SCALE | SHEET | | | |