

1  
RoHS Compliance

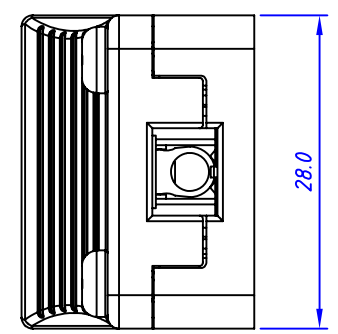
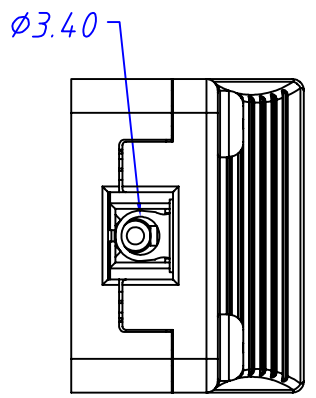
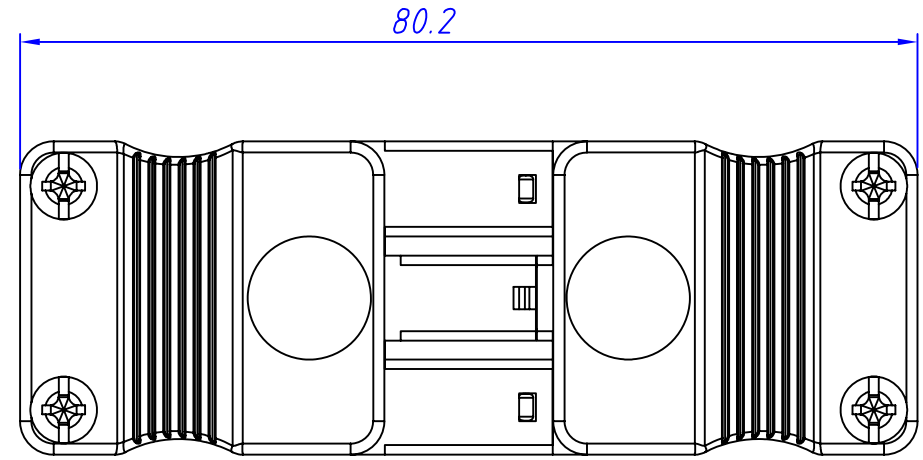
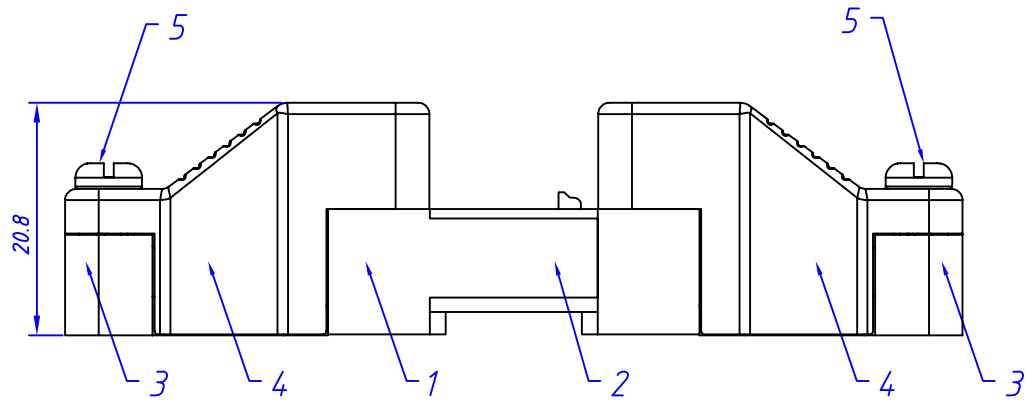
Electrical :  
 Rated Voltage: 250V IEC/EN  
 Rated Current: 16A IEC/EN  
 Cross Section(IEC EN)  
 Solid conductor: 0.75-1.5mm<sup>2</sup>  
 Stranded conductor: 0.75-1.5mm<sup>2</sup>  
 Flexible conductor: 0.75-1.5mm<sup>2</sup>

Materials  
 Insulation Materials: Polyamide 66,Black,UL 94V-2  
 Contact: Brass,Nickel Plated  
 Screw: M2.6, SteelZinc Plated


Number of poles: 3 poles  
 Strip length : 7mm  
 Protection Degree: IP30  
 Operating Temperature: 90°C

ORDER INFORMATION

L-KLS2- 3237 - 03P XXX  
 Parts code:  
 Poles: 3 Poles  
 Pluggable Connectors Type  
 RoHS



5	M2.6 Screw	PC05	PCS	4
4	Top cover	PC04	PCS	2
3	Bottom cover	PC03	PCS	2
2	Female plug Terminal	PC02	PCS	1
1	Male plug Terminal	PC01	PCS	1
ITEM	PART NAME	Part's CODE	UNIT	Q'TY

GENERAL TOLERANCE		ANGLE TOLERANCE	PROJECTION	Description:
X. ±0.60	±2°	UNITS	mm	Pluggable Connectors
.X ±0.38			A4	
.XX ±0.25			KLS P/N:	L-KLS2-3237-03P
Draw: Daniel	2018-08-27	 NingBo KLS ELECTRONIC CO.,L TD.		
Check: Daniel	2018-08-27			
SCALE	SHEET			