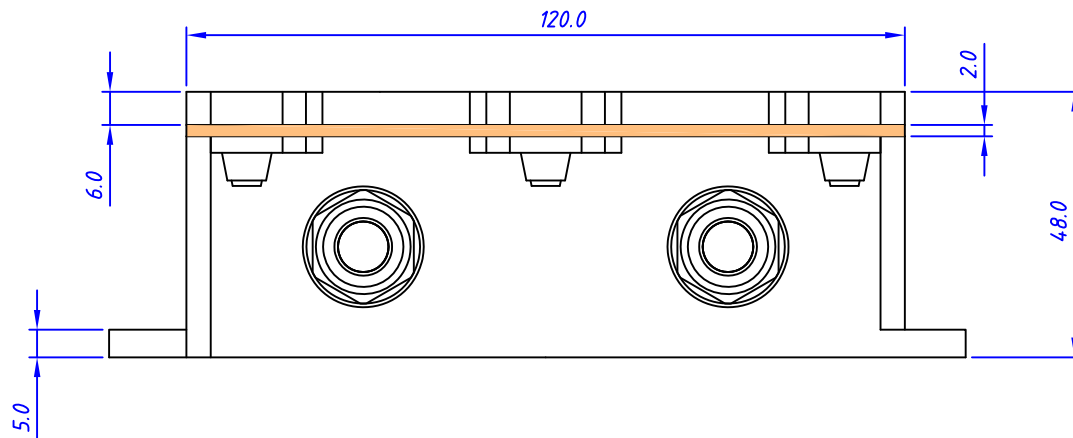
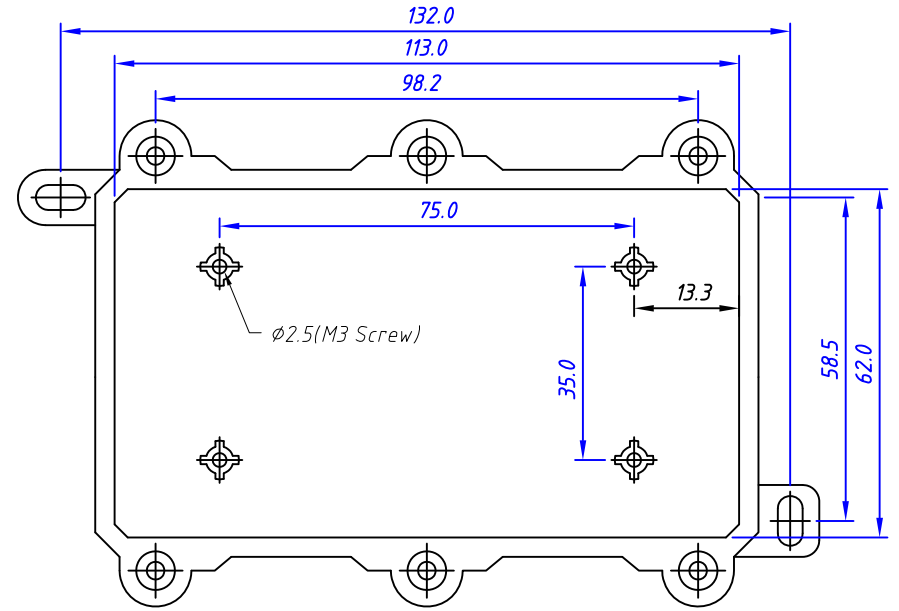
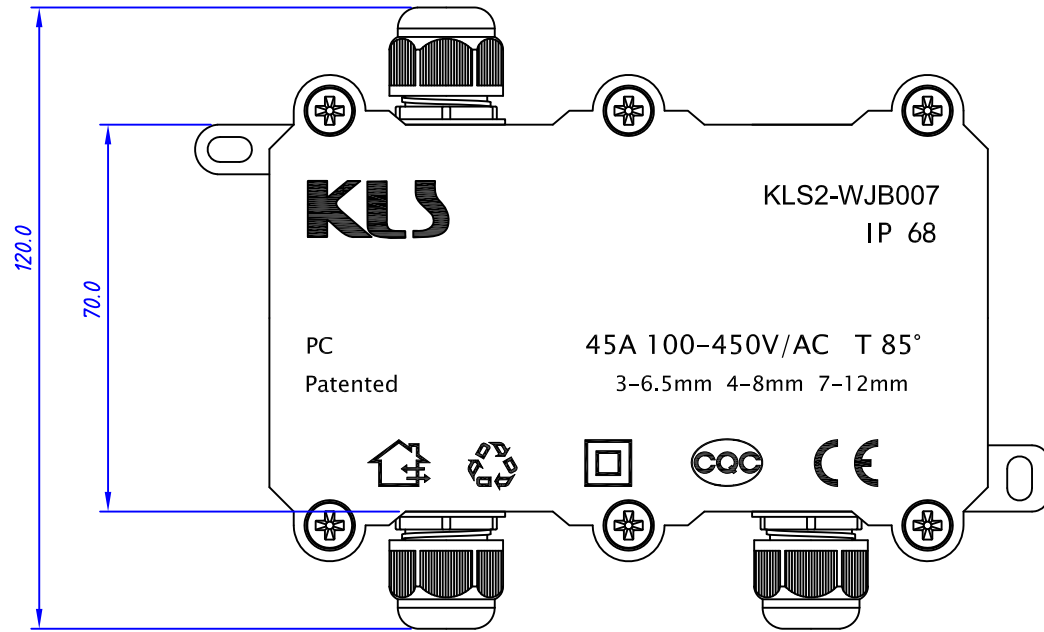


RoHS Compliance



Note

- 1- Internal size: L113×W62×H38mm
- 2- Material: PC PP
- 3- Waterproof Level: IP68
- 4- Certification: CE CQC SGS

ORDER INFORMATION

L-KLS2-WJB007 -B PG09

| Cable Gland | PG7 | PG9 | PG13.5 |
|-------------|-------|-----|--------|
| Cable OD mm | 3-6.5 | 4-8 | 7-12 |

Color: B- Black W- White
WATERPROOF BOX Type
RoHS

| GENERAL TOLERANCE | | ANGLE TOLERANCE | PROJECTION | Description: | |
|-------------------|------------|---|------------|---------------------------------------|------------------|
| X. ±0.60 | ±2° | mm | UNITS | IP68 WATERPROOF BOX, 132×58.5×48mm | |
| .X ±0.38 | | | SHEET SIZE | | A4 |
| .XX ±0.25 | | | KLS P/N: | | KLS2-WJB007-XXXX |
| Draw: Daniel | 2018-08-27 |  NingBo KLS ELECTRONIC CO.,L TD. | | | |
| Check: Daniel | 2018-08-27 | | | | |
| SCALE | SHEET | | | | |