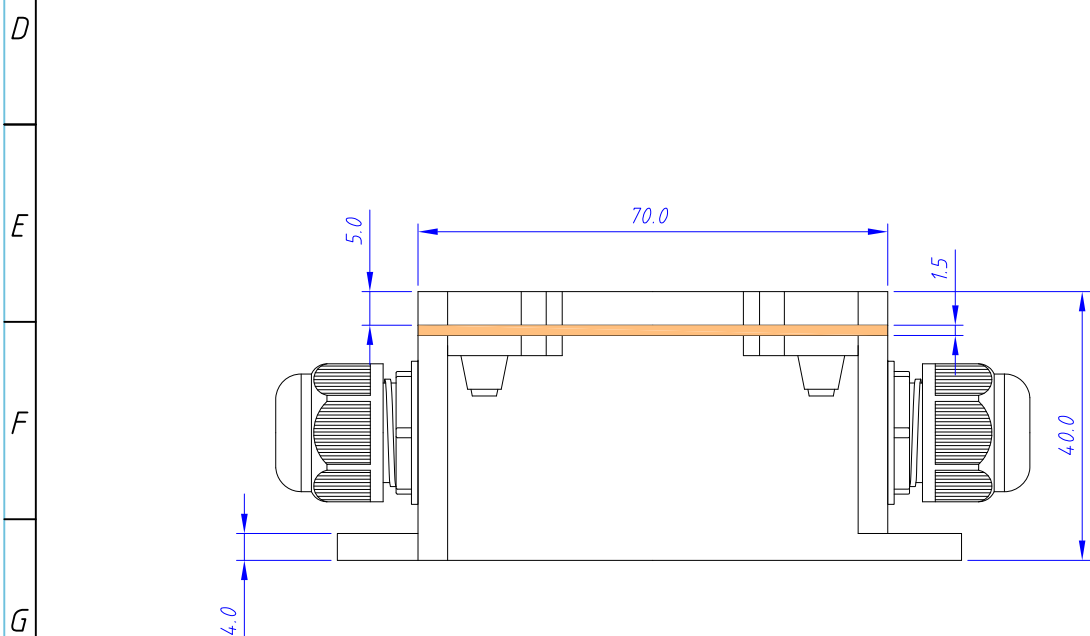
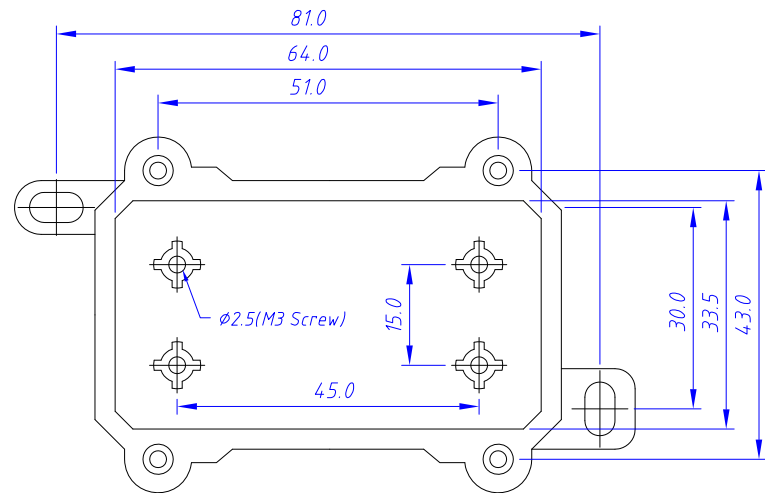
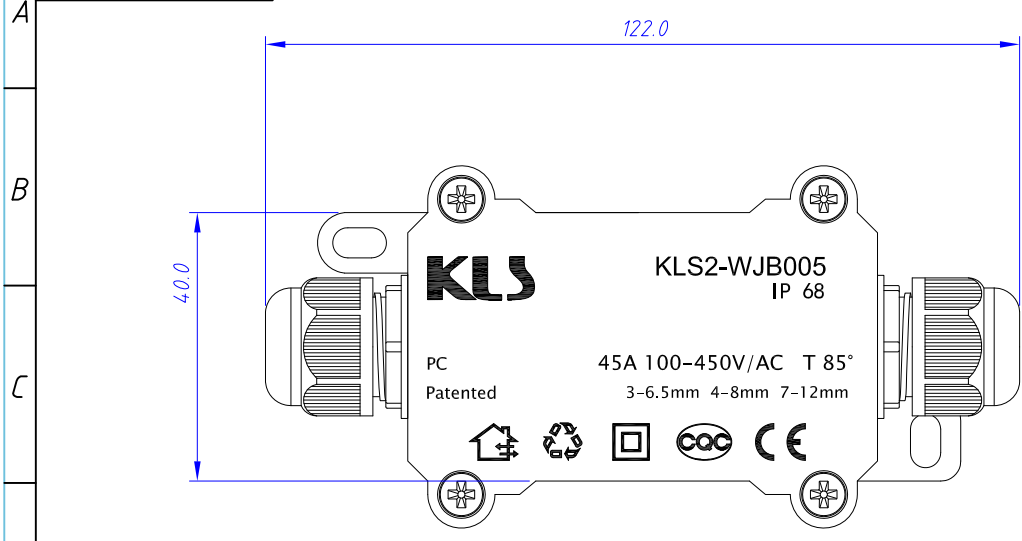


RoHS Compliance



- Note
- 1- Internal size:L64xW33.5xH31mm
 - 2- Material: PC PP
 - 3- Waterproof Level: IP68
 - 4- Certification: CE CQC SGS

ORDER INFORMATION

L-KLS2-WJB005- B PG09

Cable Gland	PG7	PG9	PG13.5
Cable OD mm	3-6.5	4-8	7-12

Color: B- Black W- White
WATERPROOF BOX Type
RoHS

GENERAL TOLERANCE		ANGLE TOLERANCE	PROJECTION	Description:
X. ±0.60	±2°	UNITS	mm	IP68 WATERPROOF BOX, 81x40x40mm
.X ±0.38			A4	
.XX ±0.25			KLS P/N: KLS2-WJB005-XXX	

Draw: Daniel 2018-08-27
Check: Daniel 2018-08-27
SCALE SHEET



NingBo KLS ELECTRONIC CO.,L TD.