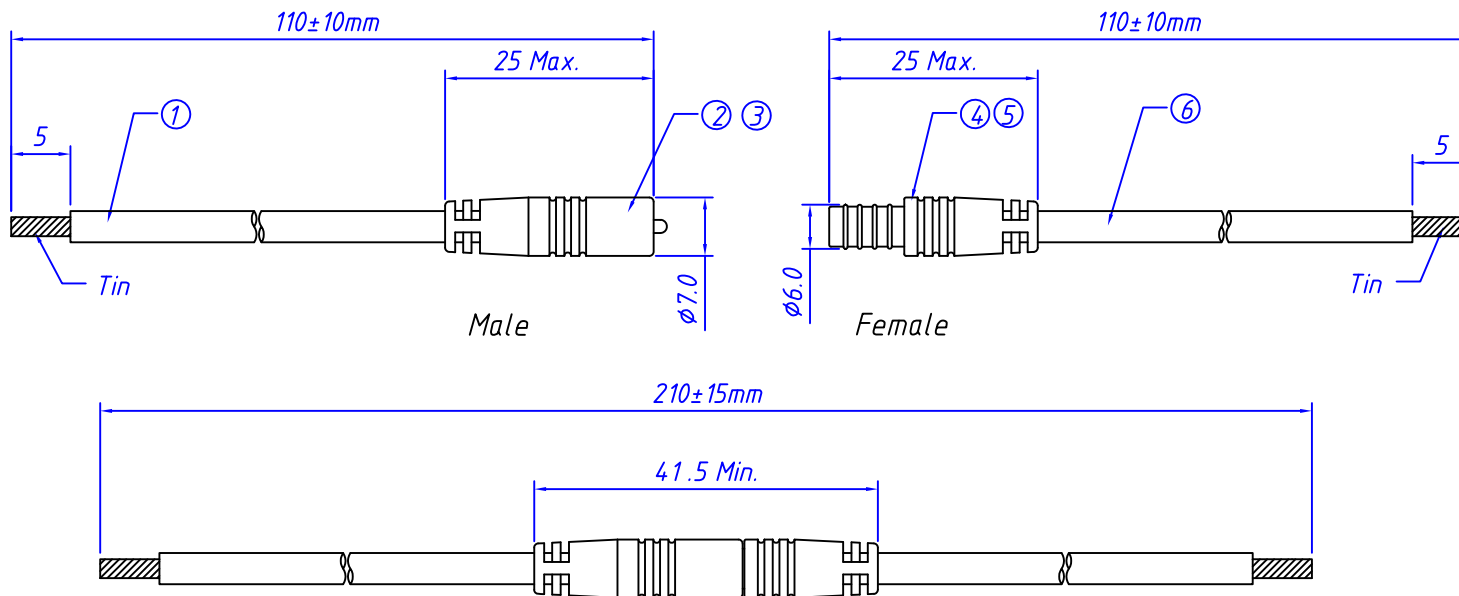


1 RoHS Compliant



Order Information:

L-KLS17-LDC07-210 R 18

RoHS —  
 Series —  
 Long: —  
 210- L=210mm  
 PVC Color: —  
 R- Red; B- Black  
 Wire Gauge: —  
 18- UL 1007 18AWG PVC Cable

How to order KLS waterproof cable:

- 1-Confirm the cable material
- 2-Connector Contact number & wire size (18AWG ,.....)
- 3-Select form factor
- 4-Determination of length, single-sided length with connector
- 5-Determine the tail handling method ( Stripping, Tin.....)
- 6-Special custom requirements

Note

- 1: Open/Short Text 100% Text. insulation: Min, 2M
- 2: All must be meet on RoHS Compliant

6	Cable	UL 1007 18AWG PVC Cable,Red	mm	110
5	PVC	PVC 45P MOLDING,Black	g	xx
4	Contact	DC Terminal,Female	PCS	1
3	Contact	DC Terminal,Male	PCS	1
2	PVC	PVC 45P MOLDING,Black	g	xx
1	Cable	UL 1007 18AWG PVC Cable,Red	mm	110
ITEM	PART NAME	Description	UNIT	Q'TY

		Description:	
		M6 WATERPROOF POWER CABLE ,IP60	
PROJECTION		KLS P/N:	L-KLS17-LDC07-XXXXXX
UNITS	mm		
SHEET SIZE	A4		
Draw:Daniel	2018-09-29		NingBo KLS ELECTRONIC CO.,L TD.
Check:Daniel	2018-09-29		