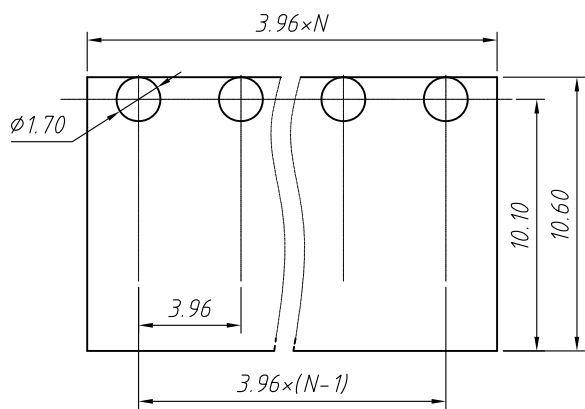
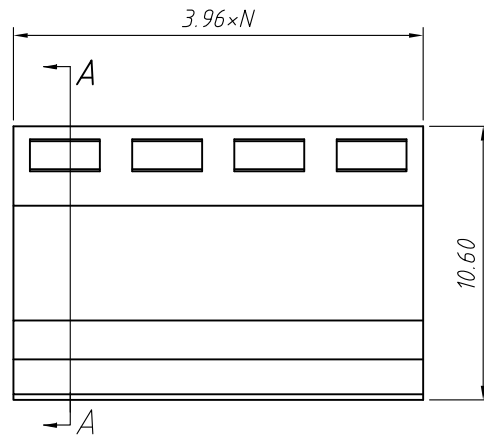
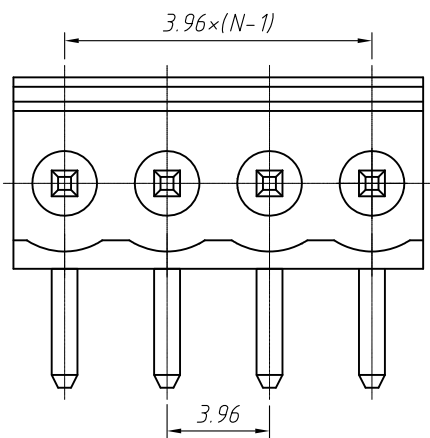


SECTION A-A



PCB LAYOUT



Material
 Housing: PA66, UL 94V-0
 Pin header: Brass, Sn plated

Electrical
 Rated voltage: 300V
 Rated current: 8A
 Contact Resistance: 20 mΩ
 Insulation resistance: 500MΩ/DC500V
 Withstand voltage: AC2000V / 1 min

Mechanical
 Temp. Range: -40 °C ~ +105 °C

Order Information

L-KLS2-EDR-3.96-XXP-4 00

RoHS
 Terminal Block
 Pitch
 No.: of Pole
 Color: 4- Green
 Product Code: 00~99

| GENERAL TOLERANCE | | ANGLE TOLERANCE | | Description: | |
|-------------------|------------|-----------------|----|----------------------------------|------------------------|
| X. ±0.60 | .X ±0.38 | .XX ±0.25 | | X. ±5° | .X ±3° |
| | | | | .XX ±2° | |
| Draw by | 2015-09-01 | PROJECTION | | Pluggable Terminal Block 3.96 MM | |
| Check by | 2015-09-15 | UNITS | mm | KLS P/N: | KLS2-EDR-3.96-XXP-4-00 |
| SCALE | | SHEET SIZE | A4 | NingBo KLS ELECTRONIC CO.,L TD. | |