

1 2 3 4 5 6 7 8

A

B

C

D

E

F

G

H

A

B

C

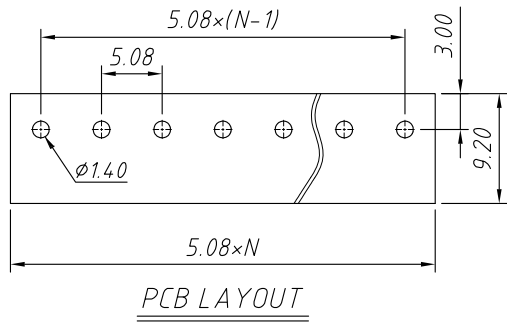
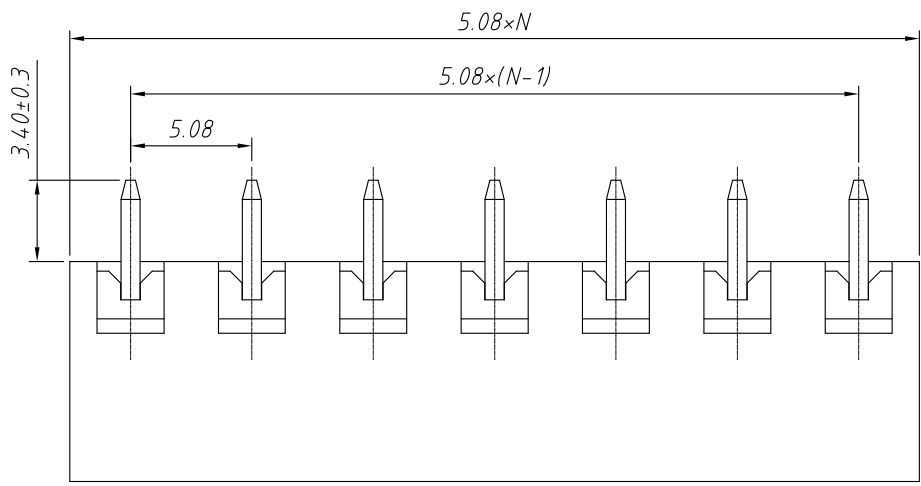
D

E

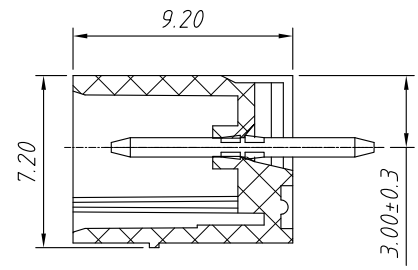
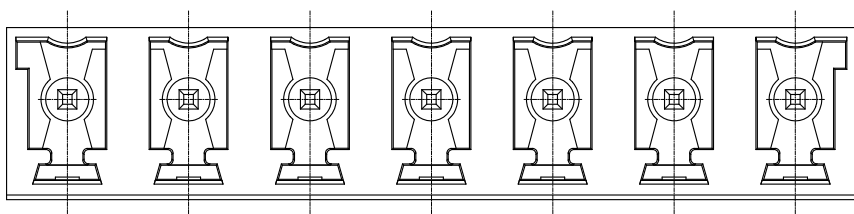
F

G

H



PCB LAYOUT

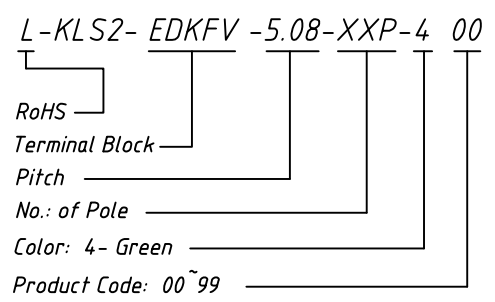



Material
 Housing: PA66, UL 94V-0
 Pin header: Brass, Tin plated

Electrical
 Rated voltage: 300V
 Rated current: 8A
 Contact Resistance: 20 mΩ
 Insulation resistance: 500MΩ/DC500V
 Withstand voltage: AC2000V / 1 min

Mechanical
 Temp. Range: -40 °C ~ +105 °C

Order Information



GENERAL TOLERANCE		ANGLE TOLERANCE		Description:	
X. ±0.60	.X ±0.38	.XX ±0.25	X. ±5°	.X ±3°	.XX ±2°
Draw by 2015-09-01			PROJECTION		 NingBo KLS ELECTRONIC CO.,L TD.
Check by 2015-09-15			UNITS mm		
SCALE			SHEET SIZE A4		
				KLS P/N: KLS2-EDKFV-5.08-XXP-4-00	
Pluggable Terminal Block 5.08 MM					

1 2 3 4 5 6 7 8