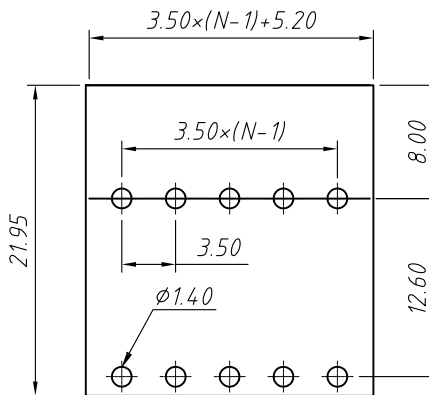
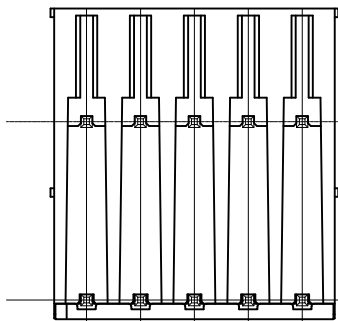


SECTION A-A



PCB LAYOUT

Material
Housing: PA66, UL 94V-0
Pin header: Brass, Tin plated

Electrical
Rated voltage: 300V
Rated current: 8A
Contact Resistance: 20 mΩ
Insulation resistance: 500MΩ/DC500V
Withstand voltage: AC2000V / 1 min

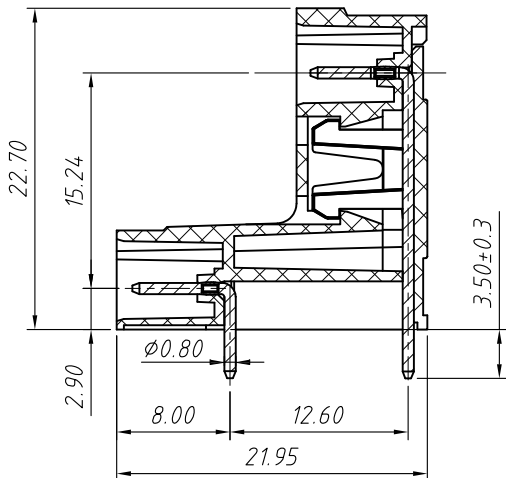
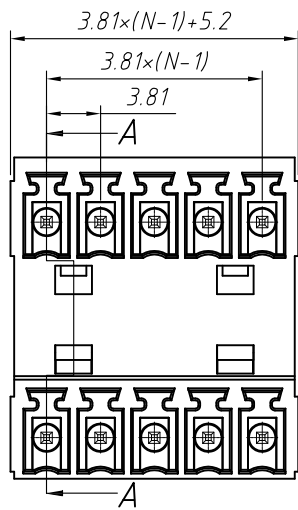
Mechanical
Temp. Range: -40 °C ~ +105 °C

Order Information

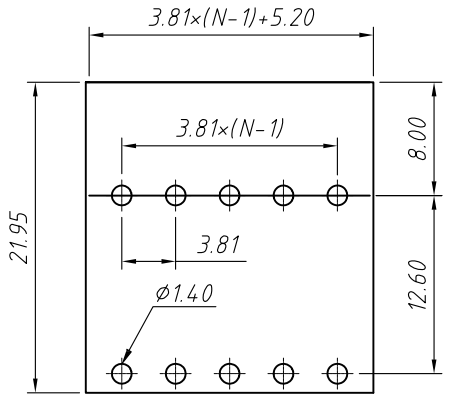
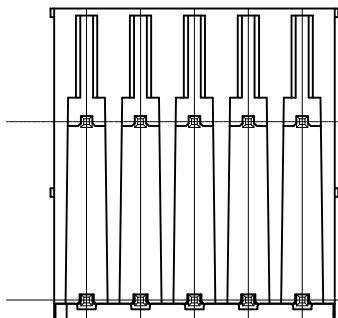
L-KLS2-EDBR-3.50-XXP-4 00

RoHS
Terminal Block
Pitch
No.: of Pole
Color: 4- Green
Product Code: 00~99

GENERAL TOLERANCE		ANGLE TOLERANCE		Description:	
X. ±0.60	.X ±0.38	X. ±5°	.X ±3°	Pluggable Terminal Block 3.5 MM	
.XX ±0.25		.XX ±2°		KLS P/N:	KLS2-EDBR-3.50-XXP-4-00
Draw by	2015-09-01	PROJECTION			NingBo KLS ELECTRONIC CO.,L TD.
Check by	2015-09-15	UNITS	mm		
SCALE		SHEET SIZE	A4		



SECTION A-A



PCB LAYOUT

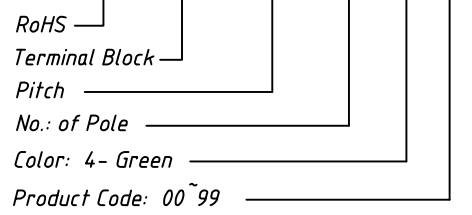
Material
 Housing: PA66, UL94V-0
 Pin header: Brass, Tin plated

Electrical
 Rated voltage: 300V
 Rated current: 8A
 Contact Resistance: 20 mΩ
 Insulation resistance: 500MΩ/DC500V
 Withstand voltage: AC2000V / 1 min

Mechanical
 Temp. Range: -40 °C ~ +105 °C

Order Information

L-KLS2-EDBR-3.81-XXP-4 00



GENERAL TOLERANCE		ANGLE TOLERANCE		Description:	
X.	±0.60	X.	±5°	Pluggable Terminal Block 3.81 MM	
.X	±0.38	.X	±3°		
.XX	±0.25	.XX	±2°	KLS P/N:	KLS2-EDBR-3.81-XXP-4-00
Draw by	2015-09-01	PROJECTION		NingBo KLS ELECTRONIC CO.,L TD.	
Check by	2015-09-15	UNITS	mm		
SCALE		SHEET SIZE	A4		