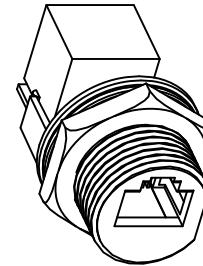
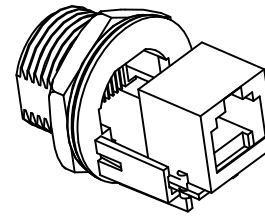
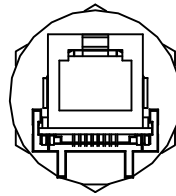
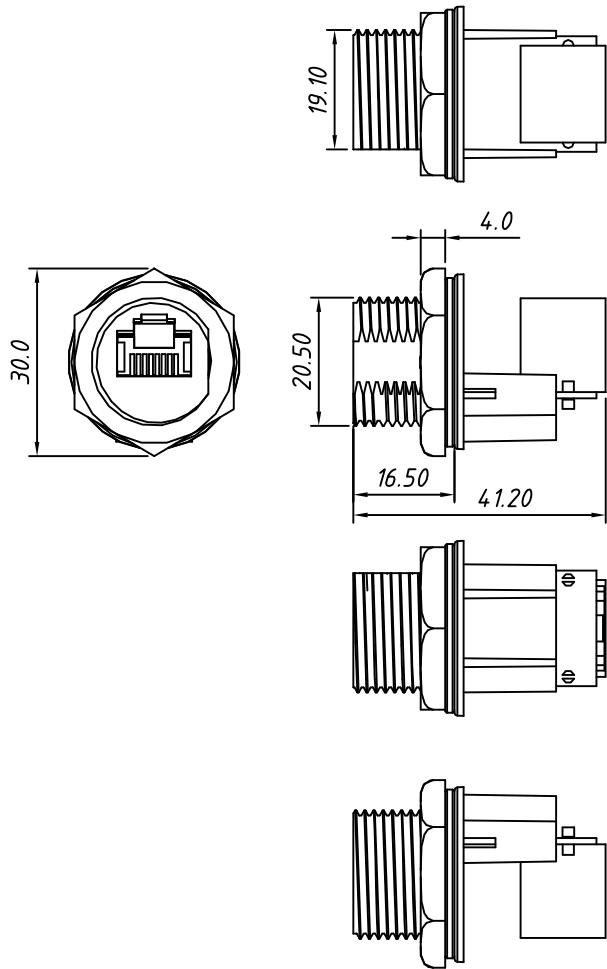


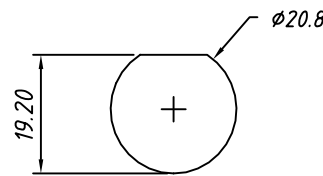
RoHS Compliance



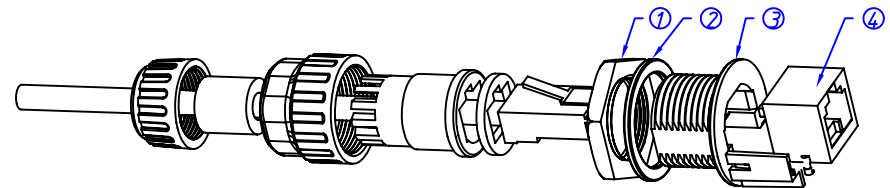
Material:
 Insulator: Nylon, UL 94 V-0, Black
 Waterproof O-Rings: silicone

Electrical Characteristics:
 Contact Resistance: 10mΩ Max
 Withstand Voltage: 1500V AC/DC
 Insulator Resistance: 1000MΩ Min
 Waterproof level: IP67

Mechanical
 Operating Temperature: -20°C ~ +105°C
 Mechanical life: 3000cycles



Panel Cut-Out



Assembly Draw.

4	RJ45 Jack	RJ45-8P8C Jack,R/A,with Shell	PCS	1
3	Body Male	Nylon,UL94V-0,Black	PCS	1
2	O-Rings	Silicone,Black	PCS	1
1	Nut	Nylon,UL94V-0,Black	PCS	1
ITEM	PART NAME	Description	UNIT	Q'TY

ANGLE TOLERANCE	PROJECTION	Description:	RJ45 waterproof connector, Jack R/A,IP67	
±3°				
GENERAL TOLERANCE	UNITS	mm	KLS P/N:	L-KLS2-WRJ45-02
x.x ±0.30	SHEET SIZE	A4		
x.xx ±0.20	Draw:	Daniel	2018-07-10	NingBo KLS ELECTRONIC CO.,LTD.
x.xxx ±0.10	Check:	Daniel	2018-07-10	