

Push Button Switches

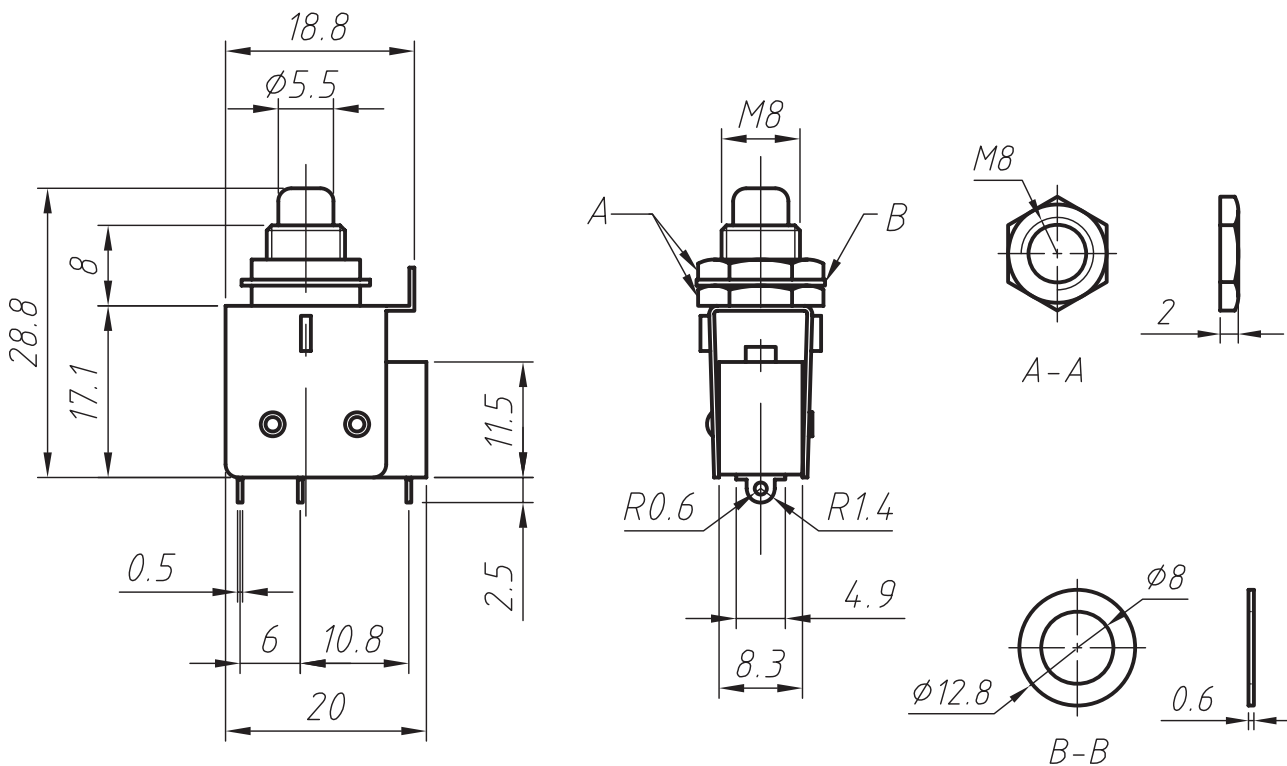
KLS7-KM1-1 Panel mount push button switch / single switch

Material:

Plastic parts material: PBT
Copper Material: Brass H62
Silver contact material: silver
Cadmium oxide AgCdO

Specification :

1. Rating: 3A 250V / 5A 125V
2. Contact R: $\leq 50\text{m}\Omega$
3. Insulation R: $\geq 100\text{M}\Omega$
4. Dielectric strength : 1500V ~ 2500V
5. Setting Temperature: -55%~120% dC
6. Electrical Life: 50000 Cycles
7. Machine Life: 100000 Cycles
8. Operation Force: 0.3N ~ 3.5N
9. Manual Soldering 300°C for 5s



ORDER INFORMATION

Product NO.: KLS7-KM1-1

Part Number

Single switch