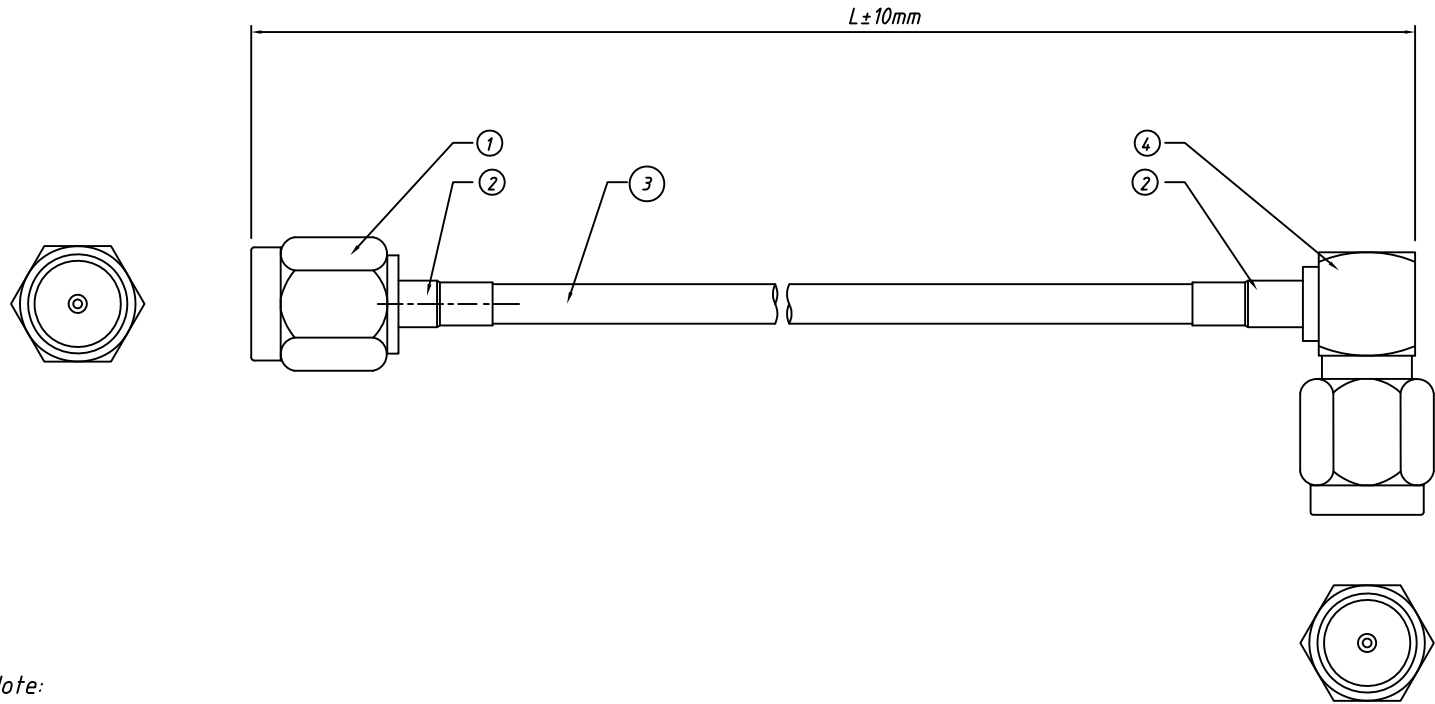


RoHS compliant



Note:

1: V.S.W.R: 1.5(0~3G), Max.

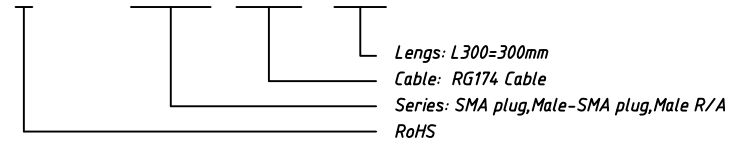
2: Wire surface shall have no dirt, broken.

3: Connector surface with coating, oxidation phenomenon.

4: Connector pins and insulator are in the same plane

Order Information

L- KLS1- RFCA27 - RG174 - L300



4	Connector	SMA plug, Male Right angle, for RG174	PCS	1
3	RF Cable	RG174 Cable, Black, OD2.7mm	mm	L
2	Heat-Shrink Tube	Ø2.5mm Heat-Shrink Tube, Block, L15mm	PCS	2
1	Connetor	SMA Plug, Male Straight, for RG174	PCS	1
No.	Name	Description	UNITS	Q'ty

		Description:	
		SMA Male to SMA Male R/A Cable	
PROJECTION		KLS P/N:	L-KLS1-RFCA27-xxxx
UNITS	mm		
SHEET SIZE	A4		
Draw:	Daniel	2018-06-21	NingBo KLS ELECTRONIC CO.,L TD.
Check:	Daniel	2018-06-21	