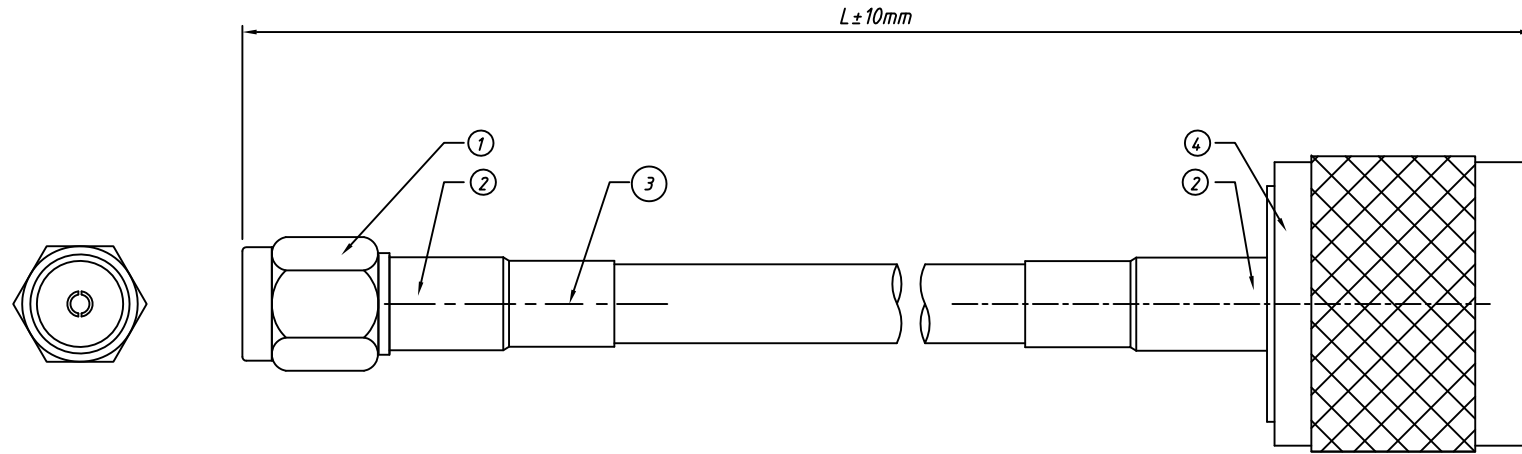


RoHS compliant

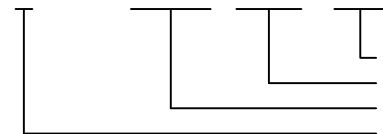


Note:

- 1: V.S.W.R: 1.5(0~3G), Max.
- 2: Wire surface shall have no dirt, broken.
- 3: Connector surface with coating, oxidation phenomenon.
- 4: Connector pins and insulator are in the same plane

Order Information

L- KLS1- RFCA25 - RG58 - L300



Lengs: L300=300mm  
 Cable: RG58 Cable  
 Series: RP SMA Male-N Male  
 RoHS

4	Connector	N-J,Male ,for RG58	PCS	1
3	RF Cable	RG58 Cable, Black,OD5.0mm	mm	L
2	Heat-Shrink Tube	φ5.0mm Heat-Shrink Tube,Block,L20mm	PCS	2
1	Connetor	RP SMA Plug,Male Straight,for RG58	PCS	1
No.	Name	Description	UNITS	Q'ty

		Description:	
		SMA Male to N Male Cable	
PROJECTION		KLS P/N:	L-KLS1-RFCA25-xxxx
UNITS	mm		
SHEET SIZE	A4		
Draw:	Daniel 2018-06-22		NingBo KLS ELECTRONIC CO.,L TD.
Check:	Daniel 2018-06-22		