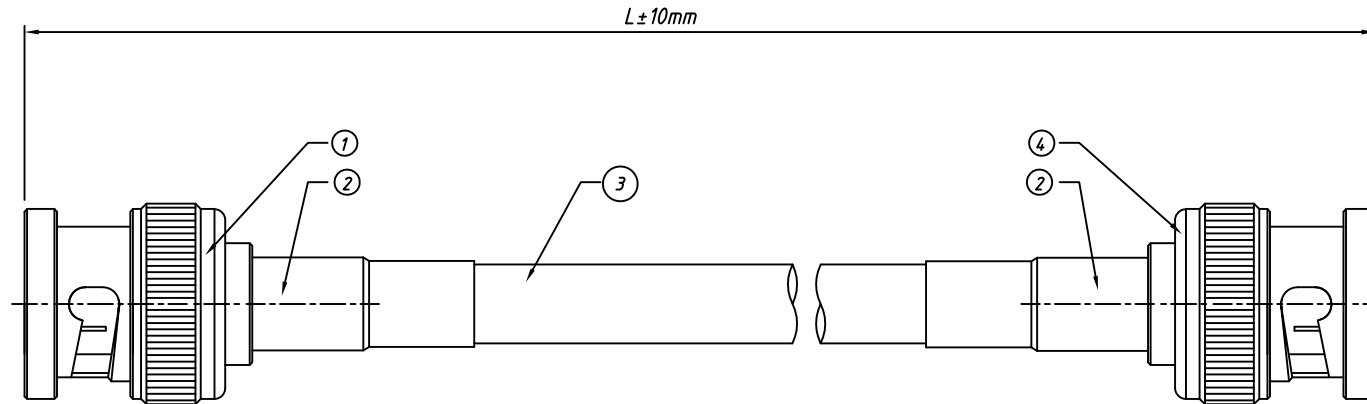


RoHS compliant



**Note:**

1: V.S.W.R: 1.5(0~3G), Max.

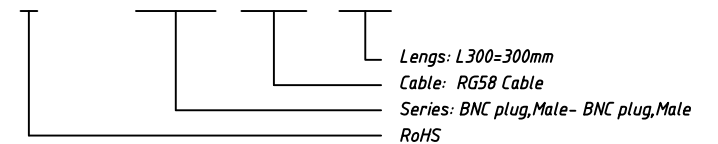
2: Wire surface shall have no dirt, broken.

3: Connector surface with coating, oxidation phenomenon.


4: Connector pins and insulator are in the same plane

**Order Information**

L- KLS1- RFCA14 - RG58 - L300



4	Connector	BNC Plug, Male Straight, for RG58	PCS	1
3	RF Cable	RG58 Cable, Brown, OD4.95mm	mm	L
2	Heat-Shrink Tube	Ø5.0mm Heat-Shrink Tube, Block, L15mm	PCS	2
1	Connetor	BNC Plug, Male Straight, for RG58	PCS	1
No.	Name	Description	UNITS	Q'ty

		Description:		
PROJECTION		BNC Male to BNC Male Cable		
UNITS	mm	KLS P/N:	L-KLS1-RFCA14-xxxx	
SHEET SIZE	A4	 <b>NingBo KLS ELECTRONIC CO., L TD.</b>		
Draw:	Daniel			2018-06-26
Check:	Daniel			2018-06-26