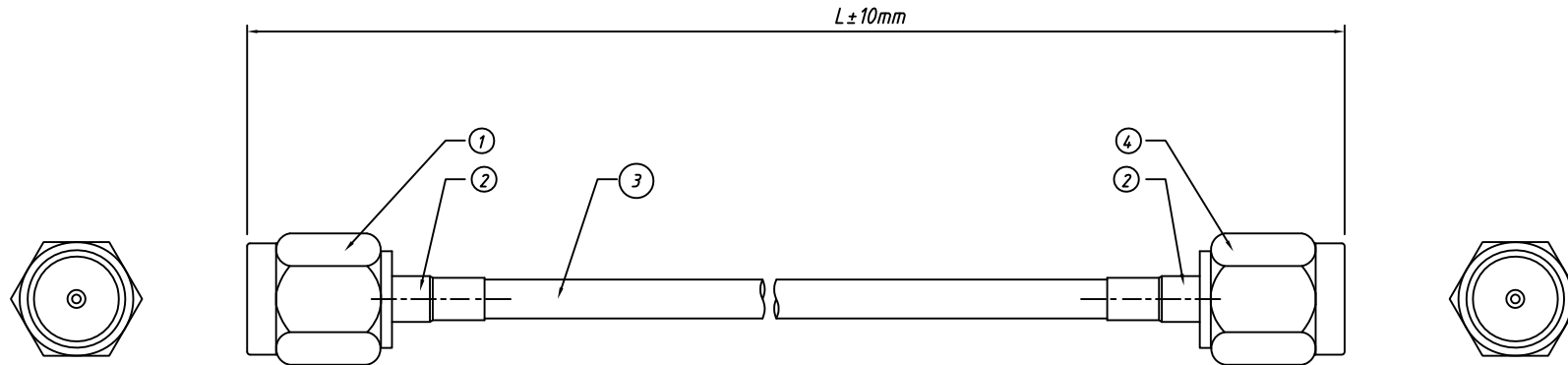


RoHS compliant

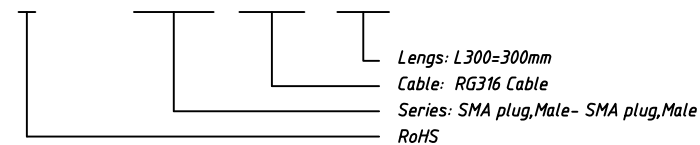


**Note:**


- 1: V.S.W.R: 1.5(0~3G), Max.
- 2: Wire surface shall have no dirt, broken.
- 3: Connector surface with coating, oxidation phenomenon.
- 4: Connector pins and insulator are in the same plane

**Order Information**

L- KLS1- RFCA10 - RG316 - L300



4	Connector	SMA Plug, Male Straight, for RG316	PCS	1
3	RF Cable	RG316 Cable, Brown, OD2.5mm	mm	L
2	Heat-Shrink Tube	Ø2.5mm Heat-Shrink Tube, Block, L15mm	PCS	2
1	Connetor	SMA Plug, Male Straight, for RG316	PCS	1
No.	Name	Description	UNITS	Q'ty

		Description:	
PROJECTION		SMA Male to SMA Male Cable	
UNITS	mm	KLS P/N:	L-KLS1-RFCA10-xxxx
SHEET SIZE	A4	 NingBo KLS ELECTRONIC CO., L TD.	
Draw:	Daniel 2018-06-21		
Check:	Daniel 2018-06-21		