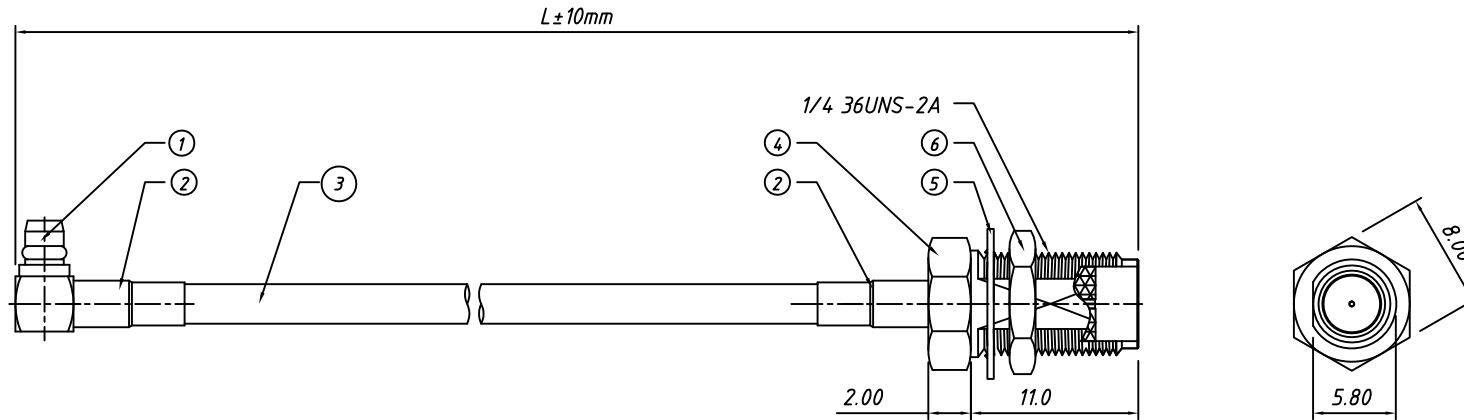


RoHS compliant

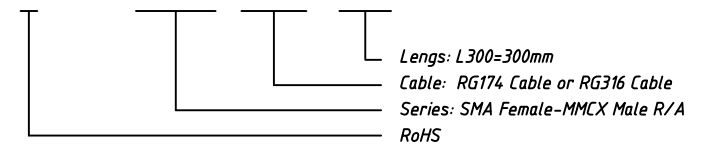


Note:

- 1: V.S.W.R: 1.5(0~3G), Max.
- 2: Wire surface shall have no dirt, broken.
- 3: Connector surface with coating, oxidation phenomenon.
- 4: Connector pins and insulator are in the same plane

Order Information

L- KLS1- RFCA01 - RG174 - L300



6	Nut	T1.8mm Nut, 1/4 36UNS-2A	PCS	1
5	Washers	T0.4mm Washers	PCS	1
4	Connector	SMA Jack, Female Straight, for RG174, with CAP(Red)	PCS	1
3	RF Cable	RG174 Cable, Black, OD2.7mm	mm	L
2	Heat-Shrink Tube	Ø2.5mm Heat-Shrink Tube, Block, L15mm	PCS	2
1	Connetor	MMCX Plug Right angle, for RG174 or RG316	PCS	1
No.	Name	Description	UNITS	Q'ty

		Description:	
		SMA Female to MMCX Male R/A Cable	
PROJECTION		KLS P/N:	L-KLS1-RFCA01-xxxx
UNITS	mm		
SHEET SIZE	A4		
Draw:	Daniel 2018-06-21		NingBo KLS ELECTRONIC CO.,L TD.
Check:	Daniel 2018-06-21		